

Dell PowerEdge  
C8000, C8220, C8220X,  
and C8000XD

# Getting Started With Your System

系统使用入门  
Mengaktifkan Sistem Anda  
はじめに  
시스템 시작하기

Regulatory Model: B10S, B05B, and B06B  
Regulatory Type: B10S001, B05B001,  
B06B001, and B06B002





Dell PowerEdge  
C8000, C8220, C8220X,  
and C8000XD

# Getting Started With Your System

**Regulatory Model: B10S, B05B, and B06B**

**Regulatory Type: B10S001, B05B001,  
B06B001, and B06B002**



# Notes, Cautions, and Warnings



**NOTE:** A NOTE indicates important information that helps you make better use of your computer.



**CAUTION:** A CAUTION indicates potential damage to hardware or loss of data if instructions are not followed.



**WARNING:** A WARNING indicates a potential for property damage, personal injury, or death.

---

**Information in this publication is subject to change without notice.**

**© 2013 Dell Inc. All rights reserved.**

Reproduction of these materials in any manner whatsoever without the written permission of Dell Inc. is strictly forbidden.

Trademarks used in this text: Dell™, the DELL logo, Dell Precision™, OptiPlex™, Latitude™, PowerEdge™, PowerVault™, PowerConnect™, OpenManage™, EqualLogic™, KACE™, FlexAddress™ and Vostro™ are trademarks of Dell Inc. Intel®, Pentium®, Xeon®, Core™, Celeron® and Xeon Phi™ are registered trademarks of Intel Corporation in the U.S. and other countries. Microsoft®, Windows®, Windows Server®, MS-DOS® and Windows Vista® are either trademarks or registered trademarks of Microsoft Corporation in the United States and/or other countries. Red Hat® and Red Hat® Enterprise Linux® are registered trademarks of Red Hat, Inc. in the United States and/or other countries. Novell® is a registered trademark and SUSE™ is a trademark of Novell Inc. in the United States and other countries. Oracle® is a registered trademark of Oracle Corporation and/or its affiliates. Citrix®, Xen®, XenServer® and XenMotion® are either registered trademarks or trademarks of Citrix Systems, Inc. in the United States and/or other countries. VMware®, Virtual SMP®, vMotion®, vCenter®, and vSphere® are registered trademarks or trademarks of VMware, Inc. in the United States or other countries. NVIDIA and Tesla™ are trademarks and/or registered trademarks of NVIDIA Corporation. Ubuntu is a registered trademark of Canonical Ltd.

Other trademarks and trade names may be used in this publication to refer to either the entities claiming the marks and names or their products. Dell Inc. disclaims any proprietary interest in trademarks and trade names other than its own.

**Regulatory Model: B10S, B05B, and B06B**

**Regulatory Type: B10S001, B05B001, B06B001, and B06B002**

**2013 - 07 P/N R8CHO Rev. A04**



### **CAUTION: Restricted Access Location**

This server is intended for installation only in restricted access locations as defined where both these conditions apply:

- Access can only be gained by service persons or by users who have been instructed about the reasons for the restrictions applied to the location and about any precautions that shall be taken.
- Access is through the use of a tool or lock and key, or other means of security, and is controlled by the authority responsible for the location.

## Installation and Configuration

### **WARNING: Before performing the following procedure, review and follow the safety instructions that came with the system.**

The PowerEdge C8000 server enclosure is a flexible and scalable 4U rackmount chassis. PowerEdge C8000 features ten vertically aligned sled bays that support a full sled or a mixed sled enclosure. A full sled enclosure can include up to five C8220X double-wide compute sleds, ten C8220 single-wide compute sleds, or five C8000XD storage sleds. A mixed sled enclosure can support a mixture of differing sled types.

## Recommended Tools

Before you begin the installation tasks, ensure that you have the following items:

- #1 Phillips screwdriver
- #2 Phillips screwdriver
- Wrist grounding strap connected to ground
- Antistatic mat or antistatic foam








## Unpacking the System

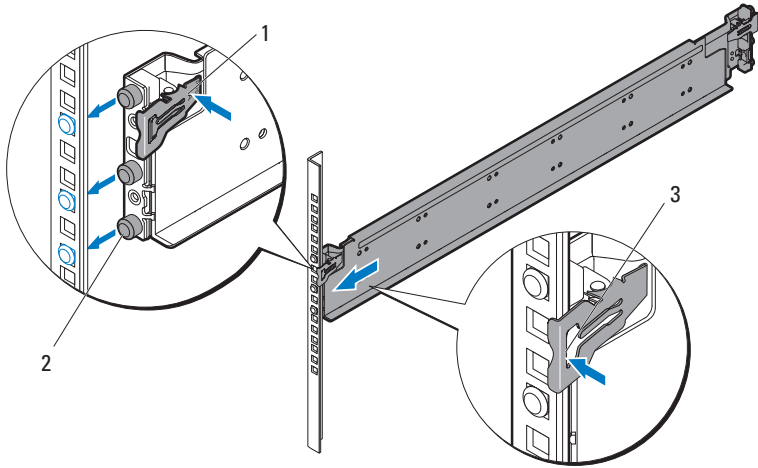
### **WARNING: Whenever you need to lift the system, get others to assist you. To avoid injury, do not attempt to lift the system by yourself.**

### **CAUTION: Wear a wrist grounding strap when handling system components.**

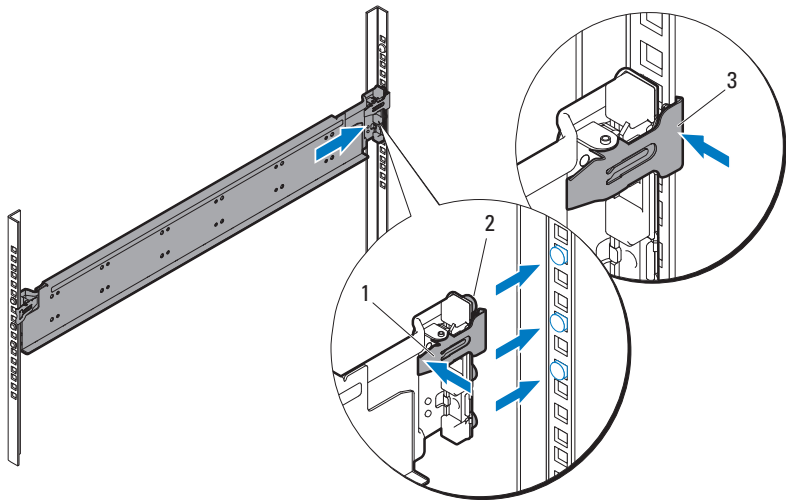
- 1 Prepare an antistatic mat or antistatic foam to set the PowerEdge C8000 server enclosure on.
- 2 Unpack and place your enclosure on an antistatic mat or antistatic foam.
- 3 Save the cardboard containers for future use.

# Installing the Tool-Less Rail Solution

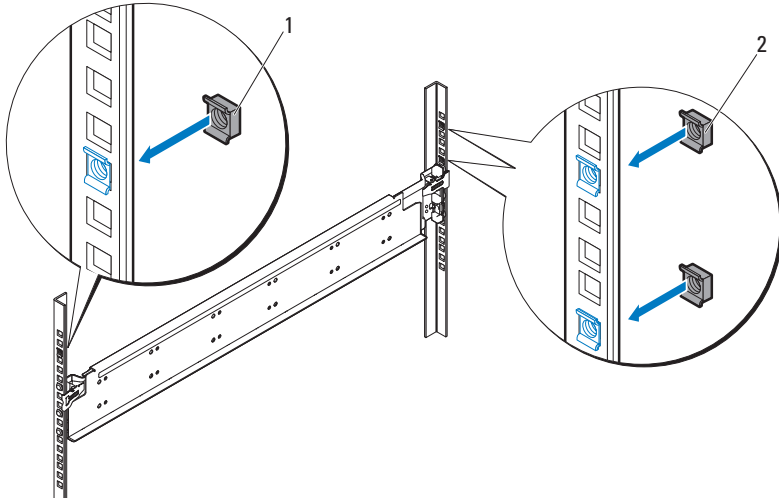
-  **WARNING:** Whenever you need to lift the system, get others to assist you. To avoid injury, do not attempt to lift the system by yourself.
  -  **WARNING:** The system is not fixed to the rack or mounted on the rails. To avoid personal injury or damage to the system, you must adequately support the system during installation and removal.
  -  **WARNING:** To avoid a potential electrical shock hazard, a third wire safety grounding conductor is necessary for the rack installation. The rack equipment must provide sufficient airflow to the system to maintain proper cooling.
  -  **CAUTION:** The rail pegs must be flush with the rack posts to install properly.
  -  **NOTE:** The rack rails are marked LEFT and RIGHT. The rail marked "LEFT" attaches to the left rack posts and the rail marked "RIGHT" attaches to the right rack posts when facing the front of the rack.
- 1 Determine where to place the rails in the rack. Make sure there is enough space in the rack for the 4U chassis. In a standard rack, the height of a 4U chassis will span 12 rack post holes.
  - 2 Use the marking indicated on the left and right sides of the rail to orient the rail correctly to the rack posts.
  - 3 Attach the left rail and stopping bracket to the rack.
    - a Position left rail marked "LEFT" to align with its mounting holes on the rack posts.
    - b Press and hold the rail release button ❶ to open the latch on the front end of the left rail.
    - c Align the three pegs ❷ with the mounting holes on the front rack post.
    - d Release the button ❸ when it engages to the front rack post.
-  **NOTE:** Make sure the rail release button is engaged correctly.
  -  **NOTE:** The rails can be used in both square-hole and round-hole racks.



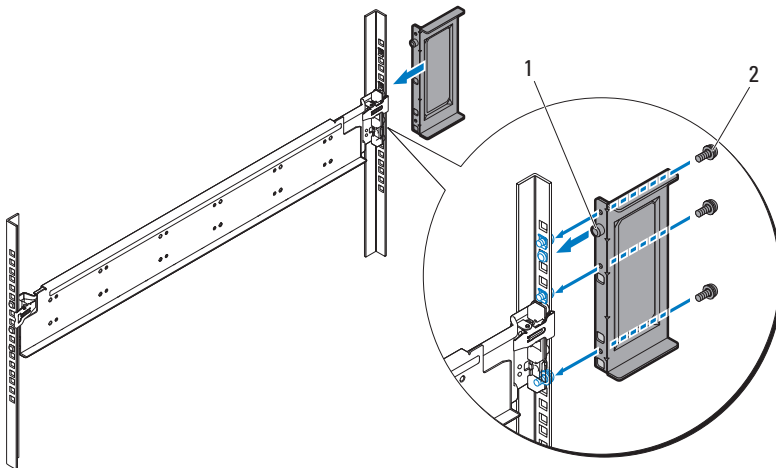
- e Press and hold the rail release button ❶ to open the latch on the back end of the rail.
- f Align the three pegs ❷ with the mounting holes on the back rack post.
- g Release the button ❸ when it engages to the back rack post.



- h Install one cage nut **1** to the front rack post and two cage nuts **2** to the back rack post.



- i Align the stopping bracket **1** to the back rack post and secure with the three 10-32 screws **2**. Apply 35 in-lbs of torque to the screws.



- 4 Attach the right rail and stopping bracket to the rack.

Use the same procedure to install the right rail and stopping bracket to the right rack posts.



**NOTE:** To remove the rails, press and hold on the rail release button on the end piece midpoint and unseat each rail.

## Installing the System

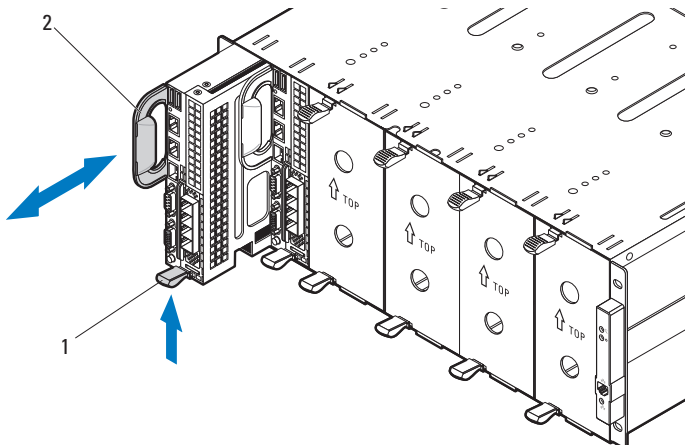
This section includes the following subsections:

- Emptying the System
- Install the System Into the Rack
- Sled Bay Numbering
- Populating the System
- Install the External PDU Into the Rack
- Rack Configuration

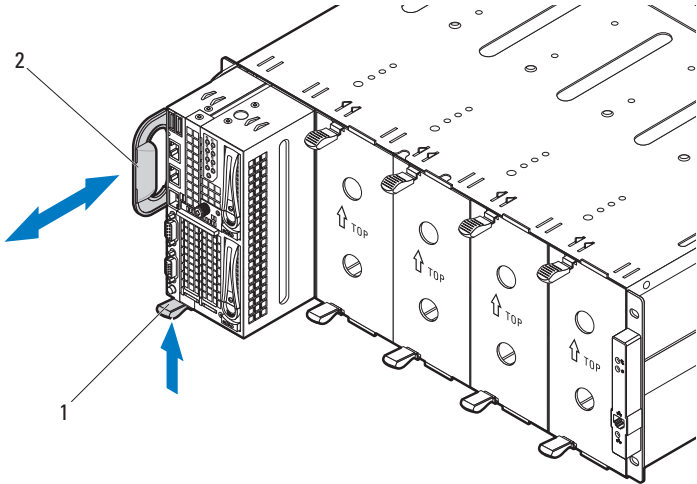
### Emptying the System

Before you install a PowerEdge C8000 server enclosure into a rack, remove all sled modules from the enclosure to reduce system weight and avoid injury. Place all sled modules on an antistatic mat or antistatic foam.

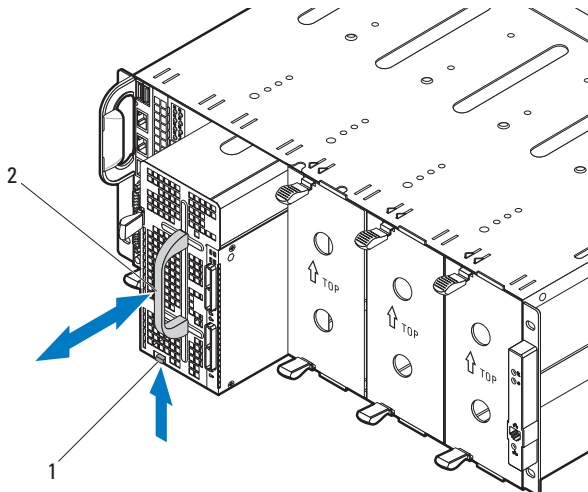
- To remove a C8220 single-wide compute sled, pull up on the release latch ❶ and using the handle ❷ slide the sled out of the enclosure.



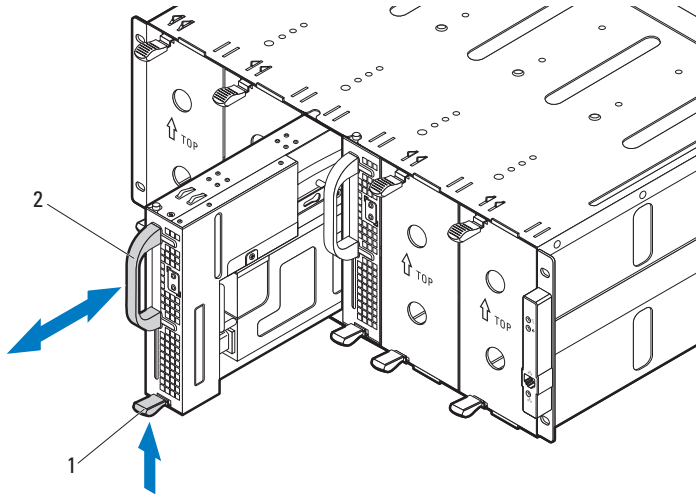
- To remove a C8220X double-wide compute sled, pull up on the release latch **1** and using the handle **2** slide the sled out of the enclosure.



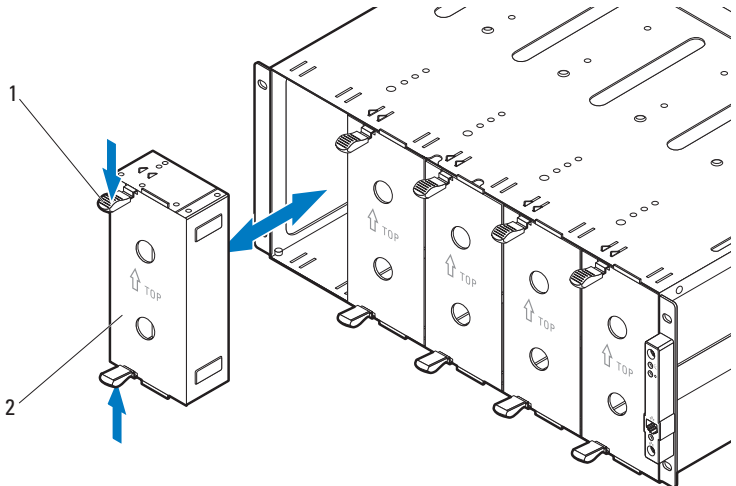
- To remove a C8000XD storage sled, pull and hold the release tab **1** and using the handle **2** slide the sled out of the enclosure.



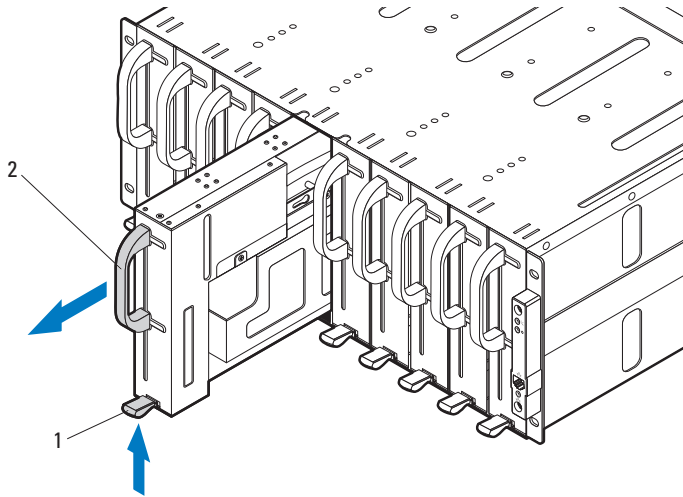
- To remove a power sled, pull up on the release latch **1** and using the handle **2** slide the sled out of the enclosure.



- To remove a double-wide sled blank, squeeze and hold the release latches **1** and pull the sled blank out of the enclosure **2**.



- To remove a single-wide sled blank, pull up on the release latch **1** and using the handle **2** slide the blank out of the enclosure.

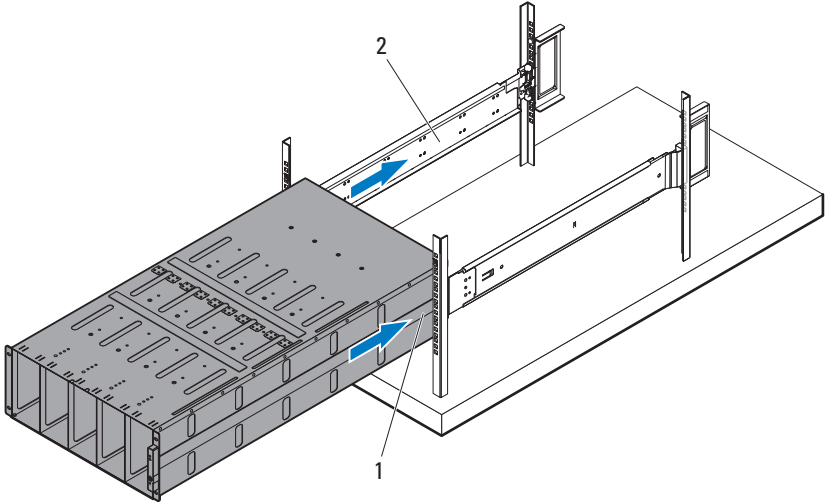




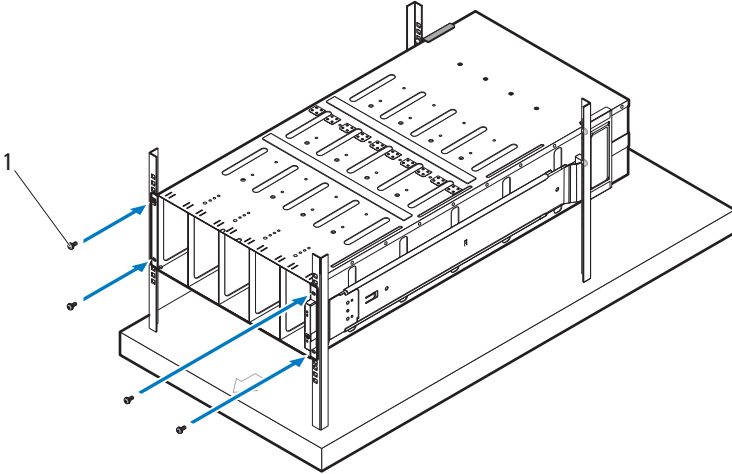
## Install the System Into the Rack

**⚠ WARNING:** Whenever you need to lift the system, get others to assist you. To avoid injury, do not attempt to lift the system by yourself.

- 1 With assistance, align the server enclosure ❶ with the rails ❷ and push it fully into the rack.

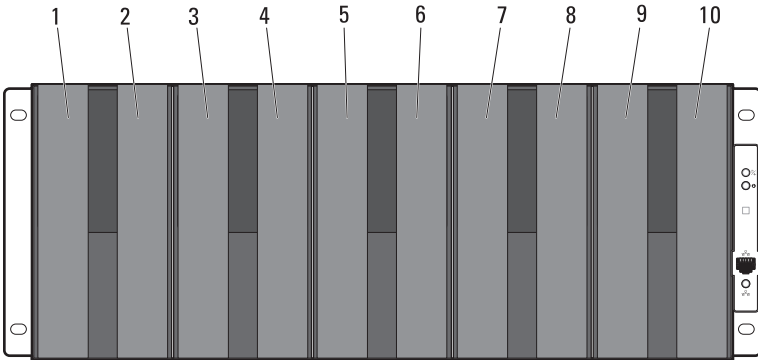


- 2 Secure the front of the enclosure to the left and right rack posts with the four 10-32 screws **1**.



## Sled Bay Numbering

The PowerEdge C8000 server enclosure is divided into ten vertical bays. A C8220 single-wide compute sled occupies one sled bay in the server enclosure and a C8220X double-wide compute sled or C8000XD storage sled occupies two sled bays in the server enclosure. When installing a sled module into the server enclosure, you should install the sled module in sled bay 1 first, then work toward the right of the enclosure.



Sled module type	Sled Bays									
	1	2	3	4	5 <sup>a</sup>	6 <sup>a</sup>	7	8	9	10
C8220 single-wide compute sled	√	√	√	√	√	√	√	√	√	√
C8220X double-wide compute sled	√		√		√		√		√	
C8000XD storage sled <sup>b</sup>	√		√		√		√		√	
Power sled <sup>c</sup>	—	—	—	—	√	√	—	—	—	—

a. Sled bays 5 and 6 support installation of two power sleds or two C8220 compute sleds or a combination of the two sled types.

b. For server enclosure with internal power source, install C8000XD storage sleds in sled bays 3 to 10 only.

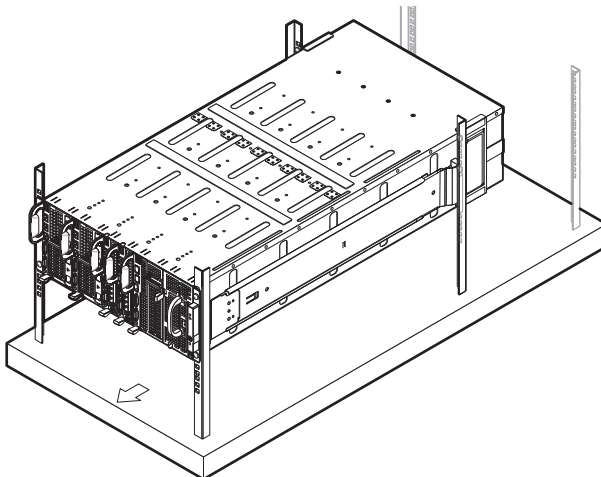
c. Install power sleds in sled bays 5 and 6 only.

## Populating the System

- ▲ **CAUTION:** To ensure proper operation and cooling, all bays in the enclosure must be populated at all times with either a sled or with a sled blank.
- ▲ **CAUTION:** To maintain proper system cooling, all empty hard-drive slots must have hard-drive blanks installed.

Install all components into the PowerEdge C8000 server enclosure.

- To install a C8220 single-wide compute sled, slide the new sled into the enclosure until the sled is fully seated and the release latch snaps into place.
- To install a C8220X double-wide compute sled, slide the new sled into the enclosure until the sled is fully seated and the release latch snaps into place.
- To install a C8000XD storage sled, slide the new sled into the enclosure until the sled is fully seated and the release tab snaps into place.
- To install a power sled, slide the new sled into the enclosure until the sled is fully seated and the release latch snaps into place.
- To install a double-wide sled blank, slide the blank into the enclosure until it is fully seated and the release latches snap into place.
- To install a single-wide sled blank, slide the blank into the enclosure until it is fully seated and the release latch snaps into place.



## Install the External PDU Into the Rack

**!** **WARNING:** Whenever you need to lift the system, get others to assist you. To avoid injury, do not attempt to lift the system by yourself.

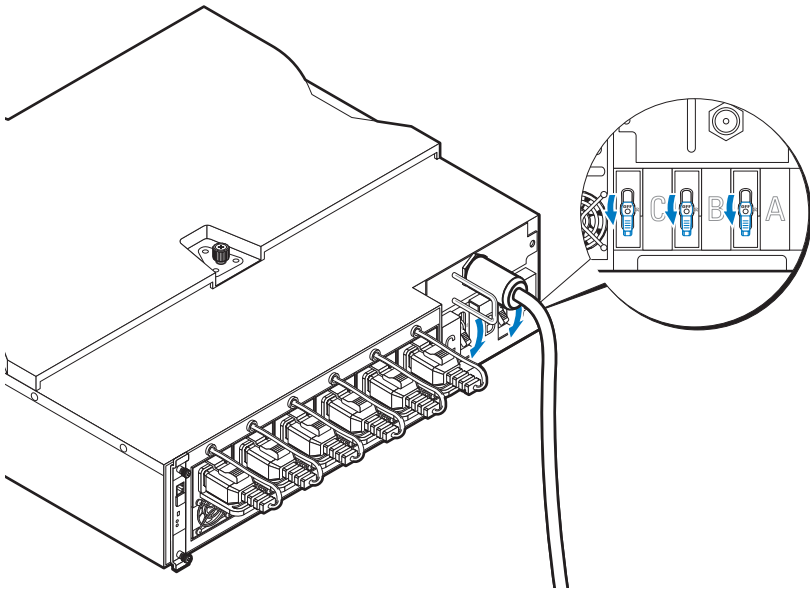
**📎** **NOTE:** The PDU device illustrations are provided as reference only. See PDU device documentation for more information about the PDU device.

**📎** **NOTE:** The PDU mounting brackets are marked L and R. The rail marked "L" attaches to the left of the PDU device and the rail marked "R" attaches to the right of the PDU device.

**!** **WARNING:** Do not connect or disconnect power cables to the PDU device while the PDU is energized.

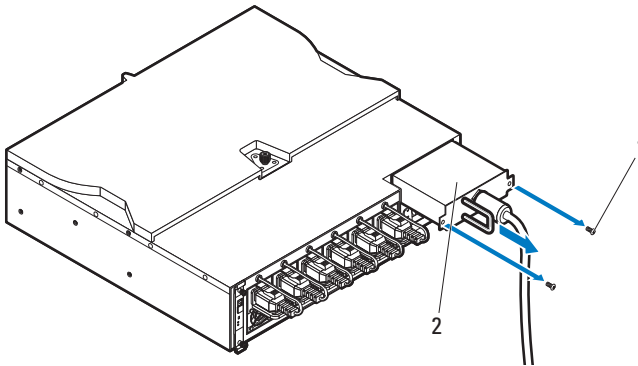
**!** **WARNING:** Turn off the PDU breaker switches to avoid potentially serious or fatal electric shock.

- 1 Turn off the PDU breaker switches by moving the A, B, and C breaker switches to the "OFF" position.

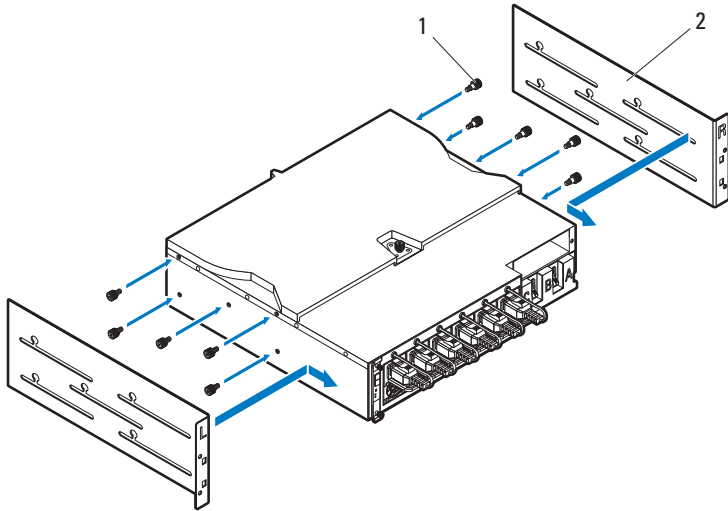


- 2 Disconnect the PDU from the power source.

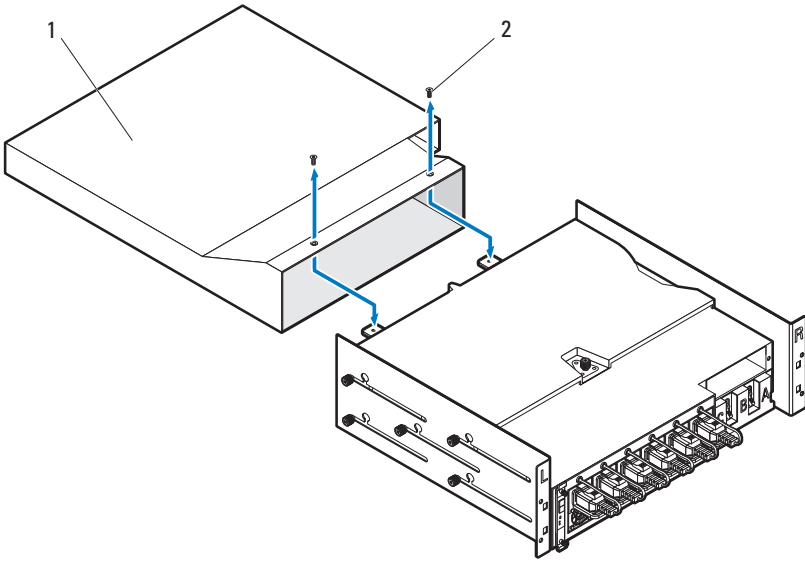
- 3** Remove the power cable interface box (PCIB) module.
  - a** Remove the two screws **1** securing the PCIB module.
  - b** Grasp the PCIB handle and pull it out of its bay **2**.



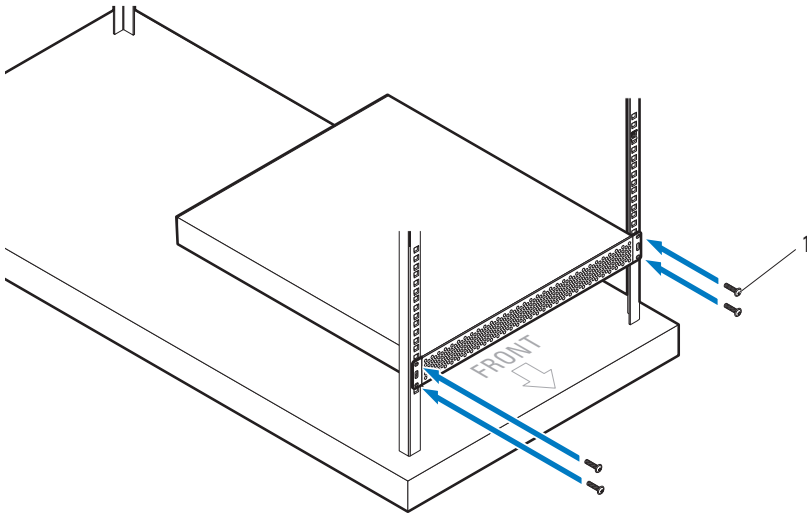
- 4** Attach the mounting brackets to the sides of the PDU.
  - a** Affix the ten screws **1** to the left and right sides of the PDU.
  - b** Position the left mounting bracket marked "L" to align the screw holes with the screws on the PDU and slide the mounting bracket toward the back of the PDU until it locks into place **2**.
  - c** Position the right mounting bracket marked "R" to align the screw holes with the screws on the PDU and slide the mounting bracket toward the back of the PDU until it locks into place **2**.



- 5** Install the snorkel to the PDU.
  - a** Remove the air duct from the snorkel.
  - b** Align the air duct ❶ with the front of the PDU.
  - c** Secure the air duct to the front of the PDU with the two screws ❷.

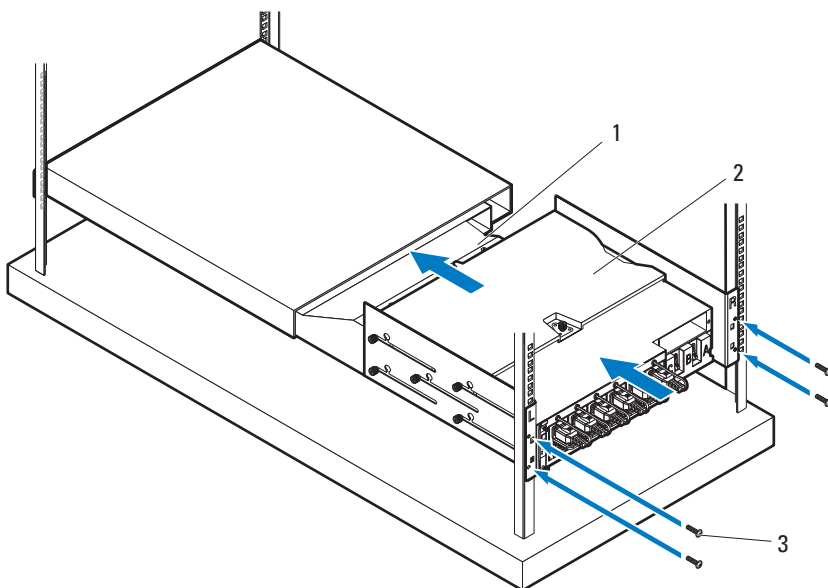


- d Align the snorkel with the rack posts.
- e Secure the snorkel to the rack posts with the four screws ❶.






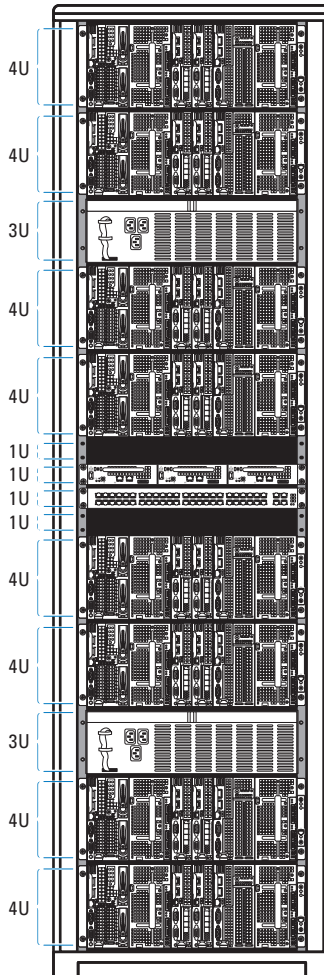
- 6 With assistance, slide the air duct ① into the snorkel and secure the back of the PDU ② to the rack posts with four screws ③.



## Rack Configuration

The following illustration shows a sample rack configuration with PowerEdge C8000 server enclosures, power distribution unit (PDU) devices, switch and router in a 42U rack.

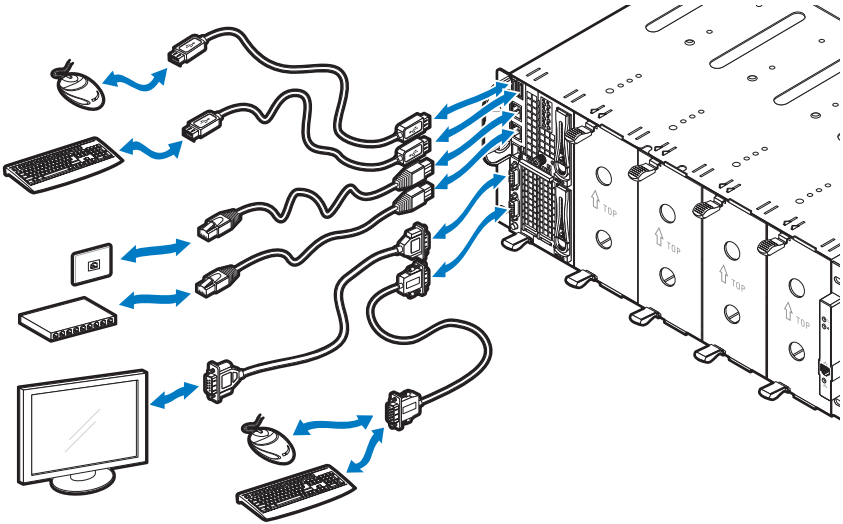
 **NOTE:** The rack configuration illustration is provided as reference only.



## Connecting the Keyboard, Mouse, and Monitor

Connect a keyboard, mouse, and monitor to the compute sled (optional).

The following figure shows a sample keyboard, mouse, and monitor connection to a C8220X double-wide compute sled.

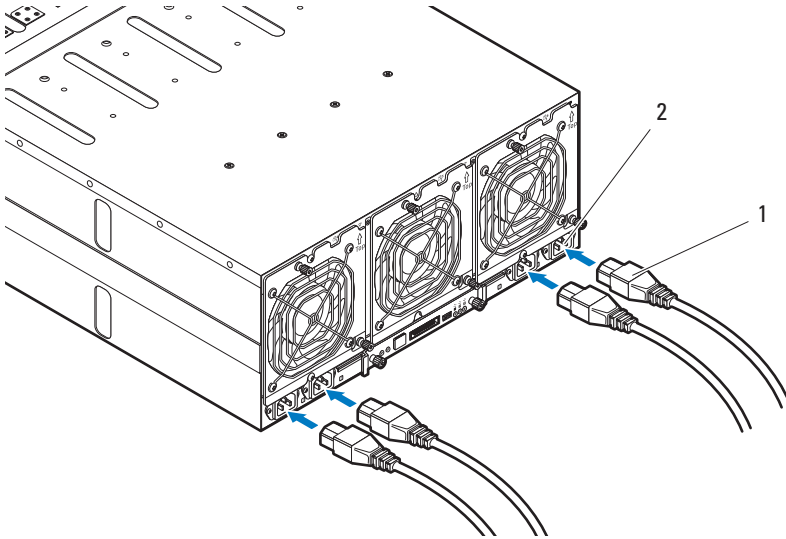


# Connecting the Power Cables

This section includes instructions on how to connect the server enclosure with internal or external power source to an external PDU.

## Server Enclosure with Internal Power Source

- 1 On the back of the enclosure, connect the power cables ❶ to the AC power sockets ❷.

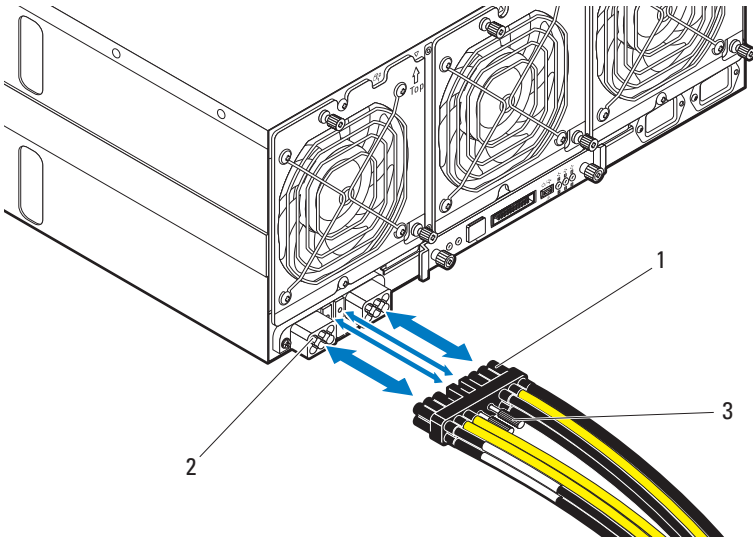


- 2 Plug the other end of the power cables into a grounded electrical outlet or a separate power source such as an uninterruptible power supply or the PDU.

## Server Enclosure with External Power Source

**⚠ WARNING:** Make sure power is turned off on all devices before making connections.

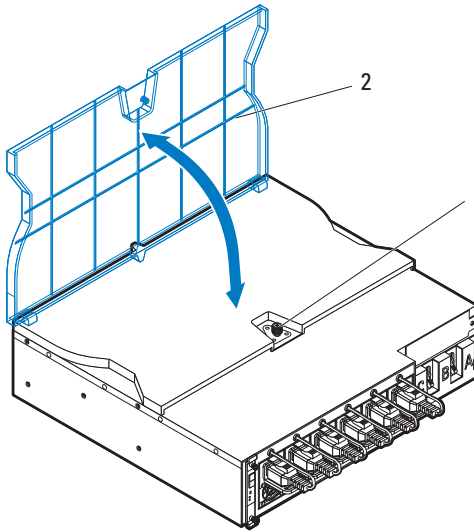
- 1 On the back of the enclosure, connect the power cable **1** to the DC power socket **2**.
- 2 Tighten the two center screws **3** on the cable to secure the connection.



# Connecting the Server Enclosure to a Rack PDU

**⚠ WARNING:** Do not connect or disconnect power cables to the PDU device while the PDU is energized. Turn off the PDU breaker switches to avoid potentially serious or fatal electrical shock. Move the PDU A, B, and C breaker switches to the "OFF" position.

- 1 Unlock the cable cover ❶.
- 2 Rotate the cover ❷ back and away from the PDU.

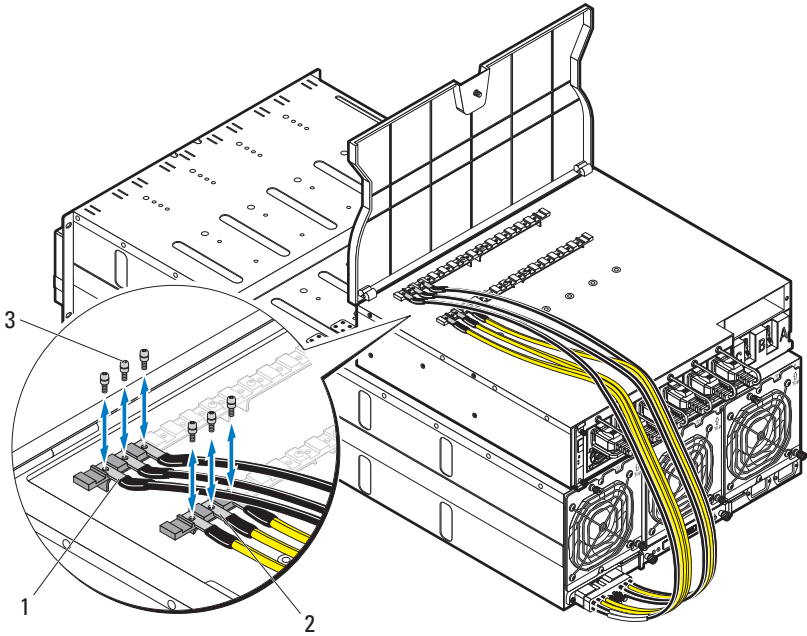


- 3 Attach the server enclosure(s) power cables to the PDU power bus bar.

**🔧 NOTE:** The PDU device supports a maximum of five PowerEdge C8000 server enclosures depending on the system configuration and power budget.

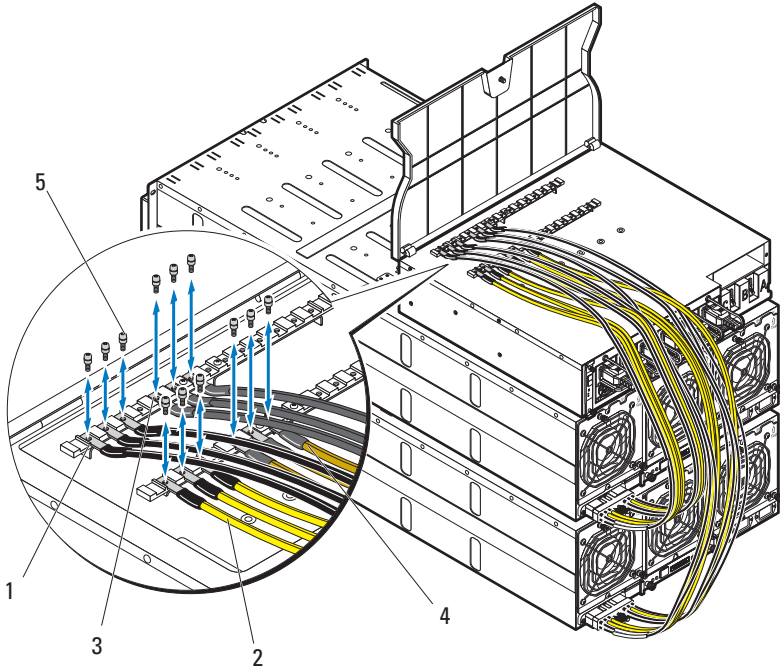
To connect a single server enclosure to the PDU:

- a Secure the three black power cable lugs ❶ to the top power bus bar (GND) with the three screws ❸.
- b Secure the three yellow power cable lugs ❷ to the bottom power bus bar with the three screws ❸.



To connect multiple server enclosures to the PDU:

- a** Secure the first server enclosure's three black power cable lugs **1** to the top power bus bar (GND) with the three screws **5**.
- b** Secure the first server enclosure's three yellow power cable lugs **2** to the bottom power bus bar with the three screws **5**.
- c** Secure the second server enclosure's three black power cable lugs **3** to the top power bus bar (GND) with the three screws **5**.
- d** Secure the second server enclosure's three yellow power cable lugs **4** to the bottom power bus bar with the three screws **5**.



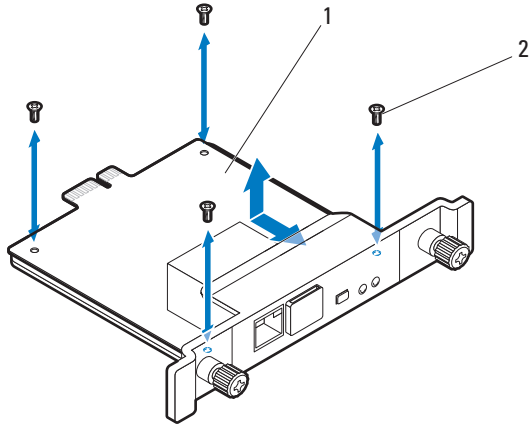
**NOTE:** Ensure that all power cords are connected properly and securely to the PDU power bus bars.

- 4 Close the cable cover and secure to the PDU.

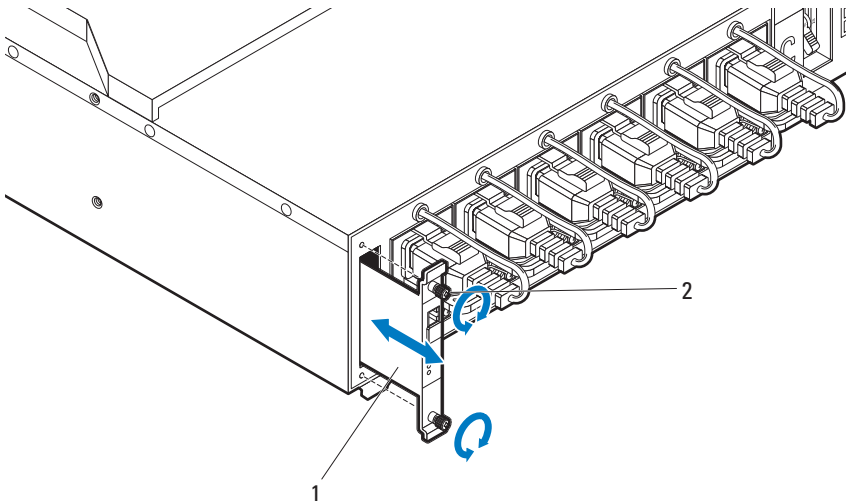


## Connecting the PDU to the Network

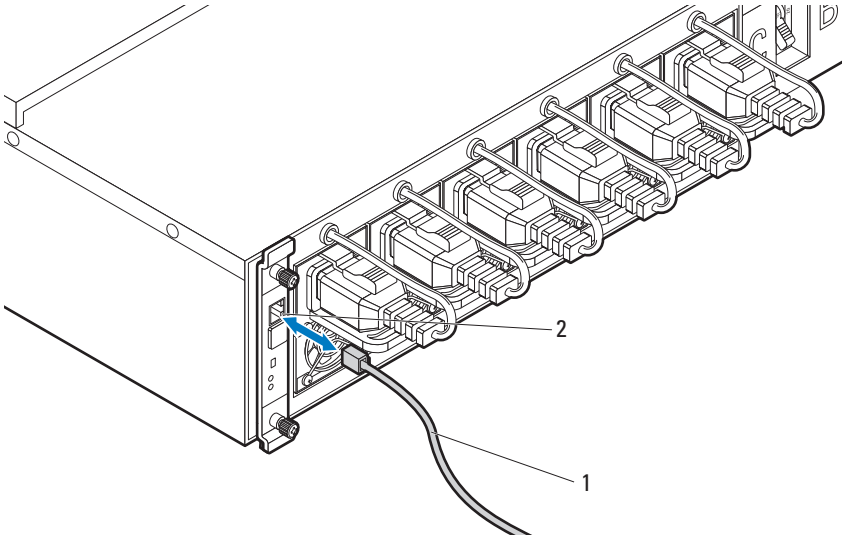
- 1** Install the power management controller (PMC) into the PDU and connect to your network.
  - a** Secure the PMC board **1** to the PMC tray with the four screws **2**.



- b** Insert the PMC assembly **1** to the PDU and secure with the two thumbscrews **2**.



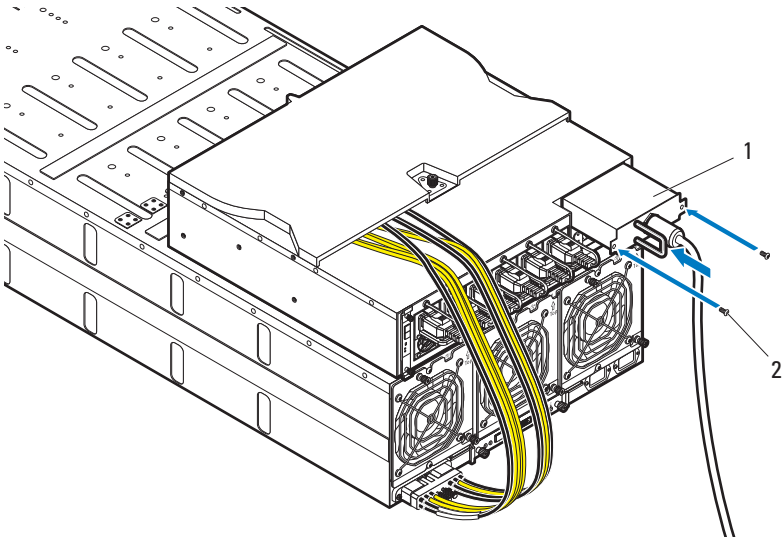
- c Connect the network cable ❶ to the NIC port ❷.



# Powering Up the Systems

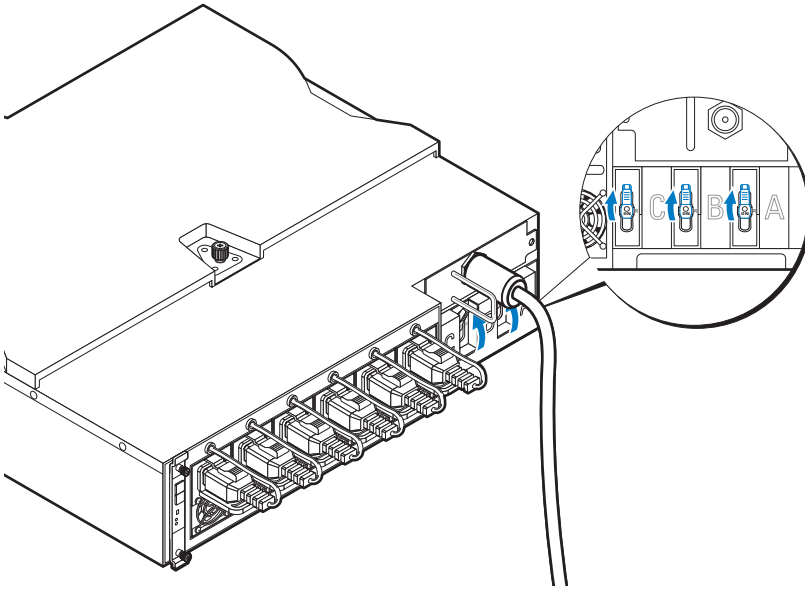
## Turning on the PDU

- 1** Install the PCIB module into the PDU.
  - a** Insert the PCIB module into the PCIB bay **1**.
  - b** Secure the PCIB module to the PDU with the two screws **2**.




- 2** Connect the PDU to the power source.

- 3 Turn on the PDU breaker switches by moving the A, B, and C breaker switches to the "ON" position.



- 4 To enable monitoring of the PDU device over the network, turn on the PMC board by pressing the power button, located on the PMC board. When power is applied to the PDU, the power/status indicator on the front of the PMC board will light up green.

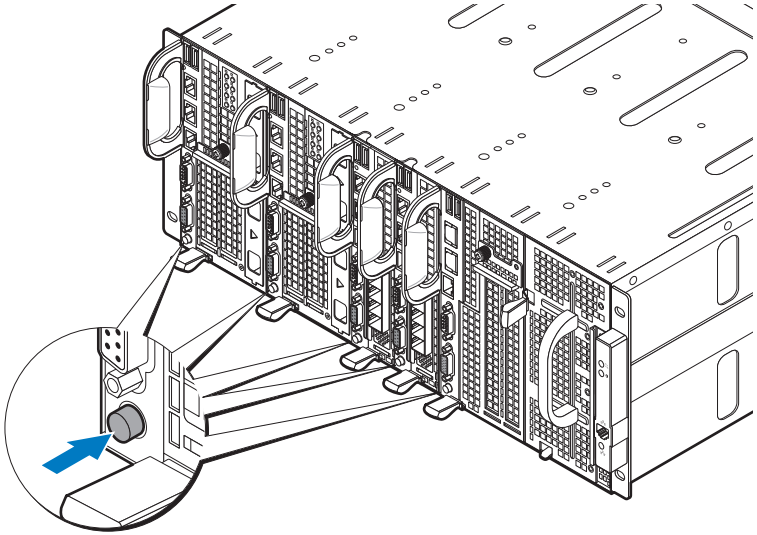
 **NOTE:** The PMC board and PDU device illustrations in this guide are provided as reference only. See PDU device documentation for more information about the PMC board and PDU device.

## Turning On the Server Enclosure

When connected to a power source, main power is automatically distributed to the server enclosure. After the server enclosure is powered up the power/event indicator on the front of the enclosure will light up green and main power is applied to all sleds in the enclosure.

## Turning On the Sleds

To turn on the C8220 or C8220X compute sled, press the power button on each sled, or power on the sled using the baseboard management controller. When power is applied to the sled, the power-on indicator on front of the sled will light up green. When installed into the server enclosure, the C8000XD storage sled automatically powers on. See Using the Baseboard Management Controller Guide at [dell.com/support/manuals](http://dell.com/support/manuals).



# Complete the Operating System Setup

To install an operating system for the first time, see the installation and configuration documentation for your operating system. Be sure the operating system is installed before installing hardware or software not purchased with the system.

## Supported Operating Systems

- Citrix XenServer Enterprise Edition 5.6
- Citrix XenServer Enterprise Edition 6.1
- Microsoft Windows Server 2008 Enterprise Edition Release 2 (64-bit)
- Microsoft Windows Server 2012
- Microsoft Windows HPC 2008 Release 2
- Microsoft HyperV
- Red Hat Enterprise Linux 6.1 (64-bit)
- Red Hat Enterprise Linux 6.3 (64-bit)
- SUSE Linux Enterprise Server 11 SP2 (64-bit)
- Ubuntu 12.04.1 LTS 64-bit
- VMware ESXi 5.0
- VMware ESXi 5.0 U1
- VMware ESXi 5.0 U2
- VMware ESX 5.1
- VMware ESXi 5.1 U1



**NOTE:** For the latest information on supported operating systems, see [dell.com/ossupport](http://dell.com/ossupport).

# Other Information You May Need



**WARNING:** See the safety and regulatory information that shipped with your system. Warranty information may be included within this document or as a separate document.

- The PowerEdge C8000 Hardware Owner's Manual for information about the server enclosure features, troubleshooting, and component replacement. This document is available at [dell.com/support/manuals](http://dell.com/support/manuals).
- The PowerEdge C8220 Hardware Owner's Manual for information about system features, troubleshooting, and component replacement. This document is available at [dell.com/support/manuals](http://dell.com/support/manuals).
- The PowerEdge C8220X Hardware Owner's Manual for information about system features, troubleshooting, and component replacement. This document is available at [dell.com/support/manuals](http://dell.com/support/manuals).
- The PowerEdge C8000XD Hardware Owner's Manual for information about system features, troubleshooting, and component replacement. This document is available at [dell.com/support/manuals](http://dell.com/support/manuals).
- The Baseboard Management Controller Guide provides information about installing and using the systems management utility. This document is available at [dell.com/support/manuals](http://dell.com/support/manuals).



**NOTE:** Always check for updates and read the updates first because they often supersede information in other documents.

# NOM Information

## PowerEdge C8000

The following information is provided on the device described in this document in compliance with the requirements of the official Mexican standards (NOM):

Importer:	Dell Inc. de México, S.A. de C.V. Paseo de la Reforma 2620-11° Piso Col. Lomas Altas 11950 México, D.F.
Model number:	B10S
Supply voltage:	200–240 V CA (with four 1400 W AC Power Supply Unit) or 12 V DC (with external PDU)
Frequency:	50–60 Hz
Current consumption:	9 A (x4) (with four 1400 W AC Power Supply Unit) or 480 A (with external PDU)

## PowerEdge C8220

The following information is provided on the device described in this document in compliance with the requirements of the official Mexican standards (NOM):

Importer:	Dell Inc. de México, S.A. de C.V. Paseo de la Reforma 2620-11° Piso Col. Lomas Altas 11950 México, D.F.
Model number:	B05B
Supply voltage:	12 V DC
Current consumption:	42 A



## PowerEdge C8220X

The following information is provided on the device described in this document in compliance with the requirements of the official Mexican standards (NOM):

Importer:	Dell Inc. de México, S.A. de C.V. Paseo de la Reforma 2620-11° Piso Col. Lomas Altas 11950 México, D.F.
Model number:	B06B
Supply voltage:	12 V DC
Current consumption:	92 A

## PowerEdge C8000XD

The following information is provided on the device described in this document in compliance with the requirements of the official Mexican standards (NOM):

Importer:	Dell Inc. de México, S.A. de C.V. Paseo de la Reforma 2620-11° Piso Col. Lomas Altas 11950 México, D.F.
Model number:	B06B
Supply voltage:	12 V DC
Current consumption:	30 A

# Technical Specifications

---

## Compute Sled Specifications (Per Sled)

---

### Processor

---

Processor type Two Intel Xeon E5 series processors

Processor socket Two LGA 2011

---

### System chipset

---

Platform Controller Hub Intel X79

Network Controller Intel i350-BT2

Video Controller Aspeed AST2300

---

### Memory

---

Memory type DDR3 UDIMM, RDIMM, LRDIMM

Memory module sockets 16 DIMM sockets

Memory module capacities 2 GB, 4 GB, 8 GB, 16 GB, and 32 GB RDIMMs

Minimum RAM 512 MB UDIMM; 1 GB RDIMM

Maximum RAM 128 GB UDIMMs; 256 GB RDIMMs

No. of memory channels (Per CPU) 4 channels

---

### Storage device

---

PowerEdge C8220 single-wide compute sled

- 3 Gb/s SATA port x 4
- 6 Gb/s SATA port x 2
- 2.5-inch SATA HDDs x2

PowerEdge C8220X double-wide compute sled

- 3 Gb/s SATA port x 4
- 6 Gb/s SATA port x 2
- 2.5-inch SATA HDDs x 2
- 2.5-inch SAS/SATA HDDs x 8 or 3.5-inch SAS/SATA HDDs x 4
- 2.5-inch hot-plug SAS/SATA HDDs x 2 (PowerEdge C8220X with front-access 2.5-inch hot-plug hard drives)

---

**Compute Sled Specifications (Per Sled)(continued)**

---

**Graphics card**

---

PowerEdge C8220X double-wide compute sled	PowerEdge C8220X with GPGPU/MIC <ul style="list-style-type: none"><li>• NVIDIA Tesla M2090</li><li>• NVIDIA Tesla K20</li><li>• Intel Xeon Phi 5110P</li></ul>
---	--

---

**Expansion slots**

---

PowerEdge C8220 single-wide compute sled	<ul style="list-style-type: none"><li>• One x16 PCI Express 2.0 slot</li><li>• One x8 mezzanine slot</li></ul>
PowerEdge C8220X double-wide compute sled	<ul style="list-style-type: none"><li>• Two x8 PCI Express 3.0 slot (x16 connector type)</li><li>• One x8 mezzanine slot</li></ul>
PowerEdge C8220X with GPGPU/MIC double-wide compute sled	<ul style="list-style-type: none"><li>• One x16 PCI Express 3.0 slot via single riser</li><li>• One x16 PCI Express 3.0 slot via cable</li><li>• One x8 mezzanine slot</li></ul>

---

**Interfaces**

---

BMC management port	1 front
NIC	Two 1Gb NIC ports
Serial	1 front
VGA	1 front
USB	2 front
UID LED	1 front

---

**Power**

---

**Batteries**

System battery	CR 2032 3.0-V lithium ion coin cell
RAID battery (optional)	3.7 V lithium ion battery pack

---

**Storage Sled Specifications (Per Sled)**

---

**HDD Sled Configuration**

---

Dual port mode (redundant)	Standard carrier
Single port mode (non-redundant)	<ul style="list-style-type: none"><li>• Standard carrier</li><li>• Flexible carrier</li><li>• Expansion carrier</li></ul>
Expansion mode (non-zoning/ two zone/four zone)	Expansion carrier

---

**Storage device**

---

Standard carrier	3.5-inch SAS/SATA/SSD HDD x 12
Flexible carrier	2.5-inch SAS/SATA/SSD HDD x 12
Expansion carrier	2.5-inch SSD HDD x 24

---

**Interface**

---

Mini-SAS	4 front
----------	---------

---

---

**Power Sled Specifications (Per Sled)**

---

**Interfaces**

---

Power LED	2 front
Power connector	2 DC connector (12 V & GND)

---

**Power supply module (per power supply)**

---

Wattage	1400 W
Connector	IEC C20
Voltage	200–240 V AC, 50–60 Hz, 9 A max
Heat dissipation	1205 BTU/hr. maximum
Maximum inrush current	Under typical line conditions and over the entire system ambient operating range, the inrush current may reach 25 A per power supply for 10 ms or less

---

**Server Enclosure Specifications**

---

**Physical**

---

Height	17.5 cm (6.9 in.)
Width	44.7 cm (17.6 in.)
Depth	81.3 cm (32.0 in.)
Weight (empty)	17.93 kg (39.53 lbs.)

---

**Sled Support**

---

Server enclosure with internal power source	<ul style="list-style-type: none"><li>• Up to 8 C8220 single-wide compute sleds</li><li>• Up to 4 C8220X double-wide compute sleds</li><li>• Up to 4 C8000XD storage sleds</li><li>• Up to 2 power sleds</li></ul>
Server enclosure with external PDU	<ul style="list-style-type: none"><li>• Up to 10 C8220 single-wide compute sleds</li><li>• Up to 5 C8220X double-wide compute sleds</li><li>• Up to 5 C8000XD storage sleds</li></ul>

---

**Interfaces**

---

NIC	Two 10/100Mbit NIC ports (1 front, 1 back)
Serial	1 back
Power/event LED	2 (1 front, 1 back)
UID LED	2 (1 front, 1 back)
Ethernet activity LED	1 front
Thermal sensor	1 front
System fan module failure LED	3 back

---

**System fans**

---

Fan type	3 fan modules (2 fans per module/6 total)
----------	---

---

**Power**

---

DC power supply

Voltage

with external PDU 12 V DC, 50–60 Hz, 680 A max with 6 PSU populated

---

## Environmental

---

**NOTE:** For additional information about environmental measurements for specific system configurations, see the [dell.com/environmental\\_datasheets](http://dell.com/environmental_datasheets).

### Temperature

Operating 10 °C to 35 °C (50 °F to 95 °F) with a maximum temperature gradation of 10 °C per hour

Storage -40 °C to 65 °C (40 °F to 149 °F) with a maximum temperature gradation of 20 °C per hour

### Relative Humidity

Operating 20% to 80% (noncondensing) with a maximum humidity gradation of 10% per hour

Storage 5% to 95% (noncondensing)

### Maximum vibration

Operating 0.26 Grms at 5–350 Hz

Storage 1.87 Grms at 10–500 Hz for 15 min

### Maximum shock

Operating One shock pulse in the positive z axis (one pulse on each side of the system) of 31 G for 2.6 ms in the operational orientation

Storage Six consecutively executed shock pulses in the positive and negative x, y, and z axes (one pulse on each side of the system) of 71 G for up to 2 ms;

Six consecutively executed shock pulses in the positive and negative x, y, and z axes (one pulse on each side of the system) of 27 G faired square wave pulse with velocity change at 235 inches/second (597 centimeters/second)

---

**Environmental***(continued)*

---

## Altitude

Operating

-16 to 3,048 m (-50 to 10,000 ft.)

**NOTE:** For altitudes above 2,950 feet, the maximum operating temperature is derated to 1°F/550 ft.

Storage

-16 to 10,600 m (-50 to 35,000 ft.)

## Airborne Contaminant Level

Class

G1 as defined by ISA-S71.04-1985





Dell PowerEdge  
C8000、 C8220、 C8220X  
和 C8000XD  
使用入门

管制型号： B10S、 B05B 和 B06B

管制类型： B10S001、 B05B001、  
B06B001 和 B06B002



# 注、小心和警告



**注：**“注”表示可以帮助您更好地使用计算机的重要信息。



**小心：**“小心”表示如果不遵循说明，就有可能损坏硬件或导致数据丢失。



**警告：**“警告”表示可能会导致财产损失、人身伤害甚至死亡。

---

本文中的信息如有更改，恕不另行通知。

© 2013 Dell Inc. 保留所有权利。

未经 Dell Inc. 书面许可，严禁以任何形式复制这些材料。

本文中所使用的商标：Dell™、DELL 徽标、Dell Precision™、OptiPlex™、Latitude™、PowerEdge™、PowerVault™、PowerConnect™、OpenManage™、EqualLogic™、KACE™、FlexAddress™ 和 Vostro™ 是 Dell Inc. 的商标。Intel®、Pentium®、Xeon®、Core®、Celeron® 和 Xeon Phi™ 是 Intel Corporation 在美国和其他国家 / 地区的注册商标。Microsoft®、Windows®、Windows Server®、MS-DOS® 和 Windows Vista® 是 Microsoft Corporation 在美国和 / 或其他国家或地区的商标或注册商标。Red Hat® 和 Red Hat® Enterprise Linux® 是 Red Hat, Inc. 在美国和其他国家 / 地区的注册商标。Novell® 和 SUSE™ 分别是 Novell Inc. 在美国和其他国家 / 地区的注册商标和商标。Oracle® 是 Oracle Corporation 和 / 或其子公司的注册商标。Citrix®、Xen®、XenServer® 和 XenMotion® 是 Citrix Systems, Inc. 在美国和 / 或其他国家或地区的注册商标或商标。VMware®、Virtual SMP®、vMotion®、vCenter® 和 vSphere® 是 VMWare, Inc. 在美国或其他国家或地区的商标或注册商标。NVIDIA 和 Tesla™ 是 NVIDIA Corporation 的商标和 / 或注册商标。Ubuntu 是 Canonical Ltd. 的注册商标。

本出版物中可能使用其它商标和商品名称来指拥有相应商标和商品名称的公司或其产品。Dell Inc. 对不属于自己的商标和商品名称不拥有任何所有权益。

**管制型号：** B10S、B05B 和 B06B

**管制类型：** B10S001, B05B001, B06B001 和 B06B002

**2013 - 07 P/N R8CH0 Rev.A04**

### **小心：受限访问位置**

此服务器仅用于安装在定义的满足下列两个条件的受限访问位置中：

- 仅维修人员或对该位置施加限制的理由以及应当采取的防备措施已完全领会的用户，才可对此服务器进行访问。
- 通过同时使用工具或锁和钥匙，或其它安全手段来访问，并且由负责此位置的授权方来控制。

## 安装和配置

### **警告：执行下列步骤之前，请阅读并遵循系统随附的安全说明。**

PowerEdge C8000 服务器机柜是灵活且可扩展的 4U 机架安装式机箱。PowerEdge C8000 具有十个垂直校准的底座托架，这些托架支持全底座或混合底座机柜。全底座机柜可包括多达五个 C8220X 双幅计算底座、十个 C8220 单幅计算底座，或五个 C8000XD 存储底座。混合底座机柜可支持不同底座类型混用。

## 建议使用的工具

在开始安装任务之前，请确保备有下列工具：

- 1 号梅花槽螺丝刀
- 2 号梅花槽螺丝刀
- 已接地的接地腕带
- 防静电垫或防静电泡棉

## 打开系统包装


### **警告：如需抬高系统时，请让别人帮您。为避免受伤，请勿尝试独自提起系统。**


### **小心：在持拿系统组件时，请佩戴接地腕带。**


- 1 准备一块用于放置 PowerEdge C8000 服务器机柜的防静电垫或防静电泡棉。
- 2 打开机柜的包装并将其放在防静电垫或防静电泡棉上。
- 3 保留纸板箱以备将来使用。


## 安装免工具拆装导轨解决方案




 **警告：**如需抬高系统时，请让别人帮您。为避免受伤，请勿尝试独自提起系统。


 **警告：**系统未固定到机架上或未安装在导轨上。为避免人身伤害或系统损坏，在安装和拆卸时，必须给系统提供足够的支撑。


 **警告：**为避免可能的电击伤害，机架安装需要第三根电线安全接地导体。机架设备必须对系统提供足够的通风以维持适当冷却。

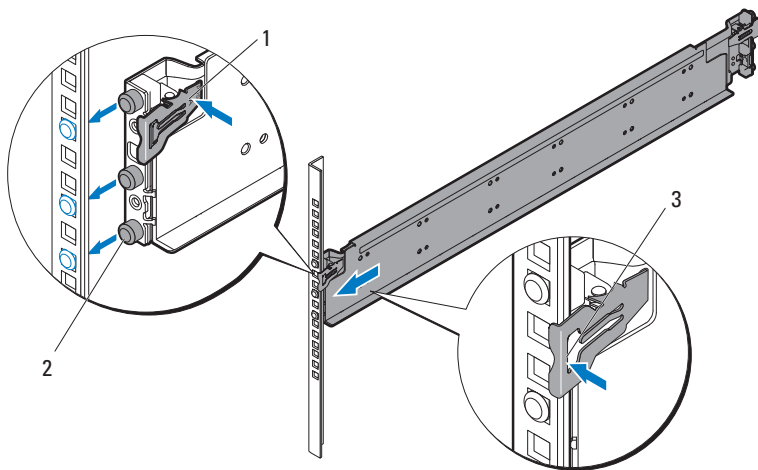
 **小心：**导轨插销必须与机架柱齐平才能安装恰当。

 **注：**机架导轨标有 LEFT 和 RIGHT 标记。当面向机架正面时，标有“LEFT”的导轨连接到左侧的机架柱，标有“RIGHT”的导轨连接到右侧的机架柱。

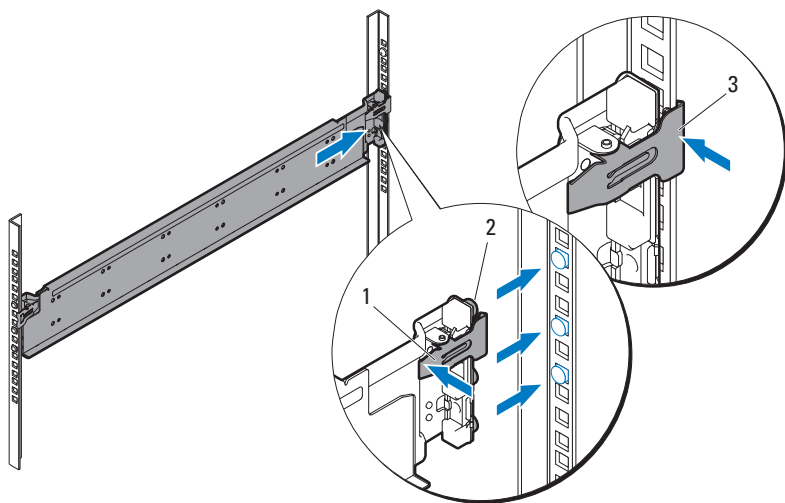
- 1 确定导轨在机架中的放置位置。确保在 4U 机箱的机架中有足够的空间。在标准机架中，4U 机箱的高度会跨越 12 个柱孔。
- 2 使用导轨左侧和右侧标示的标记调整导轨的方向，将其正确安装到机架柱上。
- 3 将左导轨和固定支架安装到机架上。
  - a 将标有“LEFT”的左导轨与其在机架柱上的安装孔对齐。
  - b 按住导轨释放按钮  不放，以打开左侧导轨前端的门锁。
  - c 将三个插销  与前机架柱上的安装孔对齐。
  - d 当按钮  与机架柱正面啮合时，释放按该按钮。

 **注：**确保导轨释放按钮正确啮合。

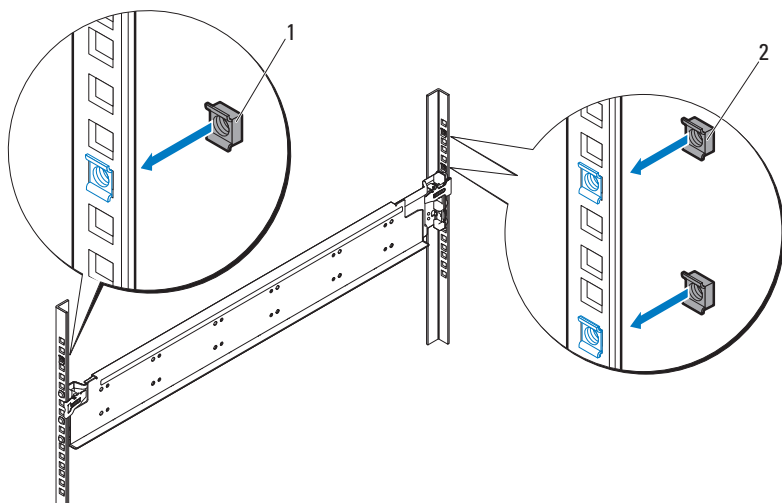
 **注：**导轨可以在方孔和圆孔机架中使用。



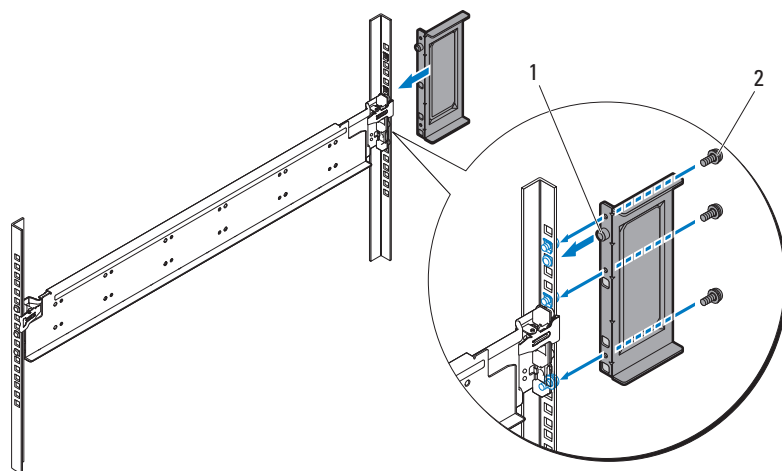
- e 按住导轨释放按钮 1 不放，以打开导轨后端的门锁。
- f 将三个插销 A 与后机架柱上的安装孔对齐。
- g 当按钮 A 与机架柱背面啮合时，释放按该按钮。



- h 在机架柱正面安装一个锁紧螺母 1，在机架柱背面安装两个锁紧螺母 A。




- i 将固定支架 1 与后机架柱对齐，并用三颗 10-32 螺钉 A 进行紧固。对螺钉施以 35 英寸磅的转距。



- 4 将右导轨和固定支架安装到机架上。

按照相同的步骤将右导轨和固定支架安装到机架柱右侧。

 **注：**要卸下导轨，请按住尾段正中央的导轨释放按钮并逐个取下导轨。

## 安装系统

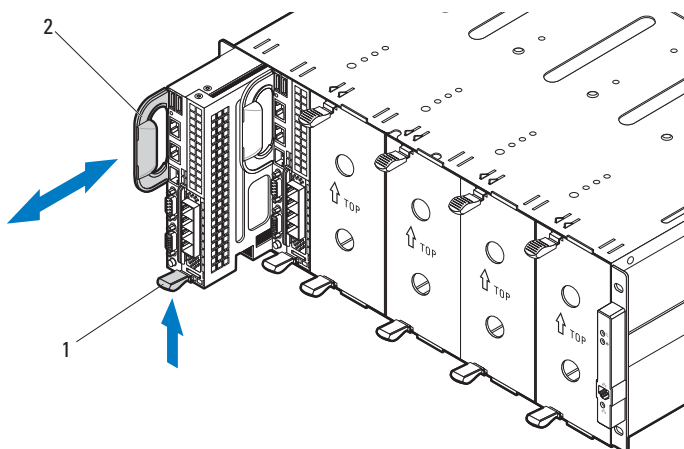
本节包括以下小节：

- 清空系统
- 将系统安装到机架中
- 底座托架编号
- 填充系统
- 安装外部 PDU 至机架中
- 机架配置

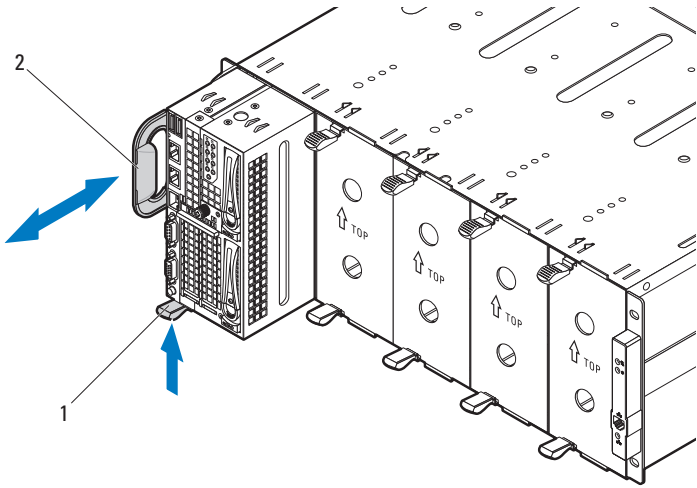
### 清空系统

在将 PowerEdge C8000 服务器机柜安装到机架中之前，请从机柜中卸下所有底座模块，以减轻系统重量并避免伤害。将所有底座模块放在防静电垫或防静电泡棉上。

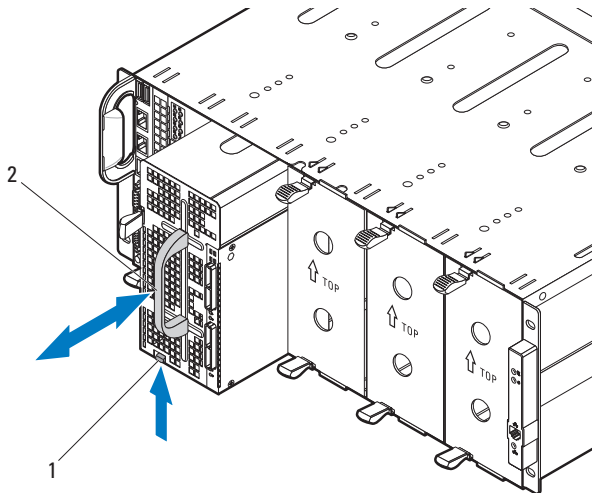
- 要卸下 C8220 单幅计算底座，请拔起释放闩锁 1 并使用手柄 A 将底座滑出机柜。



- 要卸下 C8220X 双幅计算底座，请拔起释放闩锁 1 并使用手柄 A 将底座滑出机柜。

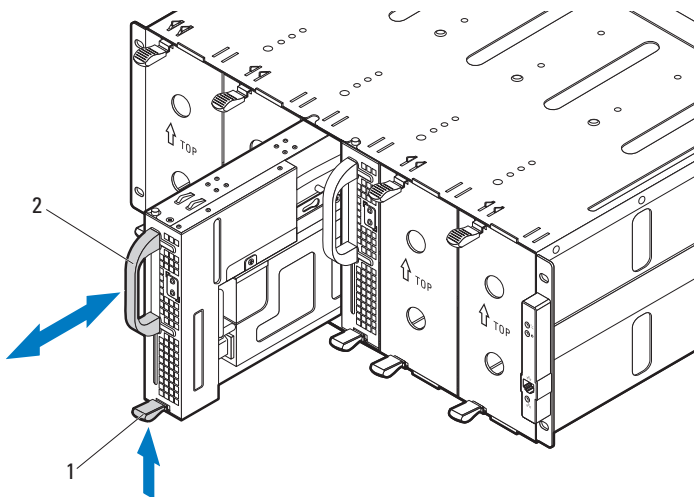


- 要卸下 C8000XD 存储底座，请拔起并拉住释放卡舌<sup>1</sup>，然后使用手柄<sup>2</sup>将底座滑出机柜。

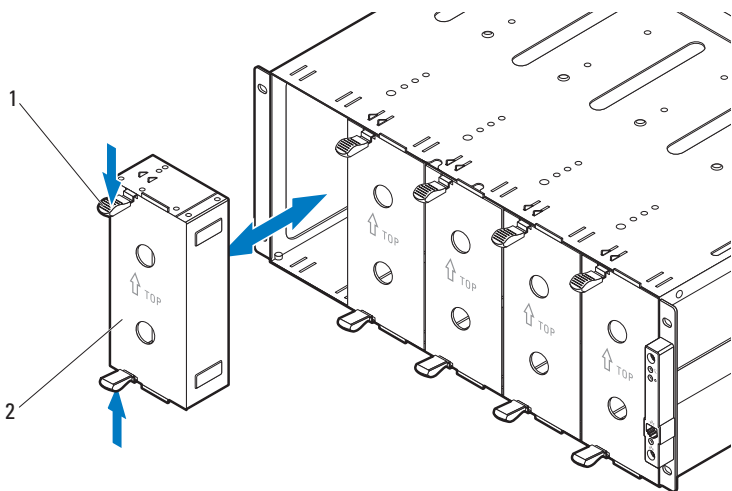


- 要卸下电源底座，请拔起释放门锁<sup>1</sup>并使用手柄<sup>2</sup>将底座滑出机柜。

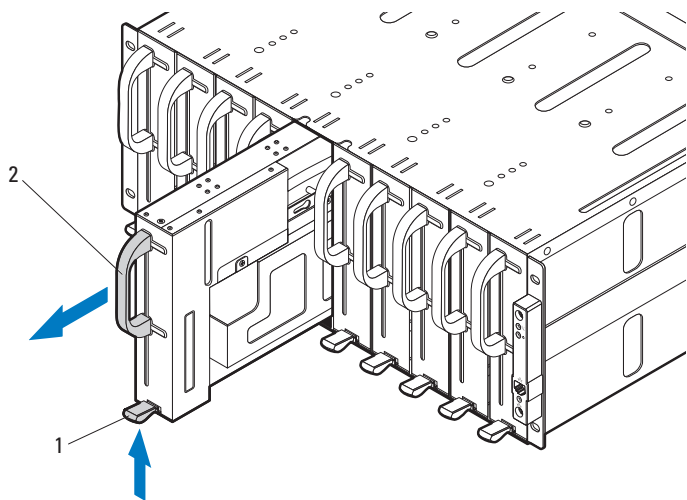




- 要卸下双幅底座挡片，请压紧并按住释放门锁 1，然后从机柜 A 中拉出底座挡片。



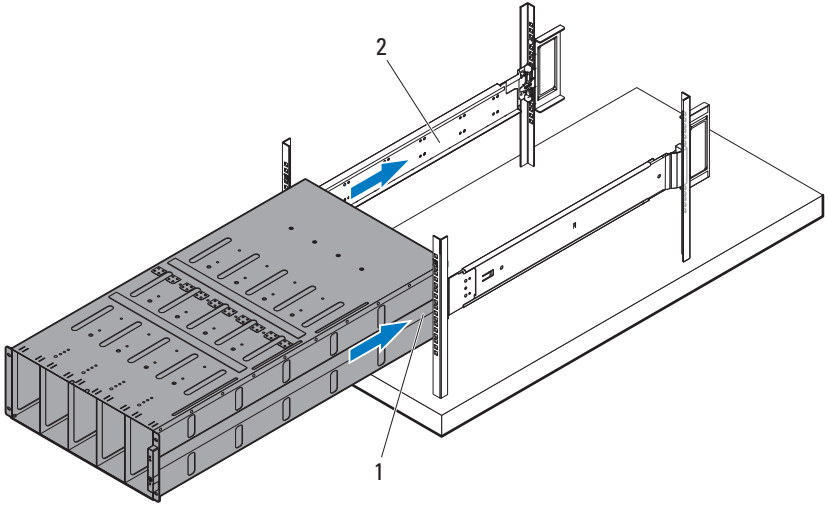
- 要卸下单幅底座挡片，请拔起释放门锁 1 并使用手柄 A 将底座滑出机柜。



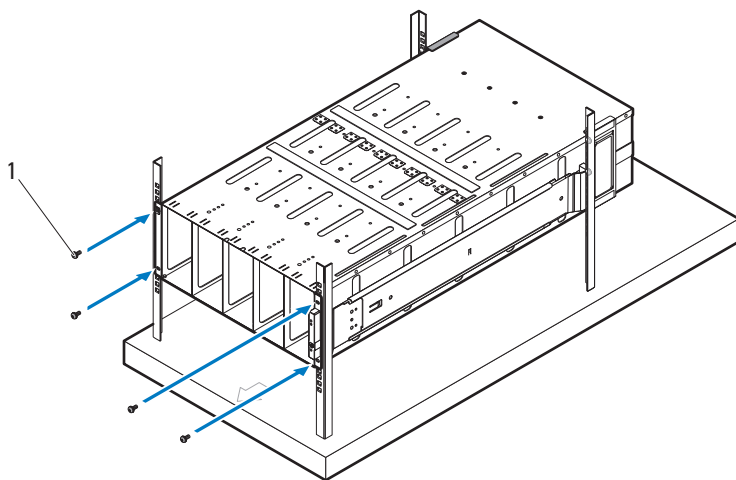
## 将系统安装到机架中

**⚠ 警告：**如需抬高系统时，请让别人帮您。为避免受伤，请勿尝试独自提起系统。

- 1 在别人帮助下，将服务器机柜 1 与导轨 A 对齐，然后将其完全推入机架。

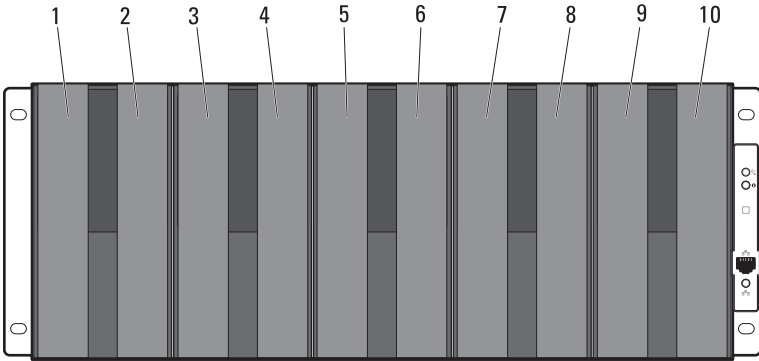


- 2 使用四颗 10-32 螺钉<sup>1</sup>将机柜正面固定至左侧和右侧机架柱。



## 底座托架编号


PowerEdge C8000 服务器机柜分为十个垂直托架。一个 C8220 单幅计算底座占用服务器机柜中的一个底座托架，一个 C8220X 双幅计算底座或 C8000XD 存储底座占用服务器机柜中的两个底座托架。在将底座模块安装到服务器机柜中时，应先在底座托架 1 中安装底座模块，再向机柜右侧安装。




底座模块类型	底座托架									
	1	2	3	4	5 <sup>a</sup>	6 <sup>a</sup>	7	8	9	10
C8220 单幅计算底座	√	√	√	√	√	√	√	√	√	√
C8220X 双幅计算底座		√		√		√		√		√
C8000XD 存储底座 <sup>b</sup>		√		√		√		√		√
电源底座 <sup>c</sup>	—	—	—	—	√	√	—	—	—	—

- 底座托架 5 和 6 支持安装两个电源底座或两个 C8220 计算底座或两个底座类型的组合。
- 如果使用带内部电源的服务器机柜，则将 C8000XD 存储底座仅安装在底座托架 3 至 10 中。
- 电源底座仅可安装在底座托架 5 和 6 中。

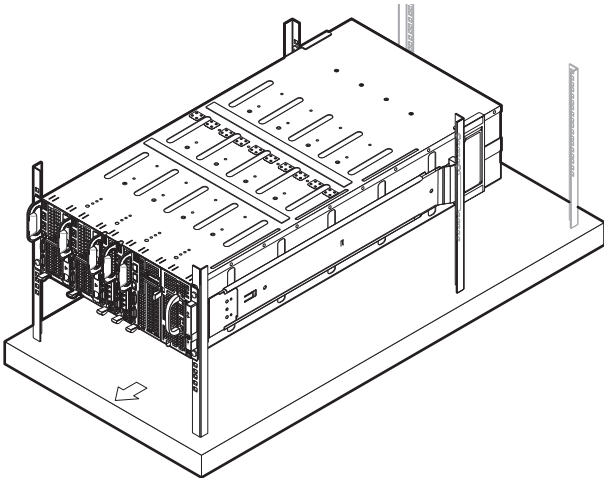
## 填充系统

 **小心：**为了确保正常操作和冷却，必须始终在机柜的所有托架中装入底座或底座挡片。

 **小心：**为了维持正常的系统冷却，所有闲置的硬盘驱动器插槽必须安装硬盘驱动器挡片。

将所有组件安装到 PowerEdge C8000 服务器机柜中。

- 要安装 C8220 单幅计算底座，将新底座滑入机柜，直至底座完全就位，并且释放门锁卡入到位。
- 要安装 C8220X 双幅计算底座，将新底座滑入机柜，直至底座完全就位，并且释放门锁卡入到位。
- 要安装 C8000XD 存储底座，将新底座滑入机柜，直至底座完全就位，并且释放卡舌卡入到位。
- 要安装电源底座，将新底座滑入机柜，直至底座完全就位，并且释放门锁卡入到位。
- 要安装双幅底座挡片，将挡片滑入机柜直至完全就位，并且释放门锁卡入到位。
- 要安装单幅底座挡片，将挡片滑入机柜直至完全就位，并且释放门锁卡入到位。



## 安装外部 PDU 至机架中

**⚠ 警告：**如需抬高系统时，请让别人帮您。为避免受伤，请勿尝试独自提起系统。

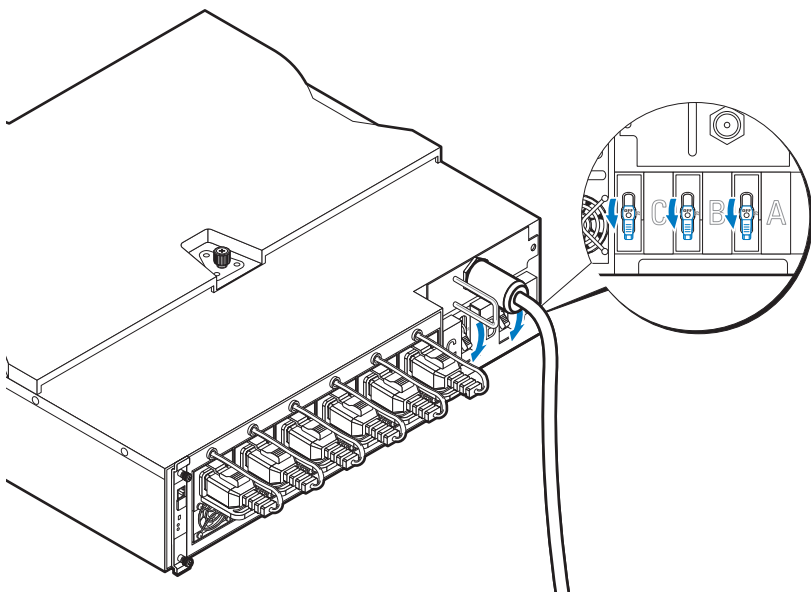
**🔗 注：**PDU 设备的图示仅作参考之用。有关 PDU 设备的更多信息，请参阅 PDU 设备的说明文件。

**🔗 注：**PDU 安装支架分别标有 L 和 R。标有“L”的导轨连接至 PDU 设备的左侧，标有“R”的导轨连接到 PDU 设备的右侧。

**⚠ 警告：**请勿在 PDU 处于通电状态时连接或断开连接 PDU 设备的电源电缆。

**⚠ 警告：**请关闭 PDU 断路器开关，以免发生严重电击或致命电击。

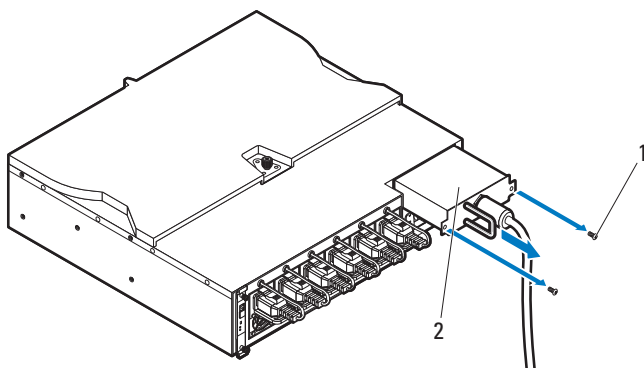
- 1 关闭 PDU 断路器开关，方法是将 A、B 和 C 断路器开关移到“OFF”位置。



- 2 从电源断开 PDU 的连接。

**3** 卸下电源电缆接口盒 (PCIB) 模块。

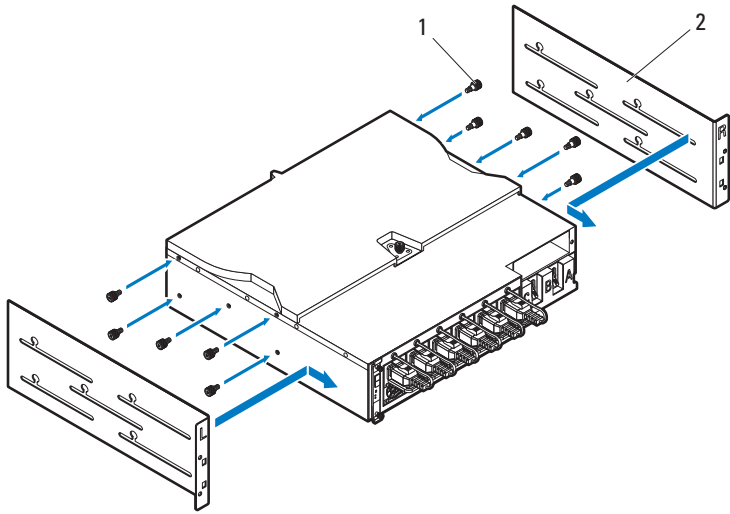
- a** 卸下用于固定 PCIB 模块的两颗螺钉 1。
- b** 握住 PCIB 手柄，将其从托架 A 中拉出。



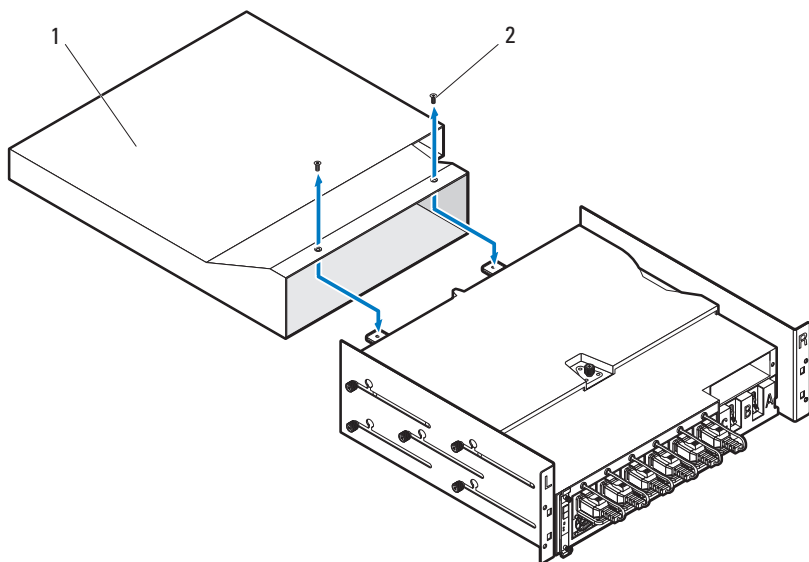
**4** 将固定支架连接到 PDU 的两侧。

- a** 将十颗螺钉 1 固定到 PDU 的左侧和右侧。
- b** 调整标有“L”的左固定支架的位置，使其螺孔与 PDU 上的螺钉对齐，然后将固定支架朝着 PDU 的后部滑动，直至其锁定到位 A。
- c** 调整标有“R”的右固定支架的位置，使其螺孔与 PDU 上的螺钉对齐，然后将固定支架朝着 PDU 的后部滑动，直至其锁定到位 A。

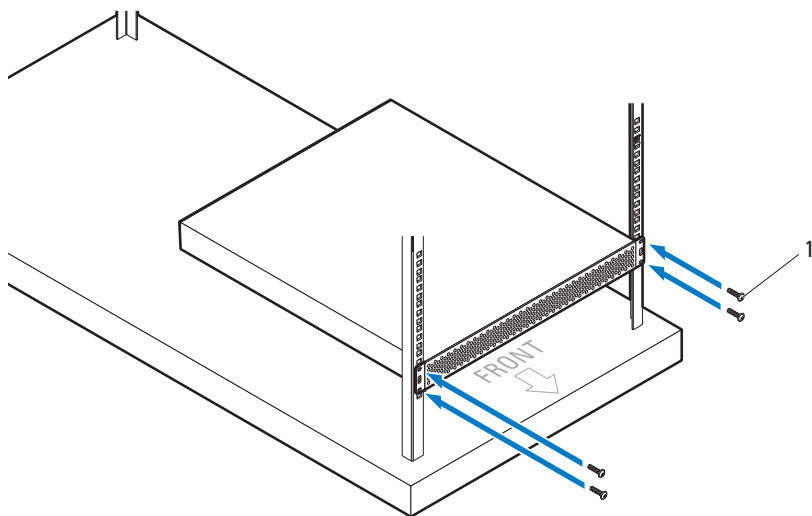




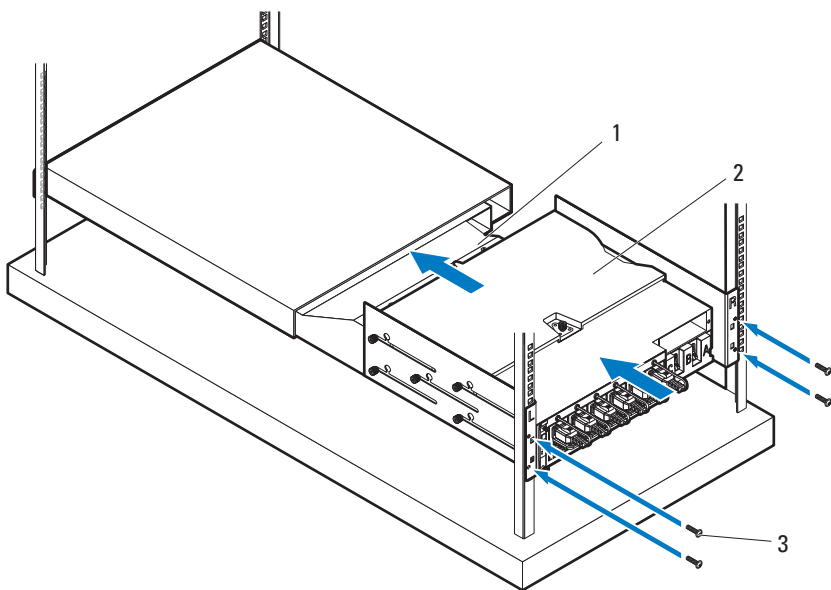
- 5 将通风装置安装到 PDU 上。
  - a 从通风装置上卸下通风管。
  - b 将通风管 1 与 PDU 正面对齐。
  - c 使用两颗螺钉 A 将通风管固定到 PDU 的正面。



- d 将通风装置与机架柱对齐。
- e 使用四颗螺钉<sup>1</sup>将通风装置固定到机架柱上。




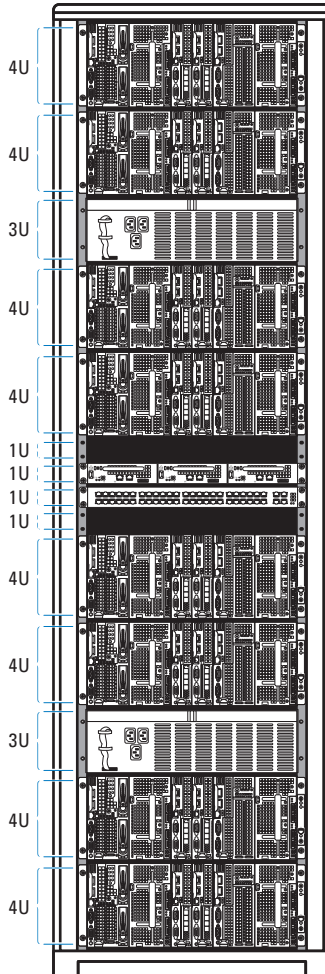
- 6 在他人的协助下将通风管<sup>1</sup>滑入通风装置，并使用四颗螺钉<sup>2</sup>将 PDU<sup>3</sup> 的后部固定到机架柱上。



## 机架配置

下图所示为在 42U 机架上 PowerEdge C8000 服务器机柜、配电装置 (PDU) 设备、交换机和路由器的机架配置样本。

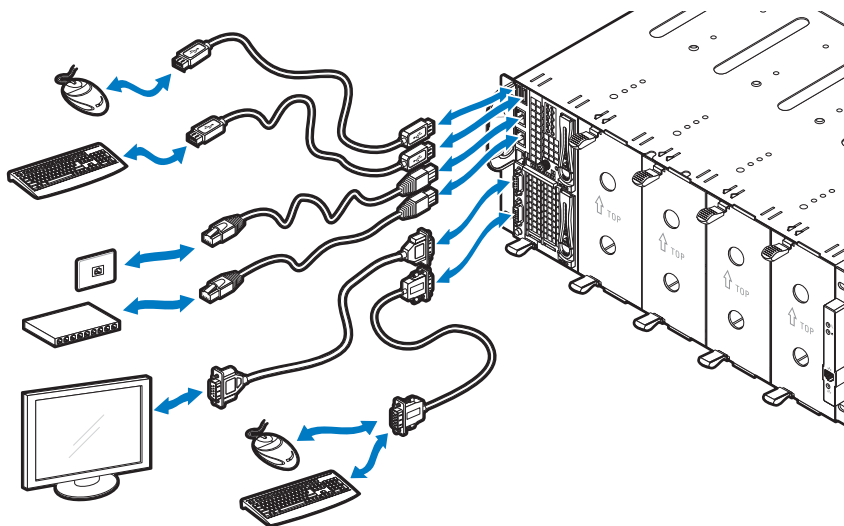
 **注：**提供的机架配置示意图仅供参考。



## 连接键盘、鼠标和显示器

将键盘、鼠标和显示器连接到计算底座（可选）。

下图显示将键盘、鼠标和显示器连接到 C8220X 双幅计算底座的示例。

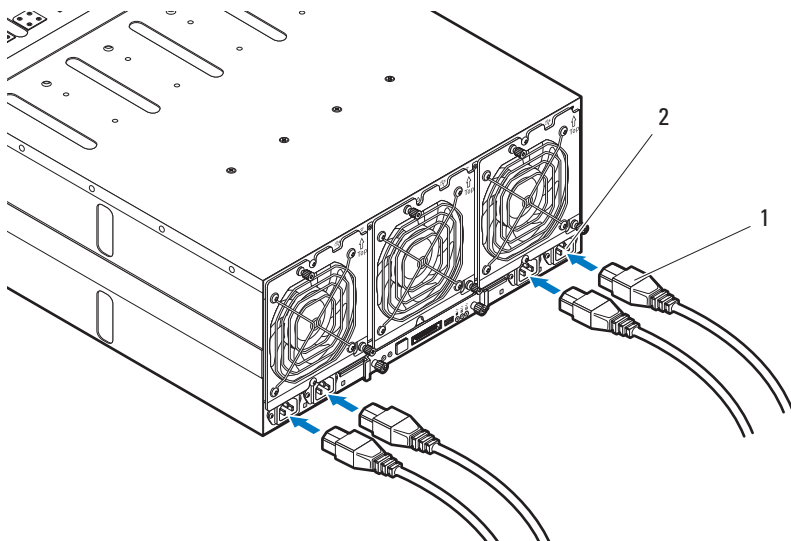


## 连接电源电缆

本节说明如何将带内部或外部电源的服务器机柜连接到外部 PDU。

### 带内部电源的服务器机柜

- 1 在机柜的背面，将电源电缆 1 连接到交流电源插槽 A 中。

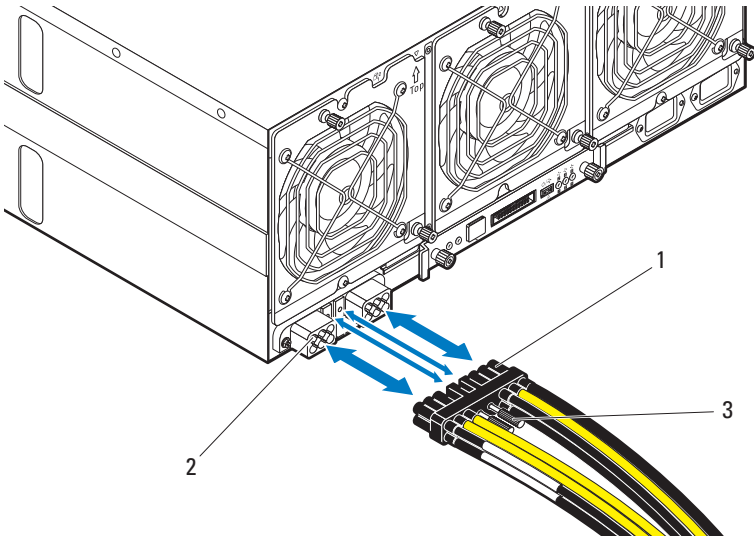


- 2 将电源电缆的另一端插入接地的电源插座或单独的电源中，如不间断电源设备或 PDU。

## 带外部电源的服务器机柜

**⚠ 警告：** 在连接之前，请确保所有设备的电源均已关闭。

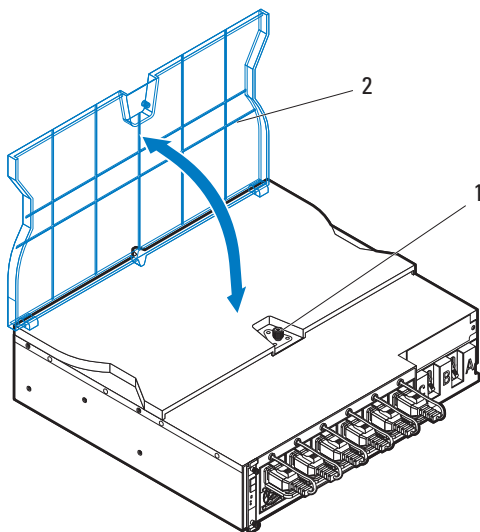
- 1 在机柜的背面，将电源电缆 1 连接到直流电源插槽 A 中。
- 2 拧紧电缆上的两个中间螺钉 A，以固定该连接。



## 将服务器机柜连接至一个机架 PDU

**警告：**请勿在 PDU 处于通电状态时连接或断开连接 PDU 设备的电源电缆。请关闭 PDU 断路器开关，以免发生严重电击或致命电击。将 PDU 的 A、B 和 C 断路器开关移到“OFF”位置。

- 1 松开电缆护盖 1。
- 2 转动护盖 1，使其远离 PDU。



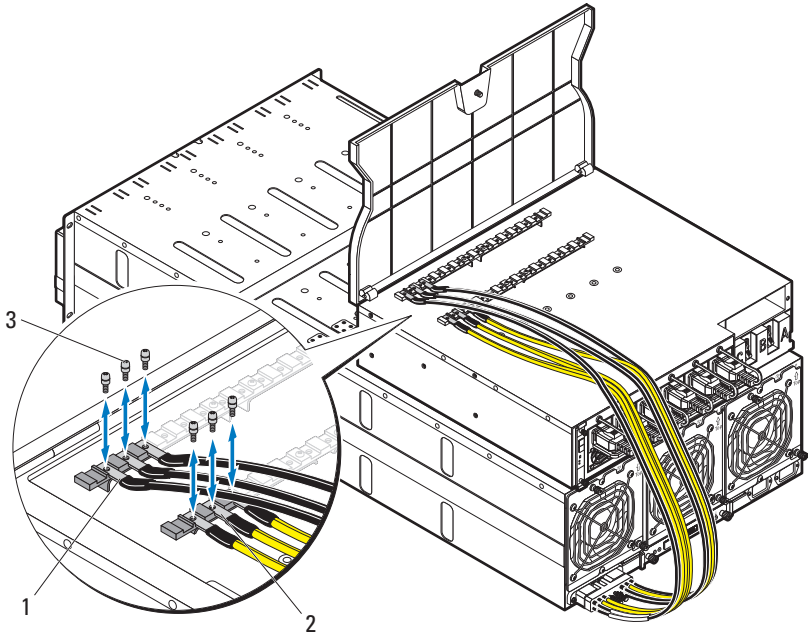
- 3 将服务器机柜电源电缆连接至 PDU 电源总线条。

**注：** PDU 设备支持最多五个 PowerEdge C8000 服务器机柜，具体取决于系统配置和电源预算。

要将单一服务器机柜连接至 PDU：

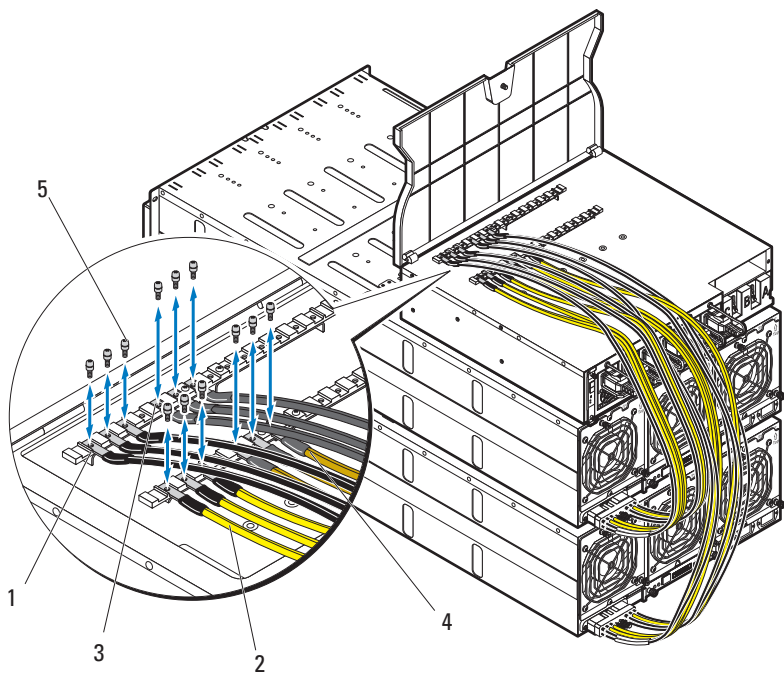
- a 使用三颗螺钉 1 将三个黑色的电源电缆接头 1 固定到顶部电源总线条（GND）上。
- b 使用三颗螺钉 2 将三个黄色的电源电缆接头 2 固定到底部电源总线条上。






要将多个服务器机柜连接至 PDU：

- a** 使用三颗螺钉 **1** 将第一个服务器机柜的三个黑色电源电缆接头 **2** 固定到顶部电源总线条（GND）上。
- b** 使用三颗螺钉 **3** 将三个黄色的电源电缆接头 **2** 固定到底部电源总线条上。
- c** 使用三颗螺钉 **4** 将第二个服务器机柜的三个黑色电源电缆接头 **2** 固定到顶部电源总线条（GND）上。
- d** 使用三颗螺钉 **5** 将第二个服务器机柜的三个黄色的电源电缆接头 **2** 固定到底部电源总线条上。



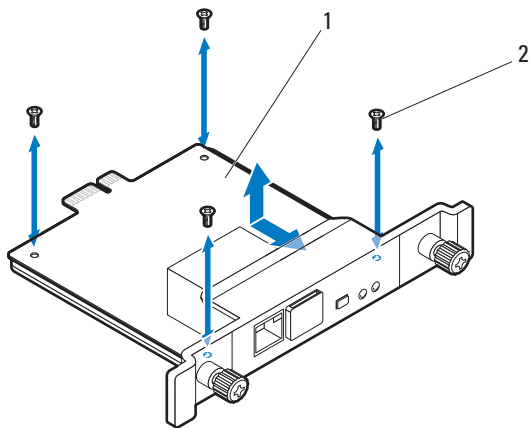
 **注：** 确保所有电源线均连接正确并已牢固地连接至 PDU 电源总线条。

4 合上电缆护盖并固定到 PDU 上。

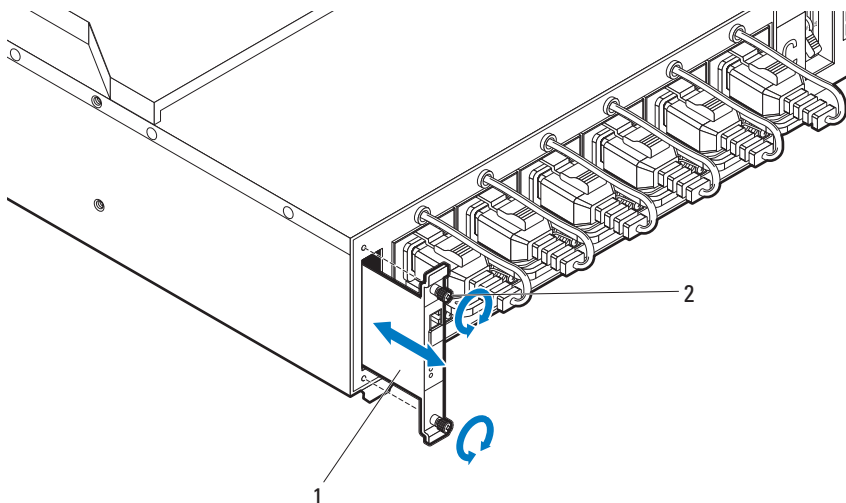
## 将 PDU 接入网络

1 将电源管理控制器（PMC）安装到 PDU 并连接到您的网络。

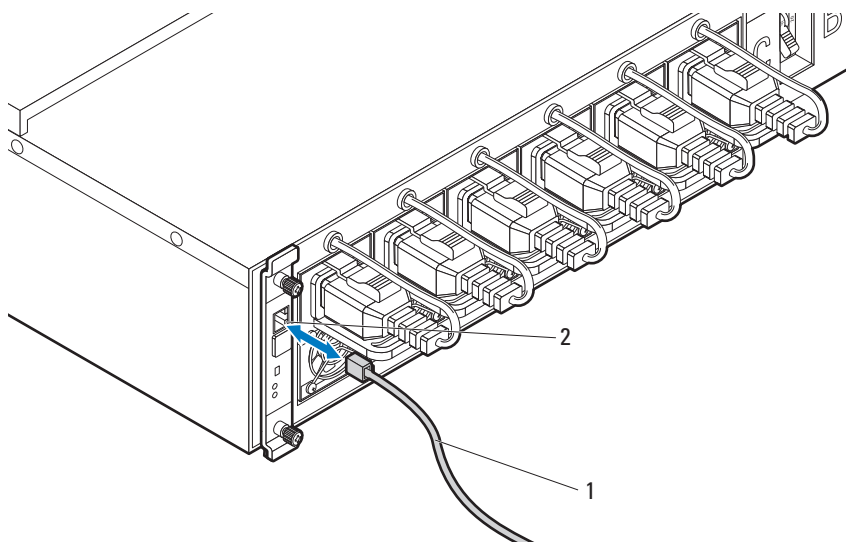
a 使用四颗螺钉 1 将 PMC 板 2 固定到 PMC 托架上。



b 将 PMC 部件 1 插入到 PDU 并用两颗指旋螺钉 2 固定。



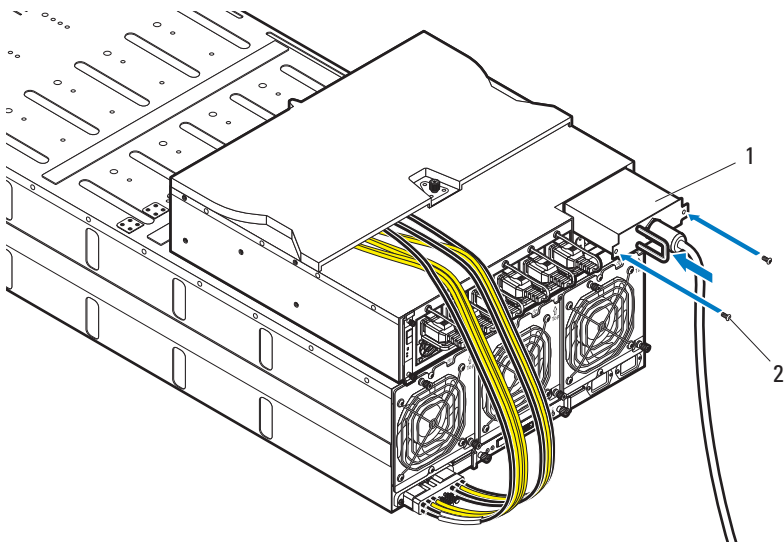
- c 将网络电缆 1 连接至 NIC 端口 1 A。



# 开启系统电源

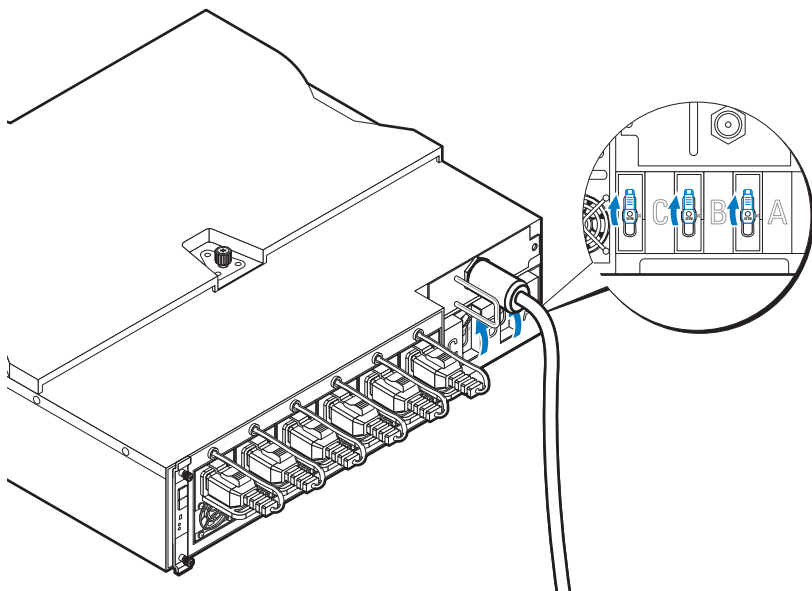
## 开启 PDU

- 1 将 PCIB 模块安装在 PDU 中。
  - a 将 PCIB 模块插入 PCIB 托架 1。
  - b 使用两颗螺钉 A 将 PCIB 模块固定到 PDU。



- 2 连接 PDU 到电源。

- 3 开启 PDU 断路器开关，方法是将 A、B 和 C 断路器开关移到“ON”位置。



- 4 要启用对网络上的 PDU 设备的监测，请按 PMC 板上的电源按钮开启 PMC 板。为 PDU 通电后，PMC 板前部的电源 / 状态指示灯将呈绿色亮起。

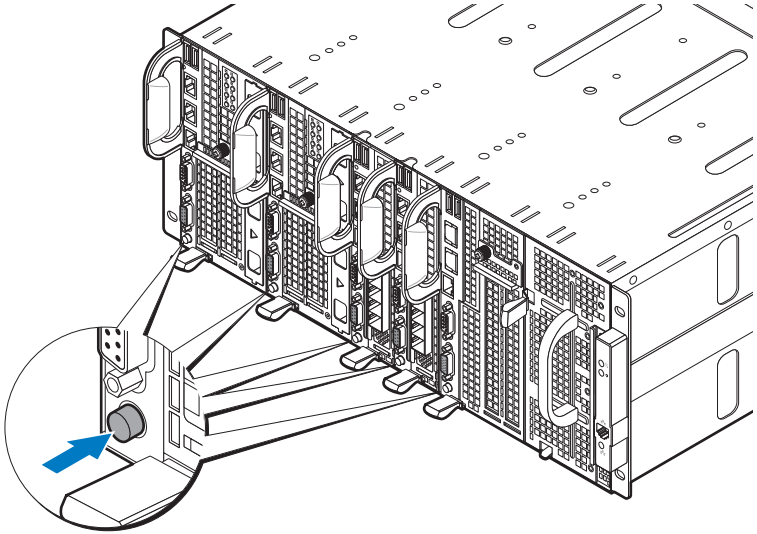
 **注：**本手册中使用的 PMC 板和 PDU 设备的图示仅供参考之用。有关 PMC 板和 PDU 设备的更多信息，请参阅 PDU 设备的说明文件。

## 开启服务器机柜

连接到电源时，主电源将自动分配至服务器机柜。打开服务器机柜的电源后，机柜正面的电源 / 事件指示灯将呈绿色亮起，主电源供给机柜中的所有底座。

## 开启底座

要开启 C8220 或 C8220X 计算底座，按下每个底座上的电源按钮，或使用底板管理控制器打开底座电源。当底座通电后，底座正面的通电指示灯将呈绿色亮起。当安装到服务器机柜时，C8000XD 存储底座会自动通电。请参阅 [dell.com/support/manuals](http://dell.com/support/manuals) 上的《使用 Baseboard Management Controller 指南》。



# 完成操作系统安装

第一次安装操作系统时，请参阅操作系统的安装和配置说明文件。请确保先安装操作系统，然后再安装未预装的硬件或软件。

## 支持的操作系统

- Citrix XenServer Enterprise Edition 5.6
- Citrix XenServer Enterprise Edition 6.1
- Microsoft Windows Server 2008 Enterprise Edition Release 2（64 位）
- Microsoft Windows Server 2012
- Microsoft Windows HPC 2008 Release 2
- Microsoft HyperV
- Red Hat Enterprise Linux 6.1（64 位）
- Red Hat Enterprise Linux 6.3（64 位）
- SUSE Linux Enterprise Server 11 SP2（64 位）
- Ubuntu 12.04.1 LTS 64 位
- VMware ESX/ESXi 5.0
- VMware ESXi 5.0 U1
- VMware ESXi 5.0 U2
- VMware ESX 5.1
- VMware ESXi 5.1 U1



**注：**有关支持的操作系统的最新信息，请访问 [dell.com/ossupport](http://dell.com/ossupport)。



# 您可能需要的其他信息



**警告：**请参阅系统随附的安全与管制信息。保修信息可能包括在该说明文件中，也可能作为单独的说明文件提供。

- PowerEdge C8000 Hardware Owner's Manual (PowerEdge C8000 硬件用户手册) 提供有关服务器机柜功能、故障排除和组件更换的信息。该说明文件可从 [dell.com/support/manuals](http://dell.com/support/manuals) 联机获取。
- 有关系统功能、故障排除和组件更换的信息，请参阅《PowerEdge C8220 硬件用户手册》。该说明文件可从 [dell.com/support/manuals](http://dell.com/support/manuals) 联机获取。
- 有关系统功能、故障排除和组件更换的信息，请参阅《PowerEdge C8220X 硬件用户手册》。该说明文件可从 [dell.com/support/manuals](http://dell.com/support/manuals) 联机获取。
- 有关系统功能、故障排除和组件更换的信息，请参阅《PowerEdge C8000XD 硬件用户手册》。该说明文件可从 [dell.com/support/manuals](http://dell.com/support/manuals) 联机获取。
- 《底座管理控制器指南》提供有关安装和使用系统管理公用程序的信息。该说明文件可从 [dell.com/support/manuals](http://dell.com/support/manuals) 联机获取。



**注：**请经常查看更新，并首先阅读这些更新，因为这些更新通常会取代其它说明文件中的信息。

# NOM 信息

## PowerEdge C8000

本说明文件中提及的符合墨西哥官方标准 (NOM) 要求的设备上均具有以下信息：

进口商：	Dell Inc. de México, S.A.de C.V. Paseo de la Reforma 2620-11° Piso Col.Lomas Altas 11950 México, D.F.
型号：	B10S
电源电压：	200 - 240 V CA（带四个 1400 W AC 电源设备）或 12 V DC（带外部 PDU）
频率：	50 - 60 Hz
电流消耗：	9 A (x4)（带四个 1400 W AC 电源设备）或 480 A（带外部 PDU）

## PowerEdge C8220

本说明文件中提及的符合墨西哥官方标准 (NOM) 要求的设备上均具有以下信息：

进口商：	Dell Inc. de México, S.A.de C.V. Paseo de la Reforma 2620-11° Piso Col.Lomas Altas 11950 México, D.F.
型号：	B05B
电源电压：	12 V 直流
电流消耗：	42 A

## PowerEdge C8220X

本说明文件中提及的符合墨西哥官方标准 (NOM) 要求的设备上均具有以下信息：

进口商：	Dell Inc. de México, S.A.de C.V. Paseo de la Reforma 2620-11° Piso Col.Lomas Altas 11950 México, D.F.
型号：	B06B
电源电压：	12 V 直流
电流消耗：	92 A

## PowerEdge C8000XD

本说明文件中提及的符合墨西哥官方标准 (NOM) 要求的设备上均具有以下信息：

进口商：	Dell Inc. de México, S.A.de C.V. Paseo de la Reforma 2620-11° Piso Col.Lomas Altas 11950 México, D.F.
型号：	B06B
电源电压：	12 V 直流
电流消耗：	30 A

# 技术规格

---

## 计算底座规格（每底座）

---

### 处理器

---

处理器类型	两个 Intel Xeon E5 系列处理器
处理器插槽	两个 LGA 2011 插槽

---

### 系统芯片集

---

平台控制器集线器	Intel X79
网络控制器	Intel i350-BT2
视频控制器	Aspeed AST2300

---

### 内存

---

内存类型	DDR3 UDIMM、RDIMM、LRDIMM
内存模块插槽	16 个 DIMM 插槽
内存模块容量	2 GB、4 GB、8 GB、16 GB 和 32 GB RDIMM
最小 RAM	512 MB UDIMM；1 GB RDIMM
最大 RAM	128 GB UDIMM；256 GB RDIMM
内存通道数（每 CPU）	4 个通道

---

### 存储设备

---

PowerEdge C8220 单幅计算底座	<ul style="list-style-type: none"><li>• 3 Gb/s SATA 端口 x 4</li><li>• 6 Gb/s SATA 端口 x 2</li><li>• 2.5 英寸 SATA HDD x2</li></ul>
PowerEdge C8220X 双幅计算底座	<ul style="list-style-type: none"><li>• 3 Gb/s SATA 端口 x 4</li><li>• 6 Gb/s SATA 端口 x 2</li><li>• 2.5 英寸 SATA HDD x2</li><li>• 2.5 英寸 SAS/SATA HDD x8 或 3.5 英寸 SAS/SATA HDD x4</li><li>• 2.5 英寸热插拔 SAS/SATA HDD x 2（带前部可访问的 2.5 英寸热插拔硬盘驱动器的 PowerEdge C8220X）</li></ul>

---

## 计算底座规格（每底座）（续）

---

### 图形卡

---

PowerEdge C8220X 双幅计算底座	PowerEdge C8220X（带 GPGPU/MIC） <ul style="list-style-type: none"><li>• NVIDIA Tesla M2090</li><li>• NVIDIA Tesla K20</li><li>• Intel Xeon Phi 5110P</li></ul>
-------------------------	--

---

### 扩展槽

---

PowerEdge C8220 单幅计算底座	<ul style="list-style-type: none"><li>• 1 个 x16 PCI Express 2.0 插槽</li><li>• 一个 x8 夹层插槽</li></ul>
PowerEdge C8220X 双幅计算底座	<ul style="list-style-type: none"><li>• 2 个 x8 PCI Express 3.0 插槽（x16 连接器类型）</li><li>• 一个 x8 夹层插槽</li></ul>
PowerEdge C8220X （带 GPGPU/MIC 双幅） 计算底座	<ul style="list-style-type: none"><li>• 1 个通过单一提升板的 x16 PCI Express 3.0 插槽</li><li>• 1 个通过电缆的 x16 PCI Express 3.0 插槽</li><li>• 一个 x8 夹层插槽</li></ul>

---

### 接口

---

BMC 管理端口	正面 1 个
NIC	两个 1 Gb NIC 端口
串行	正面 1 个
VGA	正面 1 个
USB	正面 2 个
UID LED	正面 1 个

---

### 电源

---

#### 电池

系统电池	CR 2032 3.0 V 币形锂电池
RAID 电池（可选）	3.7 V 锂离子电池组

---

**存储底座规格（每底座）**

---

**HDD 底座配置**

---

双端口模式（冗余）	标准托盘
单端口模式（非冗余）	<ul style="list-style-type: none"><li>• 标准托盘</li><li>• 灵活托盘</li><li>• 扩展托盘</li></ul>
扩展模式（非分区/ 两个分区 / 四个分区）	扩展托盘

---

**存储设备**

---

标准托盘	3.5 英寸 SAS/SATA/SSD HDD x12
灵活托盘	2.5 英寸 SAS/SATA/SSD HDD x12
扩展托盘	2.5 英寸 SSD HDD x24

---

**界面**

---

Mini-SAS	正面 4 个
----------	--------

---

---

**电源底座规格（每底座）**

---

**接口**

---

电源 LED	正面 2 个
电源连接器	2 DC 连接器（12 V 和 GND）

---

**电源设备模块（每个电源设备）**

---

功率	1400 W
连接器	IEC C20
电压	200 - 240 V AC, 50 - 60 Hz, 9 A（最大）
散热	1205 BTU/小时 最大值
最大涌入电流	在典型的线路条件下和整个系统环境运行范围内，每个电源设备在 10 毫秒或更短时间内的涌入电流可能达到 25 A

---

## 服务器机柜规格

---

### 物理规格

---

高度	17.5 厘米 (6.9 英寸)
宽度	44.7 厘米 (17.6 英寸)
厚度	81.3 厘米 (32.0 英寸)
重量 (空置)	17.93 千克 (39.53 磅)

---

### 底座支持

---

带内部电源的服务器机柜	<ul style="list-style-type: none"><li>• 多达 8 个 C8220 单幅计算底座</li><li>• 多达 4 个 C8220X 双幅计算底座</li><li>• 多达 4 个 C8000XD 存储底座</li><li>• 多达 2 个电源底座</li></ul>
服务器机柜带外部 PDU	<ul style="list-style-type: none"><li>• 多达 10 个 C8220 单幅计算底座</li><li>• 多达 5 个 C8220X 双幅计算底座</li><li>• 多达 5 个 C8000XD 存储底座</li></ul>

---

### 接口

---

NIC	两个 10/100M NIC 端口 (正面 1 个, 背面 1 个)
串行	背面 1 个
电源 / 事件 LED	2 个 (正面 1 个, 背面 1 个)
UID LED	2 个 (正面 1 个, 背面 1 个)
以太网活动 LED	正面 1 个
热感器	正面 1 个
系统风扇模块故障 LED	背面 3 个

---

### 系统风扇

---

风扇类型	3 个风扇模块 (每个模块 2 个风扇 / 共 6 个)
------	------------------------------

---

### 电源

---

直流电源设备

电压

外部 PDU	12 V DC, 50-60 Hz、680 A (最大、安装 6 个 PSU)
--------	---

---

## 环境参数

---

**注：**有关特定系统配置的环境参数规格的其他信息，请参阅 [dell.com/environmental\\_datasheets](http://dell.com/environmental_datasheets)。

### 温度

运行时 10° C 至 35° C (50° F 至 95° F)，  
最大温度变化梯度为每小时 10° C

存储 - 40° C 至 65° C (40° F 至 149° F)，  
最大温度变化梯度为每小时 20° C

### 相对湿度

运行时 20% 至 80% (非冷凝)，最大湿度变化梯度为  
每小时 10%

存储 5% 至 95% (非冷凝)

### 最大振动

运行时 5 - 350 Hz 时为 0.26 Grms

存储 在 10 - 500 Hz、1.87 Grms 时，可持续 15 分钟

### 最大撞击

运行时 在操作方向上，z 轴正方向可承受一个 31 G 的  
撞击脉冲 (系统每一面承受一个脉冲)，  
可持续 2.6 毫秒

存储 x、y 和 z 轴正负方向上可承受连续六个 71 G  
的撞击脉冲 (系统每一面承受一个脉冲)，  
最长可持续 2 毫秒；

x、y 和 z 轴正负方向上可承受连续六个 27 G 正  
弦波脉冲的撞击脉冲 (系统每一面承受一个脉  
冲)，速度变化为 235 英寸 / 秒 (597 厘米 / 秒)



---

## 环境参数 (续)

---

### 海拔高度

运行时

-16 至 3,048 米 (-50 至 10,000 英尺)

**注：**海拔高度在 2950 英尺以上时，最高操作温度按 1° F/550 英尺降低

存储

-16 至 10,600 米 (-50 至 35,000 英尺)

### 气载污染物级别

分类

G1 (依据 ISA-S71.04-1985 定义的标准)



Dell PowerEdge  
C8000, C8220, C8220X,  
dan C8000XD

# Mengaktifkan Sistem Anda

**Model Resmi: B10S, B05B, B06B**  
**Tipe Resmi: B10S001, B05B001, B06B001,**  
**B06B002**



# Catatan, Perhatian, dan Peringatan



**CATATAN:** CATATAN menunjukkan informasi penting yang membantu Anda untuk menggunakan komputer dengan lebih baik.



**PERHATIAN:** PERHATIAN menunjukkan kemungkinan terjadinya kerusakan pada perangkat keras atau kehilangan data jika petunjuk tidak diikuti.



**PERINGATAN:** PERINGATAN menunjukkan kemungkinan kerusakan pada harta benda, cedera diri, atau kematian.

---

**Informasi dalam publikasi ini dapat berubah tanpa pemberitahuan.**

© 2013 Dell Inc. Hak cipta dilindungi undang-undang.

Dilarang keras memperbanyak materi ini dengan cara apa pun tanpa izin tertulis dari Dell Inc.

Merek dagang yang digunakan dalam teks ini: Dell™, logo DELL, Dell Precision™, OptiPlex™, Latitude™, PowerEdge™, PowerVault™, PowerConnect™, OpenManage™, EqualLogic™, KACE™, FlexAddress™ dan Vostro™ merupakan merek dagang dari Dell Inc. Intel®, Pentium®, Xeon®, Core™, Celeron® dan Xeon Phi™ merupakan merek dagang terdaftar dari Intel Corporation di AS. dan negara lain. Microsoft®, Windows®, Windows Server®, MS-DOS® and Windows Vista® merupakan merek dagang atau merek dagang terdaftar dari Microsoft Corporation di Amerika Serikat dan/atau negara lainnya. Red Hat® dan Red Hat® Enterprise Linux® merupakan merek dagang terdaftar dari Red Hat, Inc. di Amerika Serikat dan/atau negara-negara lain. Novell® merupakan merek dagang terdaftar dan SUSE™ merupakan merek dagang dari Novell Inc. di Amerika Serikat dan negara-negara lain. Oracle® merupakan merek dagang terdaftar dari Oracle Corporation dan/atau afiliasinya. Citrix®, Xen®, XenServer® dan XenMotion® merupakan merek dagang terdaftar atau merek dagang dari Citrix Systems, Inc. di Amerika Serikat dan/atau negara-negara lainnya. VMware®, Virtual SMP®, vMotion®, vCenter®, dan vSphere® merupakan merek dagang terdaftar atau merek dagang dari VMware, Inc. di Amerika Serikat atau negara-negara lainnya. NVIDIA dan Tesla™ merupakan merek dagang dan/atau merek dagang terdaftar dari NVIDIA Corporation. Ubuntu merupakan merek dagang terdaftar dari Canonical Ltd.

Merek dagang dan nama dagang lain mungkin digunakan dalam dokumen ini untuk merujuk ke pihak lain yang memiliki hak atas merek dan nama atau produk mereka. Dell Inc. menyangkal kepentingan kepemilikan apa pun atas merek dagang dan nama dagang selain miliknya sendiri.

**Model Resmi: B10S, B05B, B06B**

**Tipe Resmi: B10S001, B05B001, B06B001, B06B002**

**2013 - 07 No. Komp. R8CHO Rev. A04**

### **PERHATIAN: Lokasi Akses Terbatas**

Server ini dimaksudkan untuk dipasang hanya di lokasi dengan akses terbatas yang ditentukan oleh terpenuhinya syarat-syarat berikut:

- Akses hanya dapat dimiliki oleh petugas servis atau pengguna yang telah diberitahu mengenai alasan-alasan pembatasan yang diterapkan pada lokasi tersebut dan tentang tindakan pencegahan yang harus dilakukan.
- Akses dapat dilakukan dengan menggunakan alat atau kunci dan anak kunci, atau sarana pengamanan lainnya, dan dikontrol oleh pihak berwenang yang bertanggung jawab atas lokasi tersebut.

## Instalasi dan Konfigurasi

### **PERINGATAN: Sebelum melakukan prosedur berikut ini, bacalah dan ikuti petunjuk keselamatan yang diberikan bersama sistem.**

Enclosure server PowerEdge C8000 adalah sasis rackmount 4U yang fleksibel dan dapat diskalakan. PowerEdge C8000 menonjolkan sepuluh rongga sled yang diijarkan secara vertikal yang dapat mendukung enclosure sled penuh atau sled campuran. Enclosure sled penuh dapat mencakup hingga lima sled penghitung lebar-ganda C8220X, sepuluh C8220 sled penghitung lebar-tunggal, atau lima sled penyimpanan C8000XD. Enclosure sled campuran dapat mendukung campuran jenis sled yang berbeda.

## Alat Bantu yang Disarankan

Sebelum Anda memulai pemasangan, pastikan Anda memiliki alat-alat berikut:

- Obeng Phillips #1
- Obeng Phillips #2
- Gelang antistatik yang terhubung ke tanah
- Karpet antistatik atau busa antistatik

## Membuka Kemasan Sistem


### **PERINGATAN: Jika Anda perlu mengangkat sistem, mintalah orang lain untuk membantu Anda. Untuk mencegah cedera, jangan mencoba mengangkat sistem sendirian.**


### **PERHATIAN: Pakailah gelang antistatik saat menangani komponen sistem.**


- 1 Siapkan karpet antistatik atau busa antistatik untuk mengatur enclosure server PowerEdge C8000.
- 2 Bongkar dan taruh enclosure di atas karpet antistatik atau busa antistatik.
- 3 Simpan kardus untuk penggunaan di masa yang akan datang.

## Memasang Solusi Rel Tanpa Alat

 **PERINGATAN:** Jika Anda perlu mengangkat sistem, mintalah orang lain untuk membantu Anda. Untuk mencegah cedera, jangan mencoba mengangkat sistem sendirian.

 **PERINGATAN:** Sistem belum ditempatkan pada rak atau dipasang pada rel. Untuk menghindari cedera pada orang atau kerusakan pada sistem, Anda harus menopang sistem secara memadai selama pemasangan dan pembongkaran.

 **PERINGATAN:** Untuk menghindari bahaya kejutan listrik, diperlukan kabel ketiga konduktor grounding untuk pemasangan rak. Peralatan rak harus memberikan aliran udara yang memadai ke sistem untuk mempertahankan pendinginan yang mencukupi.


 **PERHATIAN:** Pasak rel harus sama rata dengan tiang rak untuk pemasangan yang benar.




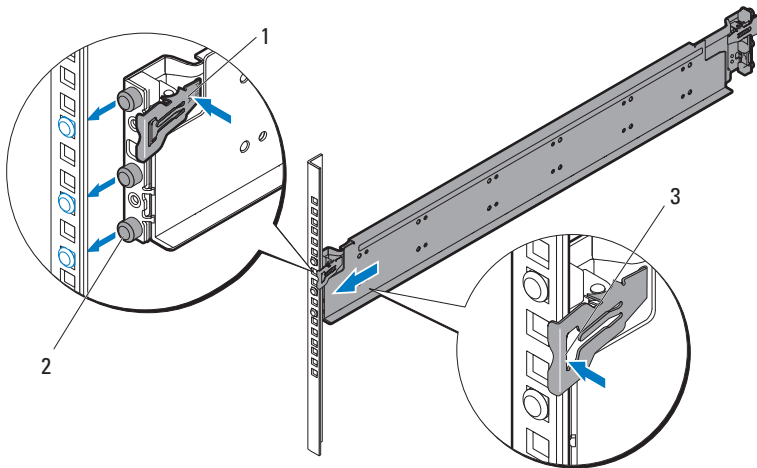
**CATATAN:** Rel rak ditandai dengan teks LEFT (KIRI) dan RIGHT (KANAN). Rel bertanda "LEFT (KIRI)" dipasang pada tiang rak kiri dan rek bertanda "RIGHT (KANAN)" dipasang pada tiang rak kanan jika menghadap ke arah depan rak.

- 1 Tentukan di mana rel akan dipasang dalam rak. Pastikan adanya ruang yang mencukupi dalam rak untuk sasis 4U. Dalam rak standar, ketinggian sasis 4U akan menjangkau 12 lubang tiang rak.
- 2 Gunakan penanda yang diindikasikan di sisi kiri dan kanan rel untuk mengarahkan rel dengan benar ke tiang rak.

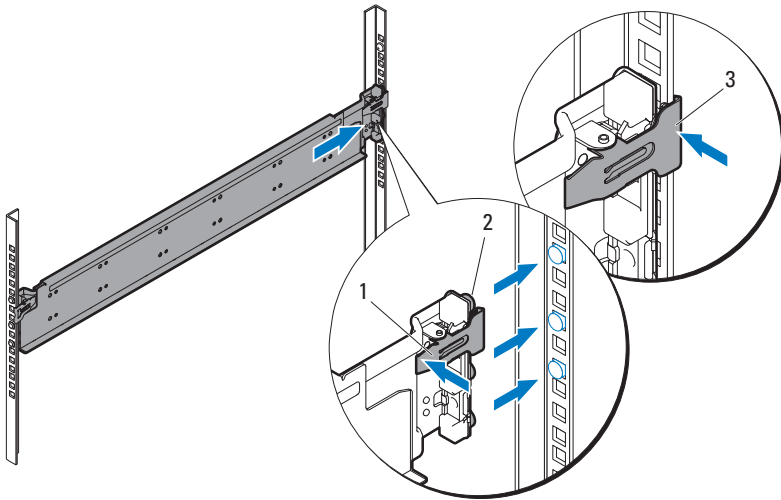
- 3** Pasang rel kiri dan braket penghenti pada rak.
- a** Posisikan rel kiri bertanda "LEFT" (KIRI) untuk disejajarkan dengan lubang pemasangannya pada tiang rak.
  - b** Tekan dan tahan tombol pembuka rel **1** untuk membuka pengait pada ujung depan rel kiri.
  - c** Sejajarkan ketiga pasak **2** dengan lubang pemasangan pada tiang rak depan.
  - d** Lepaskan tombol pengait **3** saat pengait tersebut terpasang pada tiang rak depan.

 **CATATAN:** Pastikan tombol pembuka rel terpasang dengan benar.

 **CATATAN:** Rel-rel dapat digunakan baik pada rak lubang persegi maupun pada rak lubang bulat.

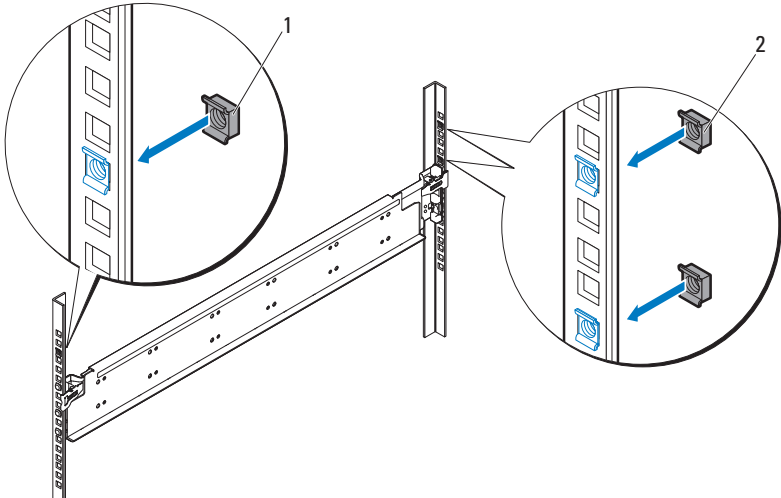


- e Tekan dan tahan pengait rel ❶ untuk membuka pengait pada ujung belakang rel.
- f Sejajarkan ketiga pasak ❷ dengan lubang pemasangan pada tiang rak belakang.
- g Lepaskan tombol pengait ❸ saat pengait tersebut terpasang pada tiang rak belakang.

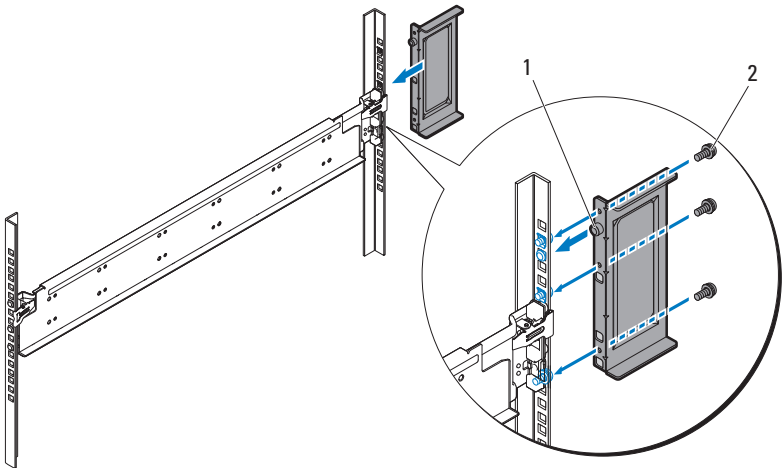




- h Pasang satu mur sangkar ❶ di tiang rak depan dan dua mur sangkar ❷ di tiang rak belakang.



- i Sejajarkan braket penghenti ❶ pada tiang rak belakang dan kencangkan dengan ketiga sekrup 10-32 ❷. Gunakan torsi 35 in-lbs pada sekrup.



- 4 Pasang rel kanan dan braket penghenti pada rak.

Gunakan prosedur yang sama untuk memasang rel kanan dan braket penghenti pada tiang rak kanan.



**CATATAN:** Untuk melepaskan rel, tekan dan tahan tombol pembuka rel yang ada di tengah bagian ujung dan lepaskan setiap rel dari dudukannya.

## Memasang Sistem

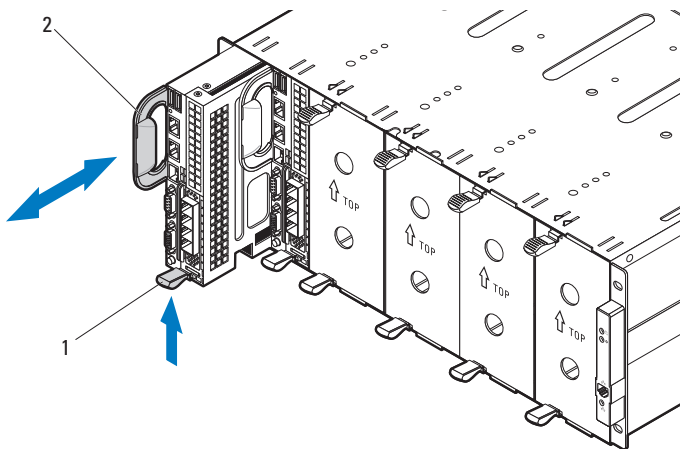
Bagian ini mencakup subbagian berikut ini:

- Mengosongkan Sistem
- Pasang Sistem pada Rak
- Penomoran Rongga Sled
- Mempopulasikan Sistem
- Pasang PDU Eksternal ke dalam Rak
- Konfigurasi Rak

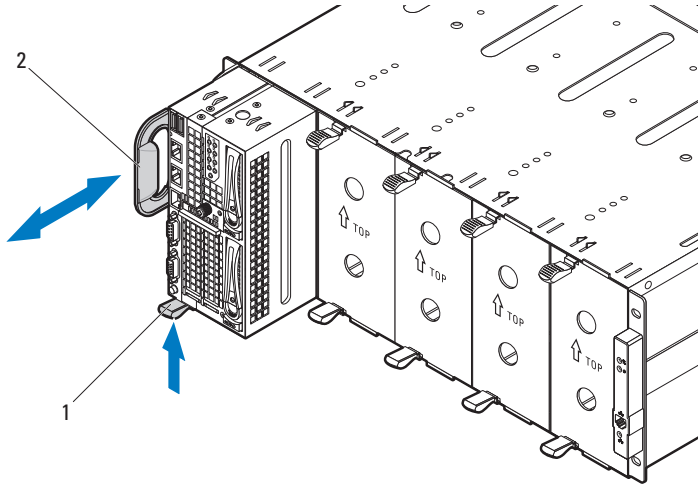
### Mengosongkan Sistem

Sebelum Anda memasang enclosure server PowerEdge C8000 ke dalam rak, lepaskan semua modul sled dari enclosure untuk mengurangi beban sistem dan menghindari cedera. Letakkan semua modul sled di atas karpet antistatik dan busa antistatik.

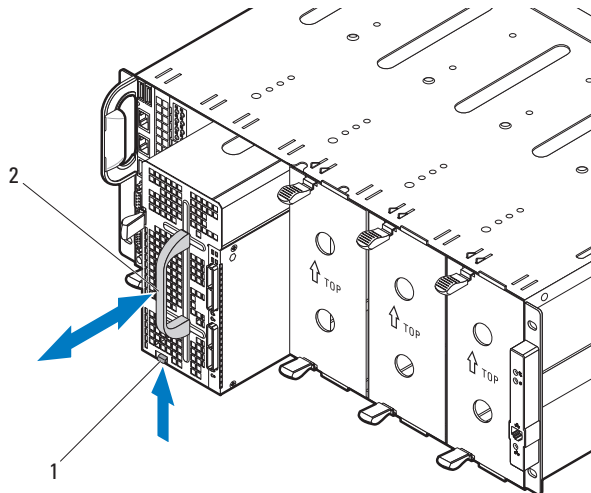
- Untuk melepaskan sled penghitung lebar tunggal C8220, tarik kait pembuka ❶ dan menggunakan pegangan ❷, geser sled keluar enclosure.



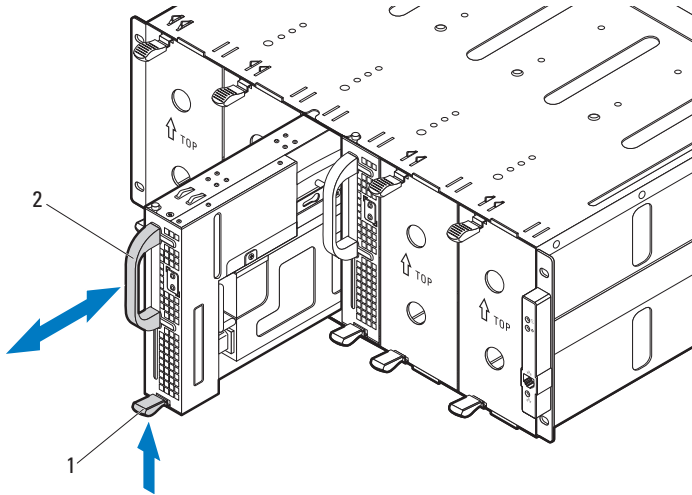
- Untuk melepaskan sled penghitung lebar ganda C8220, tarik kait pembuka ❶ dan menggunakan pegangan ❷, geser sled keluar enclosure.



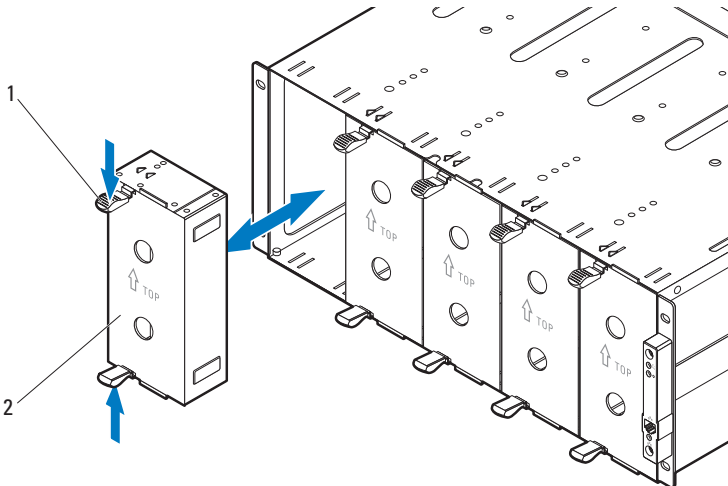
- Untuk melepaskan sled penyimpanan C8220, tarik dan tahan tab pembuka ❶ dan menggunakan pegangan ❷, geser sled keluar enclosure.



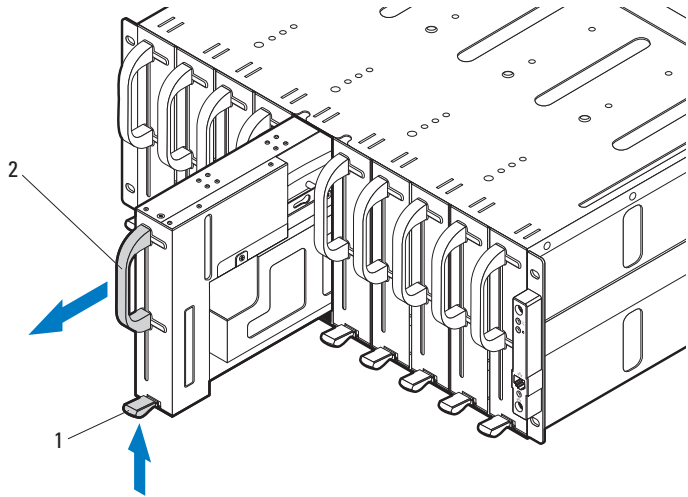
- Untuk melepaskan sled penghitung lebar ganda C8220, tarik kait pembuka **1** dan menggunakan pegangan **2** geser sled keluar enclosure.



- Untuk melepaskan sled kosong lebar ganda, tekan dan tahan kait pembuka **1** dan tarik sled kosong keluar enclosure **2**.



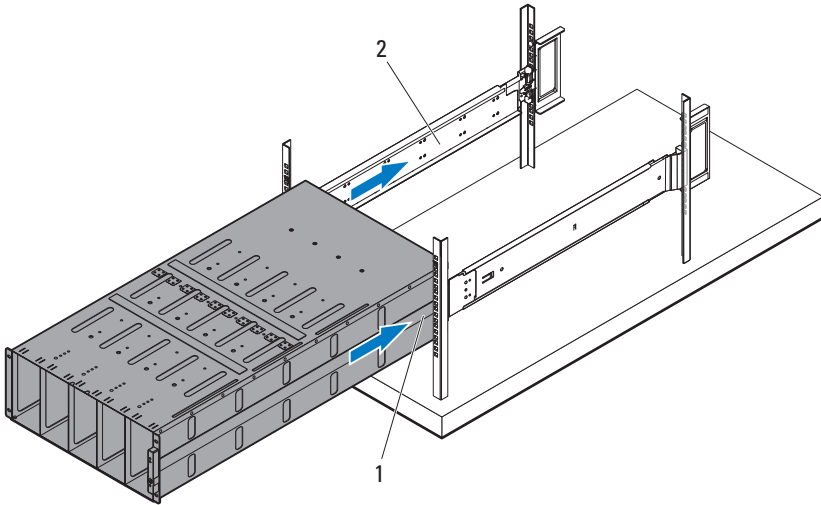
- Untuk melepaskan sled penghitung lebar tunggal C8220, tarik kait pembuka ❶ dan menggunakan pegangan ❷ geser sled keluar enclosure.



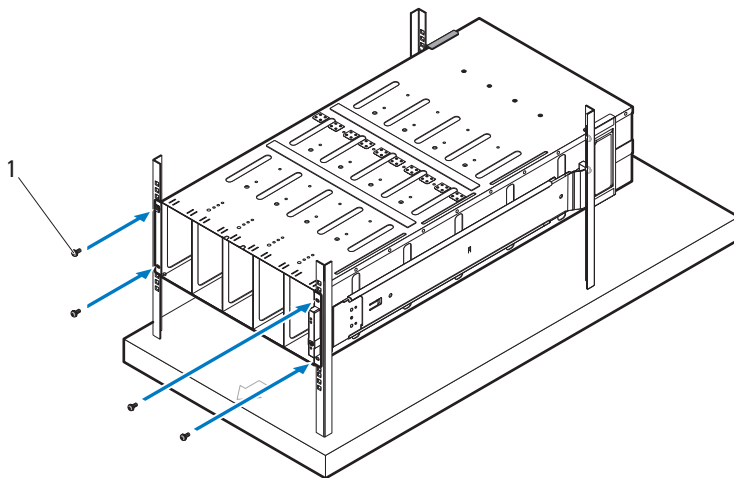
## Pasang Sistem pada Rak

**⚠ PERINGATAN:** Jika Anda perlu mengangkat sistem, mintalah orang lain untuk membantu Anda. Untuk mencegah cedera, jangan mencoba mengangkat sistem sendirian.

- 1 Dengan bantuan orang lain, sejajarkan enclosure server **1** dengan rel **2** dan tekan sepenuhnya ke dalam rak.

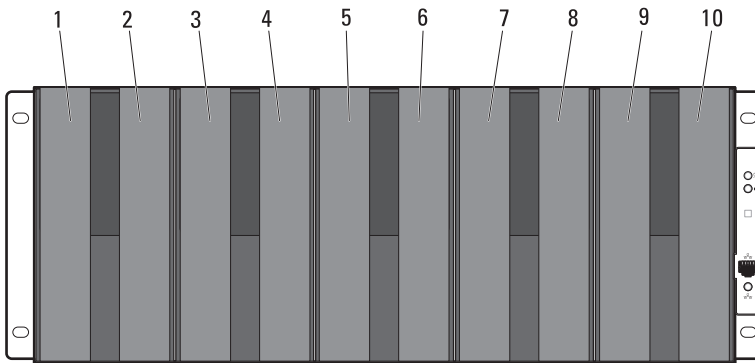


- 2 Kencangkan bagian depan enclosure pada tiang rak kiri dan kanan dengan keempat sekrup 10-32 ❶.



## Penomoran Rongga Sled

Enclosure server PowerEdge C8000 terbagi atas sepuluh rongga vertikal. Satu sled penghitung lebar tunggal C8220 menggunakan satu rongga sled dalam enclosure server dan satu sled penghitung lebar ganda C8220X atau sled penyimpanan C8000XD menggunakan dua rongga sled dalam enclosure server. Saat memasang modul sled ke dalam enclosure server, Anda harus memasang modul sled di rongga sled 1 terlebih dahulu, kemudian bergerak ke arah kanan enclosure.



Tipe modul sled	Rongga Sled									
	1	2	3	4	5 <sup>a</sup>	6 <sup>a</sup>	7	8	9	10
Sled penghitung lebar tunggal C8220	√	√	√	√	√	√	√	√	√	√
Sled penghitung lebar ganda C8220X		√		√		√		√		√
Penyimpanan C8000XD Sled <sup>b</sup>		√		√		√		√		√
Sled daya <sup>c</sup>	—	—	—	—	√	√	—	—	—	—

a. Rongga sled nomor 5 dan 6 mendukung pemasangan dua sled daya atau dua sled penghitung C8220 atau kombinasi dua tipe sled.

b. Untuk enclosure server dengan sumber daya internal, pasang sled penyimpanan C8000XD dalam rongga sled 3 hingga 10 saja.

c. Pasang sled daya di rongga 5 dan 6 saja.



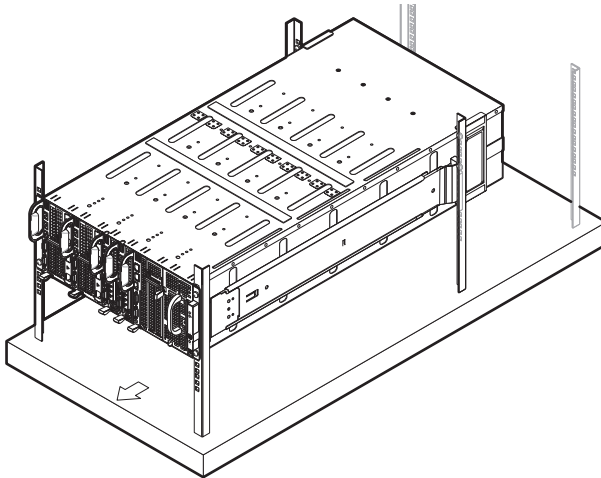
## Mempopulasikan Sistem

△ **PERHATIAN:** Untuk memastikan pengoperasian dan pendinginan yang tepat, semua rongga pada enclosure harus dipopulasikan dengan sled atau sled kosong setiap saat.

△ **PERHATIAN:** Untuk mempertahankan sistem pendingin yang tepat, semua slot hard-drive harus terpasang dalam keadaan kosong.

Pasang semua komponen ke dalam enclosure server PowerEdge C8000.

- Untuk memasang sled penghitung lebar tunggal C8220, geser sled baru ke dalam rak hingga sled terpasang sempurna dan kait pembuka terkait pada tempatnya.
- Untuk memasang sled penghitung lebar ganda C8220X, geser sled baru ke dalam rak hingga sled terpasang sempurna dan kait pembuka terkait pada tempatnya.
- Untuk memasang sled penyimpanan C8000XD, geser sled baru ke dalam rak hingga sled terpasang sempurna dan tab pelepas terkait pada tempatnya.
- Untuk memasang sled daya, geser sled baru ke dalam enclosure hingga sled terpasang sempurna dan kait pembuka terkait pada tempatnya.
- Untuk memasang sled kosong lebar-ganda, geser sled kosong ke dalam enclosure hingga sled terpasang sempurna dan kait-kait pembuka terkait pada tempatnya.
- Untuk memasang sled kosong lebar-tunggal, geser sled kosong ke dalam enclosure hingga sled terpasang sempurna dan kait pembuka terkait pada tempatnya.



## Pasang PDU Eksternal ke dalam Rak

**⚠ PERINGATAN:** Jika Anda perlu mengangkat sistem, mintalah orang lain untuk membantu Anda. Untuk mencegah cedera, jangan mencoba mengangkat sistem sendirian.

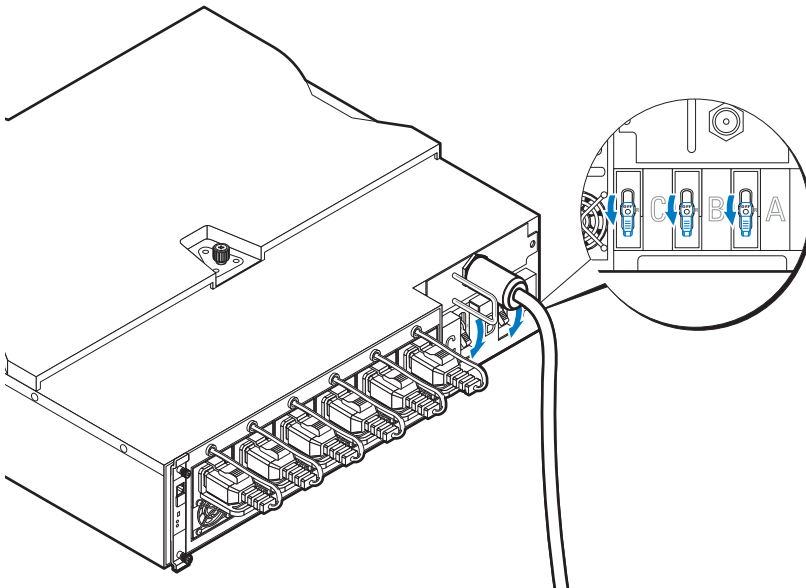
**📌 CATATAN:** Ilustrasi perangkat PDU disediakan hanya sebagai referensi. Lihat dokumentasi perangkat PDU untuk informasi lebih lanjut tentang perangkat PDU.

**📌 CATATAN:** Braket pemasangan PDU ditandai dengan L dan R. Rel bertanda "L" terpasang pada sisi kiri perangkat PDU dan rel bertanda "R" terpasang pada sisi kanan perangkat PDU.

**⚠ PERINGATAN:** Jangan menyambungkan atau memutuskan sambungan kabel daya ke perangkat PDU selama PDU disuplai daya.

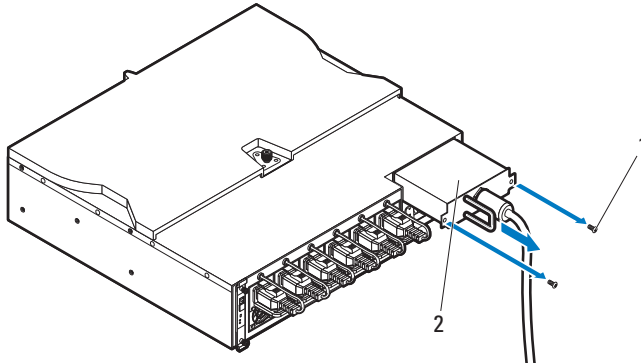
**⚠ PERINGATAN:** Nonaktifkan switch pemutus PDU untuk mencegah kejutan listrik serius atau fatal yang mungkin terjadi.

- 1 Nonaktifkan switch pemutus PDU dengan mengalihkan switch pemutus A, B, dan C ke posisi "OFF".

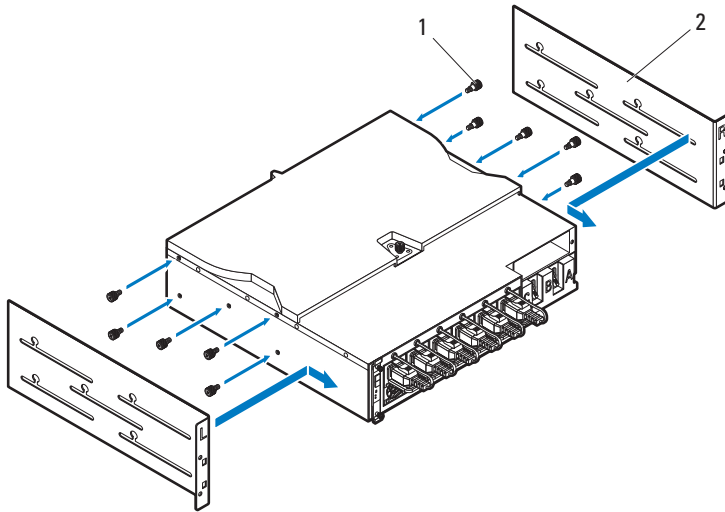


- 2 Lepaskan koneksi PDU dari sumber daya.

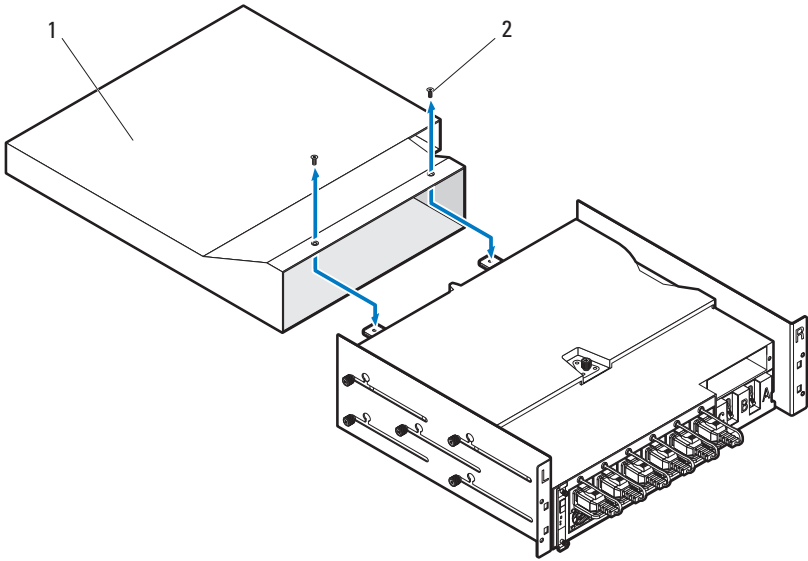
- 3** Lepaskan modul kotak interface kabel daya (PCIB).
  - a** Lepaskan kedua sekrup ❶ yang menahan modul PCIB.
  - b** Pegang pegangan PCIB dan tarik keluar dari rongganya ❷.



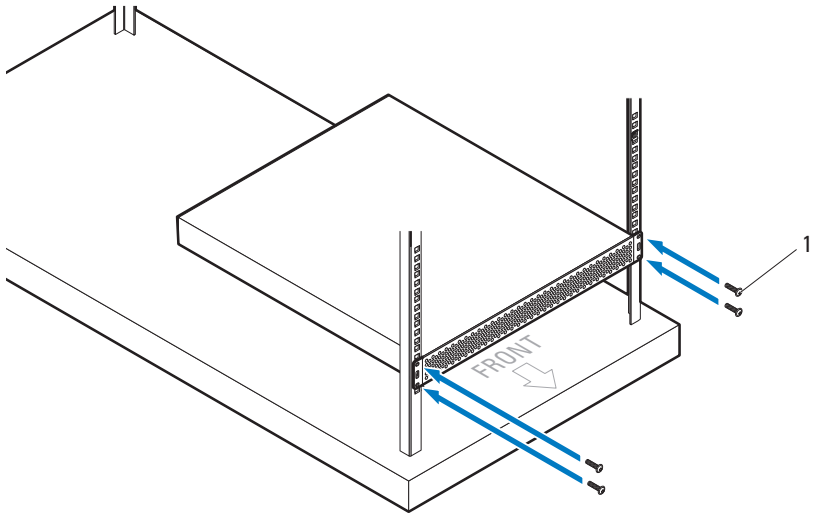
- 4** Pasang braket pemasangan ke sisi PDU.
  - a** Pasang sepuluh sekrup ❶ ke sisi kiri dan kanan PDU.
  - b** Posisikan braket pemasangan kiri bertanda "L" untuk menyelaraskan lubang sekrup dengan sekrup pada PDU dan geser braket pemasangan ke arah bagian belakang PDU hingga terpasang dengan benar pada tempatnya ❷.
  - c** Posisikan braket pemasangan kiri bertanda "R" untuk menyelaraskan lubang sekrup dengan sekrup pada PDU dan geser braket pemasangan ke arah bagian belakang PDU hingga terpasang dengan benar pada tempatnya ❷.



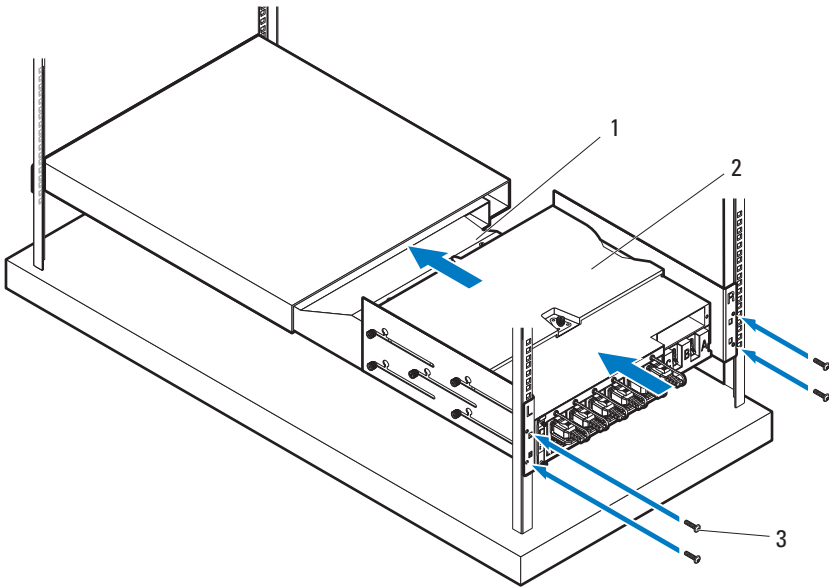
- 5** Pasang snorkel pada PDU.
  - a** Lepaskan saluran udara dari snorkel.
  - b** Sejajarkan saluran udara ❶ dengan bagian depan PDU.
  - c** Kencangkan saluran udara ke bagian depan PDU dengan dua sekrup ❷.



- d Sejajarkan snorkel dengan tiang rak.
- e Kencangkan snorkel pada tiang rak dengan empat sekrup ①.




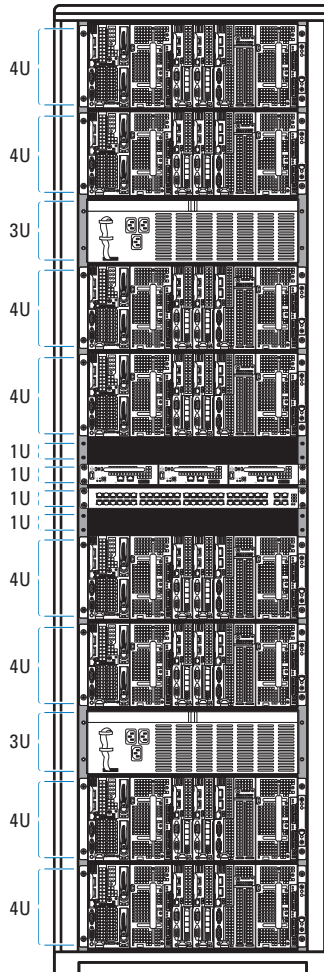
- 6 Dengan dibantu orang lain, geser saluran udara ❶ ke dalam snorkel dan kencangkan bagian belakang PDU ❷ pada tiang rak dengan empat sekrup ❸.



## Konfigurasi Rak

Ilustrasi berikut menunjukkan konfigurasi rak contoh dengan enclosure server PowerEdge C8000, unit distribusi daya (PDU), switch, dan router pada rak 42U.

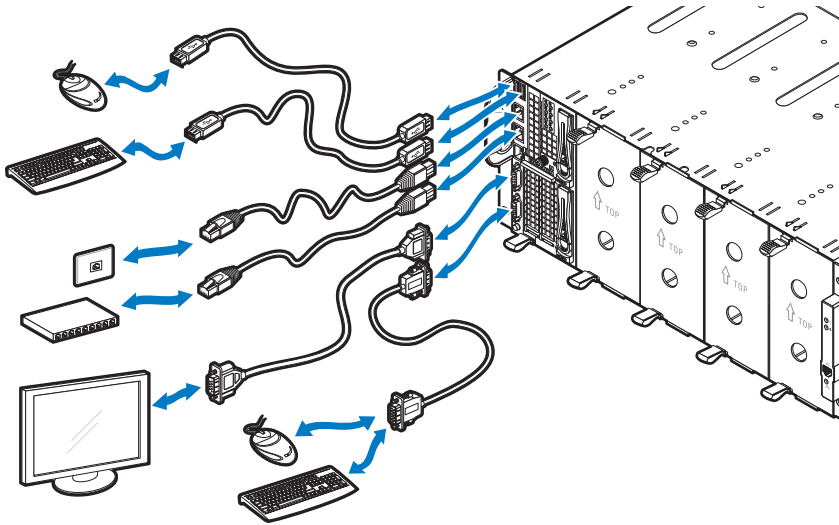
 **CATATAN:** Ilustrasi konfigurasi rak disediakan hanya sebagai referensi.



# Menghubungkan Keyboard, Mouse, dan Monitor

Sambungkan keyboard, mouse, dan monitor ke sled penghitung (opsional).

Gambar berikut menunjukkan contoh koneksi keyboard, mouse, dan monitor ke sled penghitung lebar ganda C8220X.



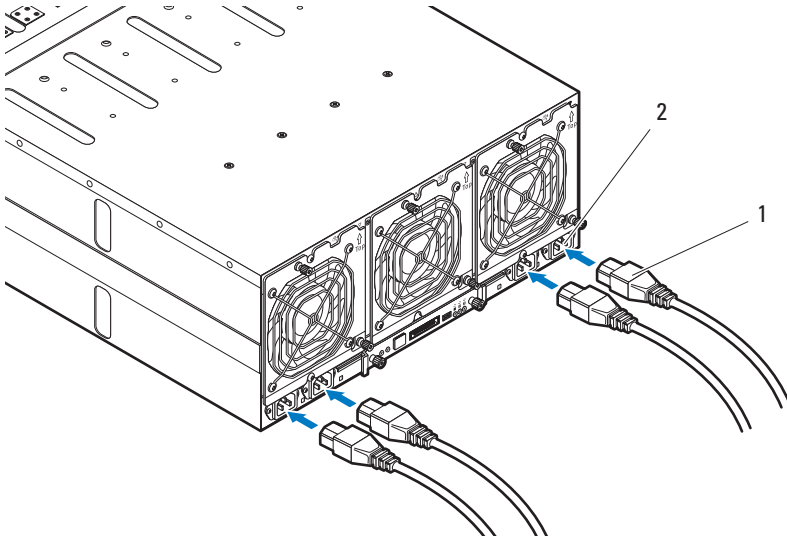


# Menghubungkan Kabel Daya

Bagian ini mencakup petunjuk untuk menghubungkan enclosure server dengan sumber daya internal atau eksternal PDU.

## Enclosure Server dengan Sumber Daya Internal

- 1 Pada bagian belakang enclosure, sambungkan kabel daya ❶ ke soket daya AC ❷.

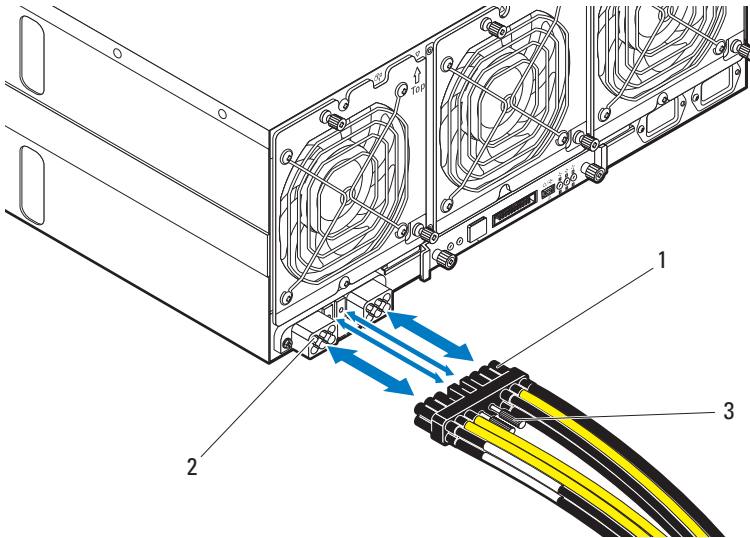


- 2 Tancapkan ujung kabel daya yang lain ke stopkontak listrik yang ditanahkan atau sumber daya terpisah seperti catu daya tak terputus atau PDU.

## Enclosure Server dengan Sumber Daya Eksternal

**⚠ PERINGATAN:** Pastikan daya dinonaktifkan pada semua perangkat sebelum membuat koneksi.

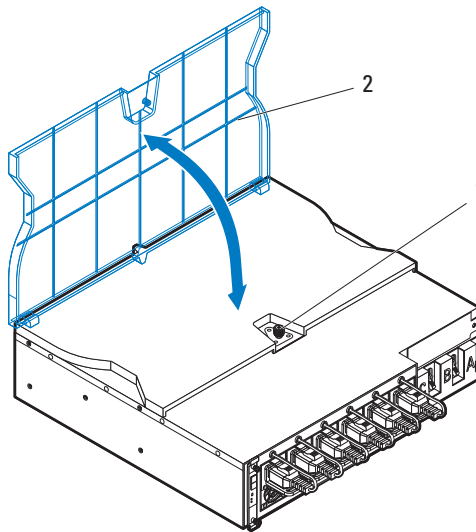
- 1 Pada bagian belakang enclosure, hubungkan kabel daya ❶ ke soket daya DC ❷.
- 2 Kencangkan dua sekrup pusat ❸ pada kabel untuk mengencangkan koneksi.



## Menyambungkan Enclosure Server ke PDU Rak

**⚠ PERINGATAN:** Jangan menyambungkan atau memutuskan sambungan kabel daya ke perangkat PDU selama PDU disuplai daya. Nonaktifkan switch pemutus PDU untuk mencegah kejutan listrik serius atau fatal yang mungkin terjadi. Alihkan switch pemutus PDU A, B, dan C ke posisi "OFF".

- 1 Buka penguncian penutup kabel ❶.
- 2 Putar bagian belakang penutup ❷ dan jauhkan dari PDU.

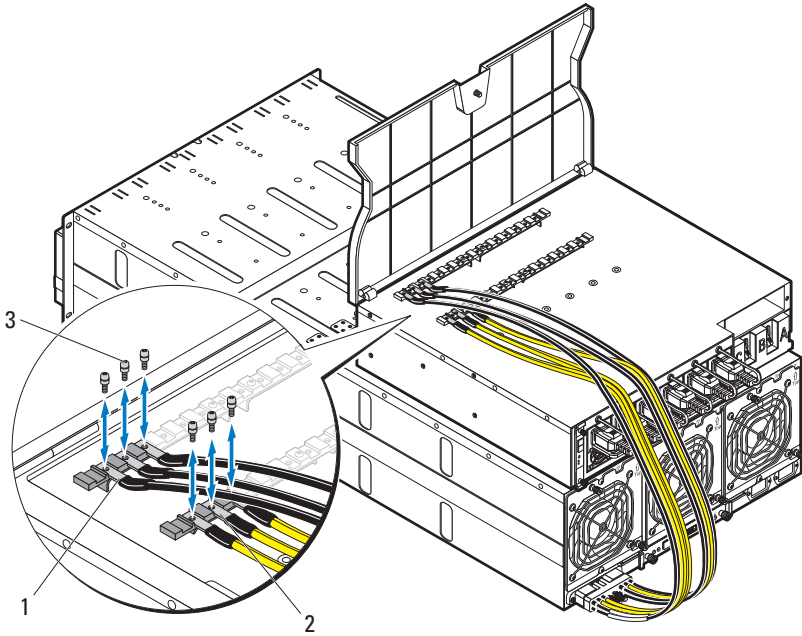


- 3 Pasang kabel daya enclosure server ke bus bar daya PDU.

**📎 CATATAN:** Perangkat PDU mendukung maksimum lima PowerEdge C8000 enclosure server tergantung pada konfigurasi sistem dan anggaran daya.

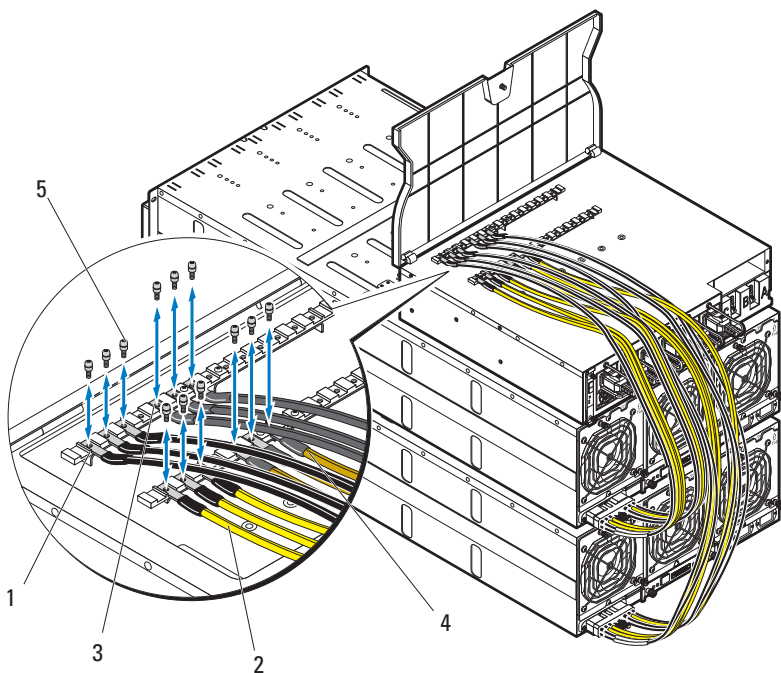
Untuk menyambungkan enclosure server tunggal ke PDU:

- a Kencangkan tiga skun kabel daya hitam ❶ ke bus bar daya bagian atas (GND) menggunakan tiga sekrup ❸.
- b Kencangkan tiga skun kabel daya kuning ❷ ke bus bar daya bagian bawah menggunakan tiga sekrup ❸.



Untuk menyambungkan beberapa enclosure server ke PDU:

- a Kencangkan tiga skun kabel daya hitam enclosure server pertama ❶ ke bus bar daya bagian atas (GND) menggunakan tiga sekrup ❺.
- b Kencangkan tiga skun kabel daya kuning enclosure server pertama ❷ ke bus bar daya bagian bawah menggunakan tiga sekrup ❺.
- c Kencangkan tiga skun kabel daya hitam enclosure server kedua ❸ ke bus bar daya bagian atas (GND) menggunakan tiga sekrup ❺.
- d Kencangkan tiga skun kabel daya kuning enclosure server kedua ❹ ke bus bar daya bagian bawah menggunakan tiga sekrup ❺.

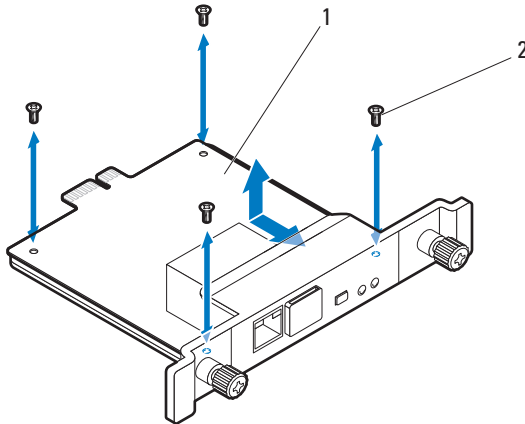


**CATATAN:** Pastikan bahwa semua kabel daya tersambung ke bus bar daya PDU dengan benar dan kencang.

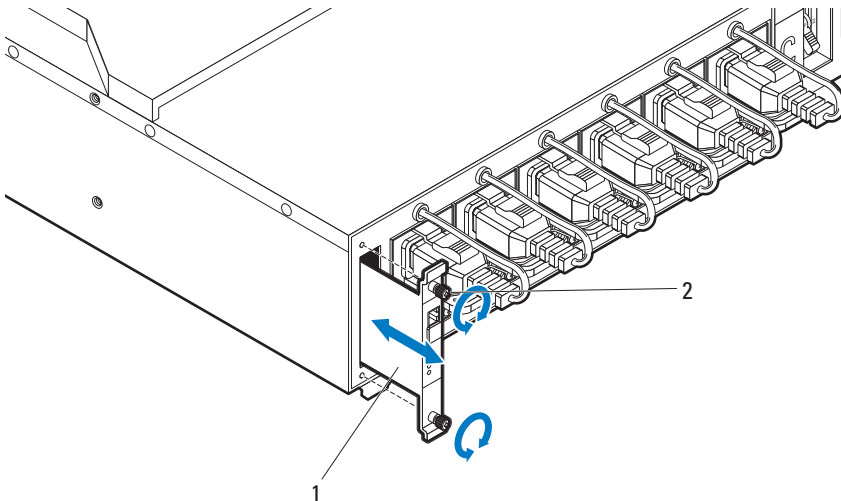
- 4 Tutup penutup kabel dan kencangkan PDU.

## Menyambungkan PDU ke Jaringan

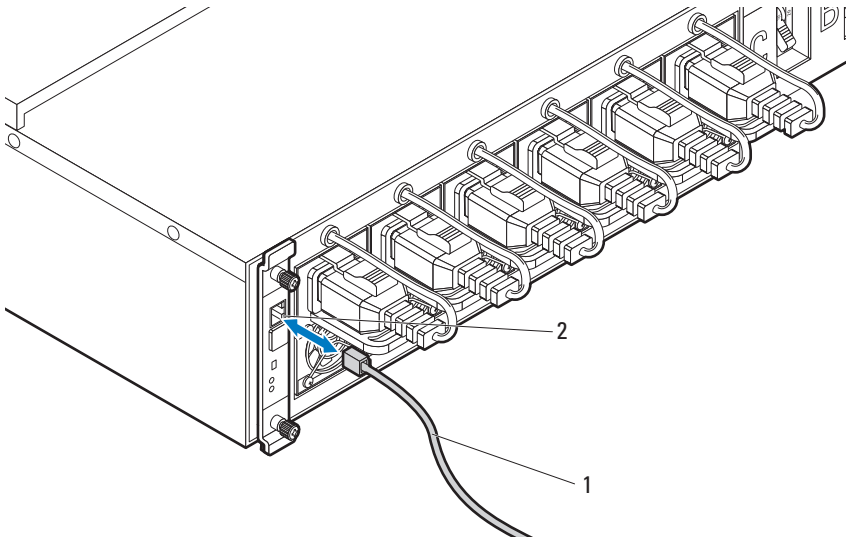
- 1 Pasang pengontrol manajemen daya (PMC) ke dalam PDU dan sambungkan ke jaringan Anda.
  - a Kencangkan papan PMC ❶ ke baki PMC menggunakan empat sekrup ❷.



- b Masukkan unit PMC ❶ ke PDU dan kencangkan dengan dua thumbscrew ❷.



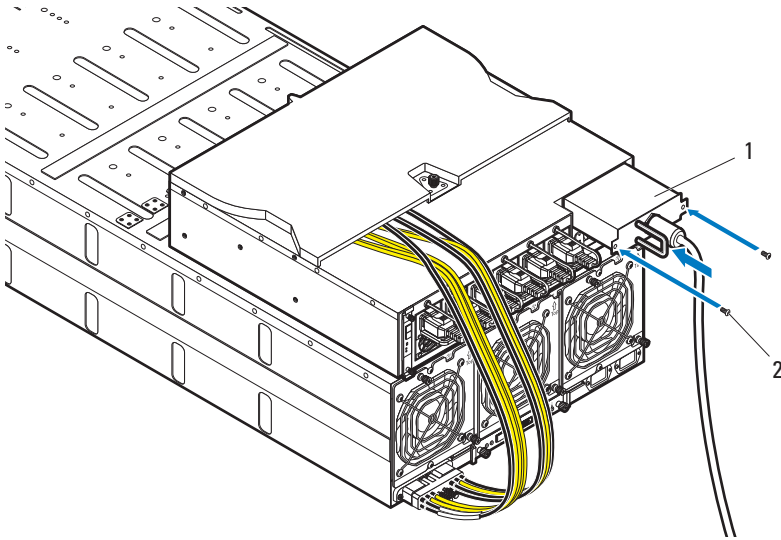
- c Sambungkan kabel jaringan ❶ ke soket NIC ❷.



# Mengaktifkan Sistem

## Mengaktifkan PDU

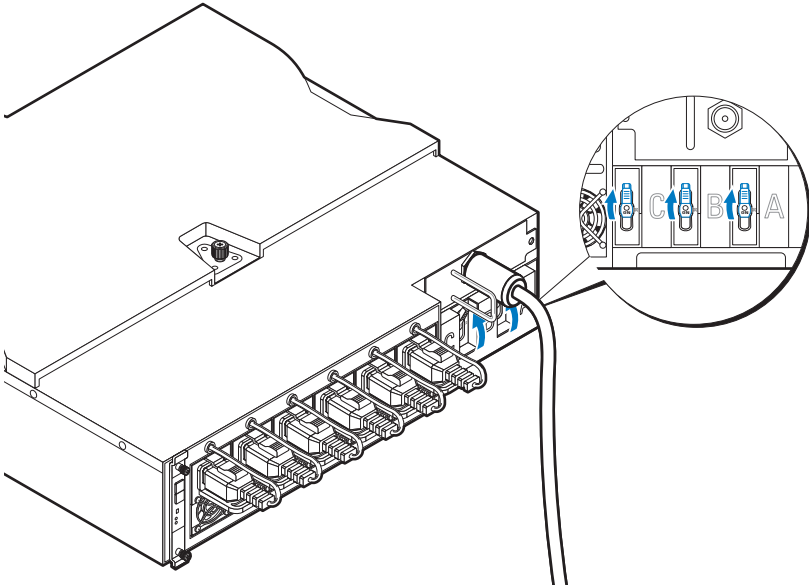
- 1 Pasang modul PCIB ke dalam PDU.
  - a Masukkan modul PCIB ke dalam rongga PCIB ❶.
  - b Kencangkan modul PCIB ke PDU dengan dua sekrup ❷.



- 2 Sambungkan PDU ke sumber daya.



- 3 Aktifkan switch pemutus PDU dengan mengalihkan switch pemutus A, B, dan C ke posisi "ON".



- 4 Untuk memungkinkan pemantauan perangkat PDU melalui jaringan, aktifkan papan PMC dengan menekan tombol daya yang terletak di papan PMC. Saat daya disuplai ke PDU, indikator daya/status di bagian depan papan PMC akan menyala hijau.

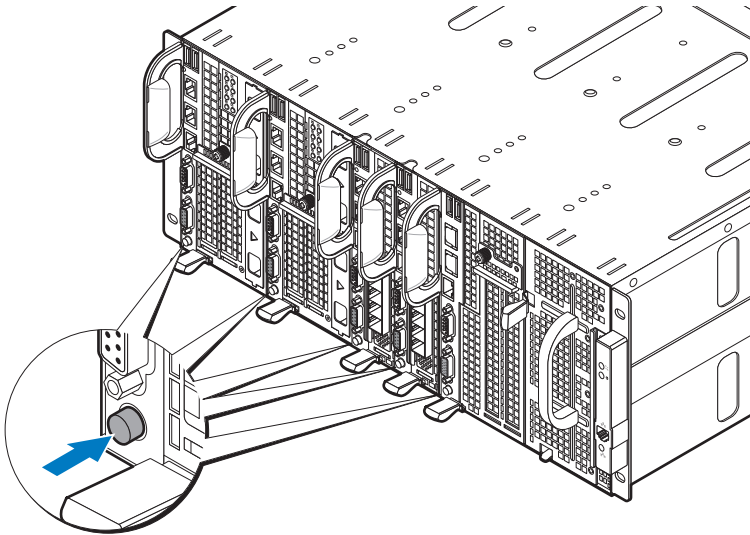
**CATATAN:** Ilustrasi papan PMC dan perangkat PDU dalam panduan ini disediakan hanya sebagai referensi. Lihat dokumentasi perangkat PDU untuk informasi lebih lanjut tentang papan PMC dan perangkat PDU.

## Mengaktifkan Enclosure Server

Ketika disambungkan ke sumber daya, daya utama akan secara otomatis didistribusikan ke enclosure server. Setelah enclosure server dinyalakan, indikator daya/kejadian di bagian depan rak akan menyala hijau dan daya utama akan diterapkan ke semua sled pada enclosure.

## Mengaktifkan Sled

Untuk mengaktifkan sled penghitung C8220 atau C8220X, tekan tombol daya di masing-masing sled atau aktifkan sled menggunakan pengontrol manajemen baseboard. Jika daya sudah diaktifkan pada sled, indikator daya di bagian depan sled akan menyala hijau. Saat terpasang pada penutup server, sled penyimpanan C8000XD akan menyala secara otomatis. Lihat dokumen Menggunakan Panduan Pengontrol Manajemen Baseboard di situs [dell.com/support/manuals](http://dell.com/support/manuals).



# Menyelesaikan Pemasangan Sistem Operasi

Untuk memasang sistem operasi untuk pertama kalinya, lihat dokumentasi instalasi dan konfigurasi untuk sistem operasi Anda. Pastikan bahwa sistem operasi telah terpasang sebelum Anda memasang perangkat keras atau perangkat lunak yang tidak dibeli bersama sistem.

## Sistem Operasi Yang Didukung

- Citrix XenServer Enterprise Edition 5.6
- Citrix XenServer Enterprise Edition 6.1
- Microsoft Windows Server 2008 Edisi Enterprise Rilis 2 (64-bit)
- Microsoft Windows Server 2012
- Microsoft Windows HPC 2008 Rilis 2
- Microsoft HyperV
- Red Hat Enterprise Linux 6.1 (64-bit)
- Red Hat Enterprise Linux 6.3 (64-bit)
- SUSE Linux Enterprise Server 11 SP2 (64-bit)
- Ubuntu 12.04.1 LTS 64-bit
- VMware ESXi 5.0
- VMware ESXi 5.0 U1
- VMware ESXi 5.0 U2
- VMware ESX 5.1
- VMware ESXi 5.1 U1



**CATATAN:** Untuk informasi terbaru mengenai sistem pengoperasian yang didukung, lihat [dell.com/ossupport](http://dell.com/ossupport).

# Informasi Lain yang Mungkin Anda Perlukan



**PERINGATAN:** Lihat informasi keselamatan dan peraturan yang disertakan dengan sistem Anda. Informasi garansi mungkin disertakan dalam dokumen ini atau sebagai dokumen yang terpisah.

- Lihat Panduan Pemilik Perangkat Keras PowerEdge C8000 untuk mendapatkan informasi mengenai fitur-fitur rak server, cara mengatasi masalah, dan penggantian komponen. Dokumen ini tersedia di situs [dell.com/support/manuals](http://dell.com/support/manuals).
- Lihat Panduan Pemilik Perangkat Keras PowerEdge C8220 untuk mendapatkan informasi mengenai fitur-fitur sistem, cara mengatasi masalah, dan penggantian komponen. Dokumen ini tersedia di situs [dell.com/support/manuals](http://dell.com/support/manuals).
- Lihat Panduan Pemilik Perangkat Keras PowerEdge C8220X untuk mendapatkan informasi mengenai fitur-fitur sistem, cara mengatasi masalah, dan penggantian komponen. Dokumen ini tersedia di situs [dell.com/support/manuals](http://dell.com/support/manuals).
- Lihat Panduan Pemilik Perangkat Keras PowerEdge C8000XD untuk mendapatkan informasi mengenai fitur-fitur sistem, cara mengatasi masalah, dan penggantian komponen. Dokumen ini tersedia di situs [dell.com/support/manuals](http://dell.com/support/manuals).
- Panduan Penggunaan Pengontrol Manajemen Baseboard memberikan informasi mengenai pemasangan dan penggunaan utilitas manajemen sistem. Dokumen ini tersedia di situs [dell.com/support/manuals](http://dell.com/support/manuals).



**CATATAN:** Selalu periksa pembaruan dan baca pembaruan tersebut terlebih dahulu karena seringkali pembaruan tersebut menggantikan informasi pada dokumen lain.

# Informasi NOM

## PowerEdge C8000

Informasi berikut tersedia pada perangkat yang diuraikan dalam dokumen ini untuk memenuhi persyaratan standar resmi Meksiko (NOM):

Importir:	Dell Inc. de México, S.A. de C.V. Paseo de la Reforma 2620-11o Piso Col. Lomas Altas 11950 México, D.F.
Nomor model:	B10S
Tegangan daya:	200–240 V CA (dengan empat Unit Catu Daya 1400 W AC) atau 12 V DC (dengan PDU eksternal)
Frekuensi:	50–60 Hz
Konsumsi arus:	9 A (x4) (dengan empat Unit Catu Daya 1400 W AC) atau 480 A (dengan PDU eksternal)

## PowerEdge C8220

Informasi berikut tersedia pada perangkat yang diuraikan dalam dokumen ini untuk memenuhi persyaratan standar resmi Meksiko (NOM):

Importir:	Dell Inc. de México, S.A. de C.V. Paseo de la Reforma 2620–11o Piso Col. Lomas Altas 11950 México, D.F.
Nomor model:	B05B
Tegangan daya:	12 V DC
Konsumsi arus:	42 A

## PowerEdge C8220X

Informasi berikut tersedia pada perangkat yang diuraikan dalam dokumen ini untuk memenuhi persyaratan standar resmi Meksiko (NOM):

Importir:	Dell Inc. de México, S.A. de C.V. Paseo de la Reforma 2620–11o Piso Col. Lomas Altas 11950 México, D.F.
Nomor model:	B06B
Tegangan daya:	12 V DC
Konsumsi arus:	92 A

## PowerEdge C8000XD

Informasi berikut tersedia pada perangkat yang diuraikan dalam dokumen ini untuk memenuhi persyaratan standar resmi Meksiko (NOM):

Importir:	Dell Inc. de México, S.A. de C.V. Paseo de la Reforma 2620–11o Piso Col. Lomas Altas 11950 México, D.F.
Nomor model:	B06B
Tegangan daya:	12 V DC
Konsumsi arus:	30 A

# Spesifikasi Teknis

---

## Spesifikasi Sled Penghitung (Per Sled)

---

### Prosesor

---

Tipe prosesor Dua prosesor seri Intel Xeon E5

Soket prosesor Dua LGA 2011

---

### Sistem chipset

---

Platform Hub Pengontrol Intel X79

Pengontrol Jaringan Intel i350-BT2

Pengontrol Video Aspeed AST2300

---

### Memori

---

Tipe memori DDR3 UDIMM, RDIMM, LRDIMM

Soket modul memori Soket 16 DIMM

Kapasitas modul memori 2 GB, 4 GB, 8 GB, 16 GB, dan 32 GB RDIMM

RAM minimum 512 MB UDIMM; 1 GB RDIMM

RAM maksimum 128 GB UDIMM; 256 GB RDIMM

Jml. saluran memori (Per CPU) 4 saluran

---

### Perangkat penyimpanan

---

PowerEdge C8220 sled penghitung lebar tunggal

- Port SATA 3 Gb/s x 4
- Port SATA 6 Gb/s x 2
- SATA HDD x2 2,5 inci

Sled penghitung lebar ganda PowerEdge C8220X

- Port SATA 3 Gb/s x 4
- Port SATA 6 Gb/s x 2
- SATA HDD ukuran 2,5 in x 2
- SAS/SATA HDD ukuran 2,5 in x 8 atau SAS/SATA HDD ukuran 3,5 in x 4
- SAS/SATA HDD hot plug ukuran 2,5 in x 2 (PowerEdge C8220X dengan hard drive hot plug akses depan ukuran 2,5 in )

---

**Spesifikasi Sled Penghitung (Per Sled) (sambungan)**

---

**Kartu grafis**

---

Sled penghitung lebar ganda PowerEdge C8220X	PowerEdge C8220X dengan GPGPU/MIC <ul style="list-style-type: none"><li>• NVIDIA Tesla M2090</li><li>• NVIDIA Tesla K20</li><li>• Intel Xeon Phi 5110P</li></ul>
---	--

---

**Slot ekspansi**

---

PowerEdge C8220 sled penghitung lebar tunggal	<ul style="list-style-type: none"><li>• Satu slot x16 PCI Express 2.0</li><li>• Satu slot mezzanine x8</li></ul>
Sled penghitung lebar ganda PowerEdge C8220X	<ul style="list-style-type: none"><li>• Dua slot x8 PCI Express 3.0 (tipe konektor x16)</li><li>• Satu slot mezzanine x8</li></ul>
PowerEdge C8220X dengan sled penghitung lebar ganda GPGPU/MIC	<ul style="list-style-type: none"><li>• Satu slot x16 PCI Express 3.0 via riser tunggal</li><li>• Satu slot x16 PCI Express 3.0 via kabel</li><li>• Satu slot mezzanine x8</li></ul>

---

**Antarmuka**

---

Port manajemen BMC	1 di depan
NIC	Dua port NIC 1Gb
Serial	1 di depan
VGA	1 di depan
USB	2 di depan
LED UID	1 di depan

---

**Daya**

---

**Baterai**

Baterai sistem	Sel koin lithium ion CR 2032 3,0–V
Baterai RAID (opsional)	Baterai lithium ion 3,7 V



---

**Spesifikasi Sled Penyimpanan (Per Sled)**

---

**Konfigurasi Sled HDD**

---

Mode port rangkap (redundansi)	Pembawa standar
Mode port tunggal (non-redundansi)	<ul style="list-style-type: none"><li>• Pembawa standar</li><li>• Pembawa fleksibel</li><li>• Pembawa tambahan</li></ul>
Mode ekspansi (non-zonasi/ dua zona/empat zona)	Pembawa tambahan

---

**Perangkat penyimpanan**

---

Pembawa standar	SAS/SATA/SSD HDD ukuran 3,5 in x 12
Pembawa fleksibel	SAS/SATA/SSD HDD ukuran 2,5 in x 12
Pembawa tambahan	SSD HDD ukuran 2,5 in x 24

---

**Antarmuka**

---

Mini-SAS	4 di depan
----------	------------

---

---

**Spesifikasi Sled Daya (Per Sled)**

---

**Antarmuka**

---

LED Daya	2 di depan
Konektor daya	2 konektor DC (12 V & GND)

---

**Modul catu daya (per catu daya)**

---

Watt Daya	1400 W
Konektor	IEC C20
Tegangan	200–240 V AC, 50–60 Hz, maks 9 A
Pelepasan panas	1205 BTU/jam maksimal
Lonjakan arus maksimum	Pada kondisi jaringan listrik tipikal dan di seluruh kisaran pengoperasian sekitar sistem, lonjakan arus dapat mencapai 25 A per catu daya selama 10 mdtk atau kurang

---

**Spesifikasi Rak Server**

---

**Fisik**

---

Tinggi	17,5 cm (6,9 in.)
Lebar	44,7 cm (17,6 in)
Panjang	81,3 cm (32,0 in.)
Berat (kosong)	17,93 kg (39,53 lbs.)

---

**Dukungan Sled**

---

Enclosure server dengan sumber daya internal	<ul style="list-style-type: none"><li>• Hingga 8 sled penghitung lebar tunggal C8220</li><li>• Hingga 4 sled penghitung lebar ganda C8220X</li><li>• Hingga 4 sled penyimpanan C8000XD</li><li>• Hingga 2 sled daya</li></ul>
Enclosure server dengan PDU eksternal	<ul style="list-style-type: none"><li>• Hingga 10 sled penghitung lebar tunggal C8220</li><li>• Hingga 5 penghitung lebar ganda C8220X</li><li>• Hingga 5 sled penyimpanan C8000XD</li></ul>

---

**Antarmuka**

---

NIC	Dua port 10/100Mbit NIC (1 di depan, 1 di belakang)
Serial	1 di belakang
LED daya/kejadian	2 (1 di depan, 1 di belakang)
LED UID	2 (1 di depan, 1 di belakang)
LED aktivitas Ethernet	1 di depan
Sensor panas	1 di depan
LED kegagalan modul kipas sistem	3 di belakang

---

**Kipas sistem**

---

Jenis kipas	3 modul kipas (2 kipas per modul/ total 6)
-------------	--

---

**Daya**

---

**Catu Daya DC**

Tegangan	
dengan PDU eksternal	12 V DC, 50–60 Hz, 680 A maks dengan 6 PSU dipopulasi

---

## Lingkungan

---

**CATATAN:** Untuk informasi tambahan mengenai tolok ukur lingkungan untuk konfigurasi sistem tertentu, lihat [www.dell.com/environmental\\_datasheets](http://www.dell.com/environmental_datasheets).

### Suhu

Pengoperasian	10°C hingga 35°C (50°F hingga 95°F) dengan gradasi suhu maksimum 10°C per jam
Penyimpanan	-40° hingga 65°C (-40° hingga 149°F) dengan gradasi suhu maksimum 20°C per jam

### Kelembapan Relatif

Pengoperasian	20% sampai 80% (tanpa kondensasi) dengan gradasi kelembapan maksimum sebesar 10% per jam
Penyimpanan	5% hingga 95% (tanpa kondensasi)

### Getaran maksimum

Pengoperasian	0,26 Grms pada frekuensi 5–350 Hz
Penyimpanan	1,87 Grms pada frekuensi 10 Hz–500 Hz selama 15 menit

### Guncangan maksimum

Pengoperasian	Satu pulsa guncangan pada sumbu z positif (satu pulsa pada setiap sisi sistem) sebesar 31 G selama 2,6 mdet di dalam orientasi operasional
Penyimpanan	Enam pulsa guncangan berturut–turut pada sumbu x, y, dan z positif dan negatif (satu pulsa pada setiap sisi sistem) sebesar 71 G selama maksimum 2 mdtk; Enam pulsa guncangan berturut–turut pada sumbu x, y, dan z positif dan negatif (satu pulsa pada setiap sisi sistem) sebesar 27 G pulsa gelombang persegi dengan perubahan kecepatan sebesar 235 inci/detik (597 sentimeter/detik)

---

**Lingkungan (*sambungan*)**

---

## Ketinggian

Pengoperasian -16 sampai 3.048 m (-50 sampai 10.000 kaki)

**CATATAN:** Untuk ketinggian di atas 2.950 kaki, suhu kerja maksimum diturunkan sebesar 1°F/550 kaki.

Penyimpanan

-16 sampai 10.600 m (-50 sampai 35.000 kaki)

## Tingkat Pencemaran Udara

Kelas

G1 sebagaimana didefinisikan oleh ISA-S71.04-1985

Dell PowerEdge  
C8000、C8220、C8220X、  
および C8000XD  
はじめに

認可モデル：B10S、B05B、および B06B  
認可タイプ：B10S001、B05B001、B06B001、  
および B06B002



## メモ、注意、警告



**メモ**：コンピュータを使いやすくするための重要な情報を説明しています。



**注意**：注意は、手順に従わない場合は、ハードウェアの損傷やデータの損失の可能性を示しています。



**警告**：物的損害、けが、または死亡の原因となる可能性があることを示しています。

---

本書の内容は予告なく変更されることがあります。

© 2013 すべての著作権は Dell Inc. にあります。

Dell Inc. の書面による許可のない複製は、いかなる形態においても厳重に禁じられています。

本書で使用されている商標：Dell™、DELL のロゴ、Dell Precision™、OptiPlex™、Latitude™、PowerEdge™、PowerVault™、PowerConnect™、OpenManage™、EqualLogic™、KACE™、FlexAddress™ および Vostro™ は Dell Inc. の商標です。Intel®、Pentium®、Xeon®、Core™、Celeron® および Xeon Phi™ は、米国およびその他の国における Intel Corporation の登録商標です。Microsoft®、Windows®、Windows Server®、MS-DOS® および Windows Vista® は米国および/またはその他の国における Microsoft Corporation の商標または登録商標です。Red Hat® および Red Hat® Enterprise Linux® は米国および/またはその他の国における Red Hat, Inc. の登録商標です。Novell® は、米国およびその他の国における Novell Inc. の登録商標です。SUSE™ は、米国およびその他の国における Novell Inc. の商標です。Oracle® は Oracle Corporation およびその関連会社の登録商標です。Citrix®、Xen®、XenServer® および XenMotion® は米国および/またはその他の国における Citrix Systems, Inc. の登録商標または商標です。VMware®、Virtual SMP®、vMotion®、vCenter®、および vSphere® は、米国またはその他の国における VMware, Inc. の登録商標または商標です。NVIDIA および Tesla™ は、NVIDIA Corporation の商標および/または登録商標です。Ubuntu は Canonical Ltd. の登録商標です。

商標または製品の権利を主張する事業体を表すために、その他の商標および社名が使用されていることがあります。それらの商標や会社名は、一切 Dell Inc. に帰属するものではありません。

認可モデル：B10S、B05B、および B06B

認可タイプ：B10S001、B05B001、B06B001、および B06B002


2013 年 1 月 P/N R8CHO Rev. A04

### 注意：立入制限区域

このサーバーは、立入制限区域にのみ設置してください。設置については、次の両方の条件が適用されます。

- 立ち入りは、その区域に制限が適用されている理由と取るべき安全措置について指導を受けているサービススタッフまたはユーザーにのみ許可されます。
- 立ち入りは、ツールもしくは錠と鍵、またはその他のセキュリティ手段を使用して行い、区域を管轄する機関によって制御されます。

## 取り付けと設定

 **警告：**次の手順を実行する前に、システムに付属しているマニュアルの「安全にお使いいただくために」をお読みください。


PowerEdge C8000 サーバーエンクロージャは、柔軟でスケーラビリティに優れた 4U ラックマウントシャーシです。PowerEdge C8000 には垂直に揃ったスレッドベイが 10 個装備されており、フルスレッドまたは混合スレッドのエンクロージャに対応しています。フルスレッドのエンクロージャには、C8220X ダブルワイドコンピュートスレッドを 5 台まで、C8220 シングルワイドコンピュートスレッドを 10 台まで、または C8000XD ストレージスレッドを 5 台まで取り付けることができます。混合スレッドのエンクロージャには、異なるスレッドタイプを混在させることができます。


## 奨励するツール

取り付けを開始する前に、以下のアイテムを用意してください。

- #1 プラスドライバ
- #2 プラスドライバ
- 接地された静電気防止用リストバンド
- 静電気防止マットまたは静電気防止エアクッション


## システムの開梱


 **警告：**システムを持ち上げる必要がある場合は、必ずだれかの手を借りてください。けがを防ぐため、決してシステムを一人で持ち上げようとしないでください。


 **注意：**システムコンポーネントを扱う際は、接地用リストストラップを身につけてください。


- 1 PowerEdge C8000 サーバーエンクロージャを置く場所に、静電気防止用マットまたは静電気防止用スポンジを用意します。
- 2 梱包を解き、エンクロージャを静電気防止用マットまたは静電気防止用スポンジの上におきます。
- 3 後々のために、ダンボールは保存しておきます。


## ツールレスレールソリューションの取り付け

 **警告：**システムを持ち上げる必要がある場合は、必ずだれかの手を借りてください。けがを防ぐため、決してシステムを一人で持ち上げようとししないでください。


 **警告：**システムはラックに固定されておらず、レールに取り付けられてもいません。人身傷害やシステムの損傷を避けるため、取り付けと取り外しの際にはシステムを十分に支えてください。


 **警告：**感電の危険を避けるため、ラックの取り付けには第3種安全用接地線が必要です。ラック装置は、システムに十分な通気を提供して適切な冷却効果を維持する必要があります。

 **注意：**正しい取り付けには、レールペグがラックポストと平らに揃っている必要があります。

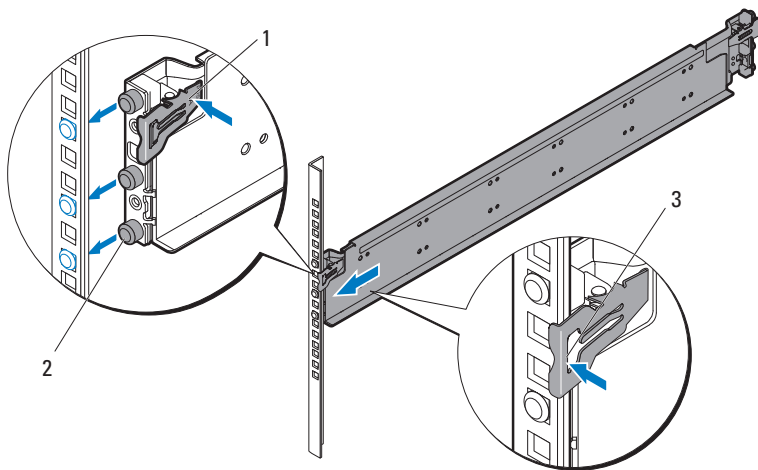
 **メモ：**ラックレールには LEFT（左）および RIGHT（右）の表示がついています。ラック前面に向かって、「LEFT」（左）が付いたレールは左側ラックポストに、「RIGHT」（右）が付いたレールは右側ラックポストに取り付けます。

- 1 ラック内でレールを取り付ける位置を定めます。ラック内には 4U シャーシに十分なスペースがあることを確認してください。標準的なラックでは、4U シャーシの高さはラックポスト穴 12 個分となります。
- 2 レール左右にある表示を使用して、ラックポストに対するレールの向きが正しくなるように調整します。
- 3 左レールと止めブラケットをラックに取り付けます。
  - a 「LEFT」（左）が付いた左レールを、ラックポストの取り付け穴に揃うように設置します。
  - b レールリリースボタン<sup>1</sup> を押し続けて、左レール前方の端にあるラッチを開きます。
  - c 3 個のペグ  $\hat{A}$  を前面ラックポストの取り付け穴に揃えます。
  - d 前面ラックポストにはめ込まれたら、ボタン  $\hat{A}$  を放します。

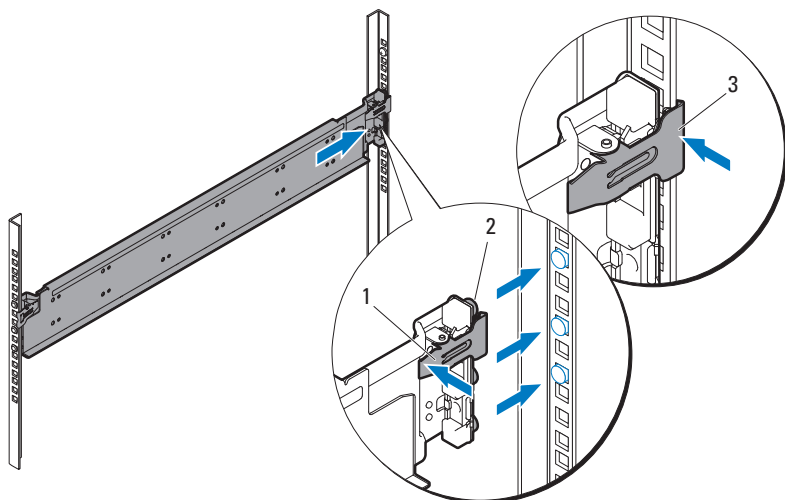
 **メモ：**レールリリースボタンが正しくはめ込まれていることを確認してください。

 **メモ：**レールは角型穴と丸型穴の両方のラックに使用できます。

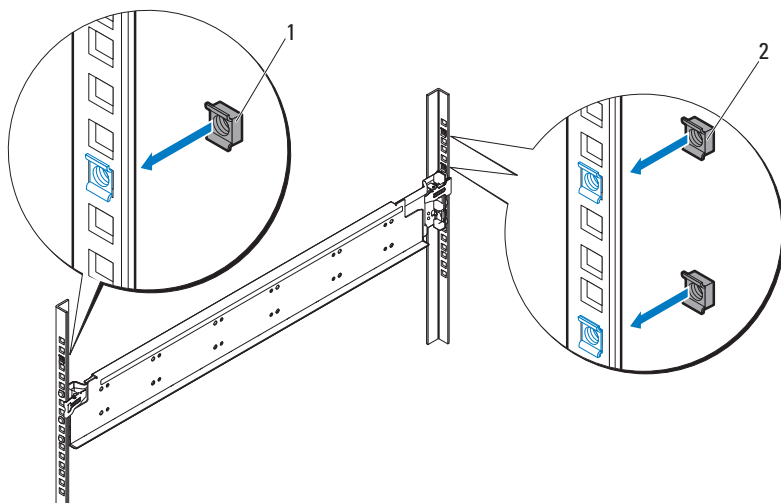




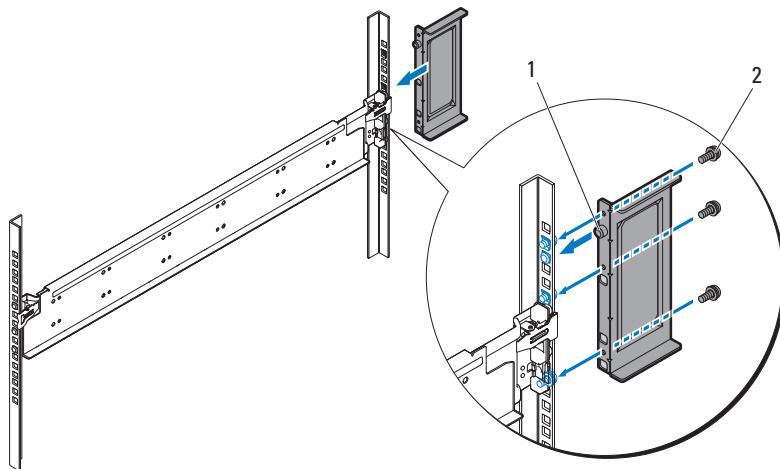
- e レールリリースボタン<sup>1</sup>を押し続けて、レール後方の端にあるラッチを開きます。
- f 3個のペグ<sup>Δ</sup>を背面ラックポストの取り付け穴に揃えます。
- g 背面ラックポストにはめ込まれたら、ボタン<sup>Δ</sup>を放します。




- h 1本のケーシナット<sup>1</sup>を前面ラックポストに、2本のケーシナット<sup>2</sup>を背面ラックポストに取り付けます。



- i 止めブラケット<sup>1</sup>を背面ラックポストに揃え、3本の10-32ネジ<sup>2</sup>で固定します。ネジは35インチポンドのトルクで締めます。



- 右レールと止めブラケットをラックに取り付けます。  
右レールと止めブラケットは、同じ手順で右側ラックポストに取り付けます。

 **メモ：**レールを取り外すには、先端部の中央にあるレールリリースボタンを押しただまにして各レールを外します。

## システムの取り付け

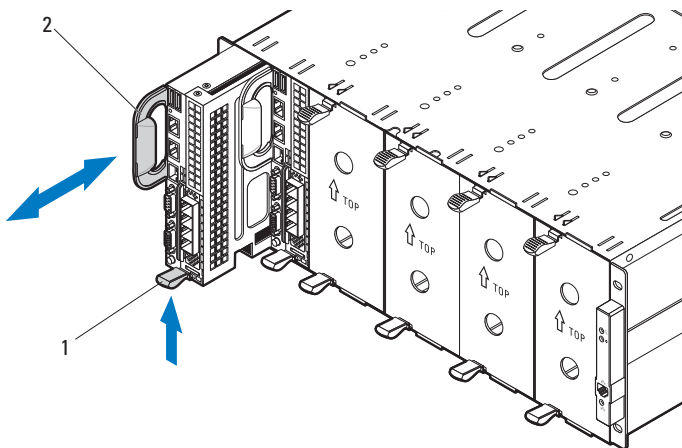
本項には以下の副項があります。

- システムを空にする
- ラックへのシステムの取り付け
- スレッドベイの番号
- システムの装着
- 外付け PDU のラックへの取り付け
- ラック構成

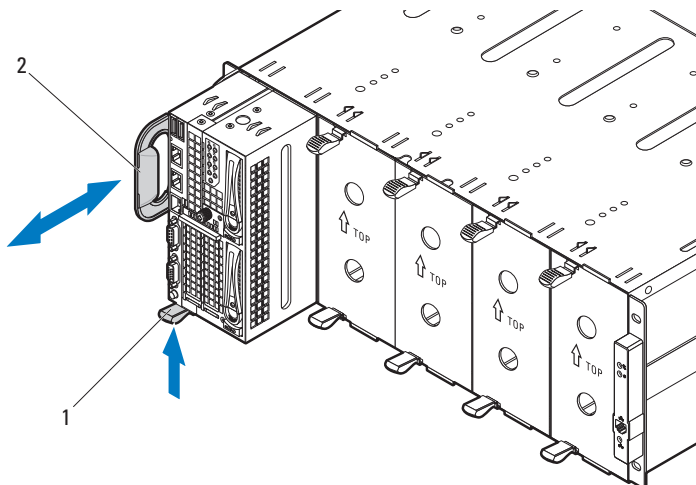
### システムを空にする

PowerEdge C8000 サーバーエンクロージャをラックに取り付ける前に、システムの重量を軽くして怪我を防ぐよう、すべてのスレッドモジュールをエンクロージャから取り外します。スレッドモジュールを静電気防止用マットまたは静電気防止用スポンジの上におきます。

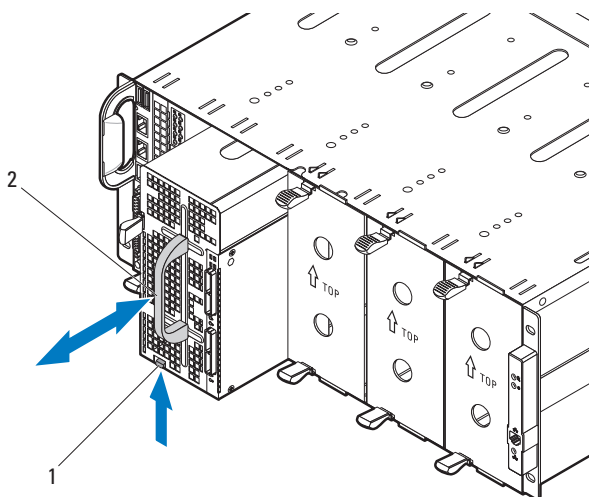
- **C8220** シングルワイドコンピュートスレッドを取り外すには、リリースラッチ<sup>1</sup>を引き上げ、ハンドル **A** を使ってスレッドをエンクロージャから引き出します。



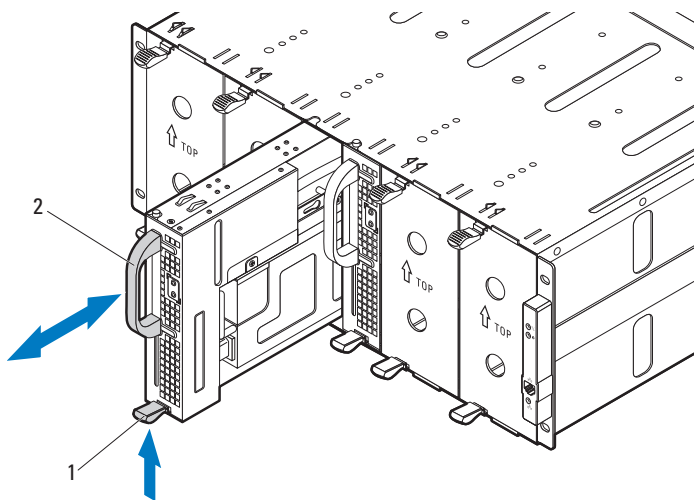
- C8220X ダブルワイドコンピュートスレッドを取り外すには、リリースラッチ<sup>1</sup>を引き上げ、ハンドル A を使ってスレッドをエンクロージャから引き出します。



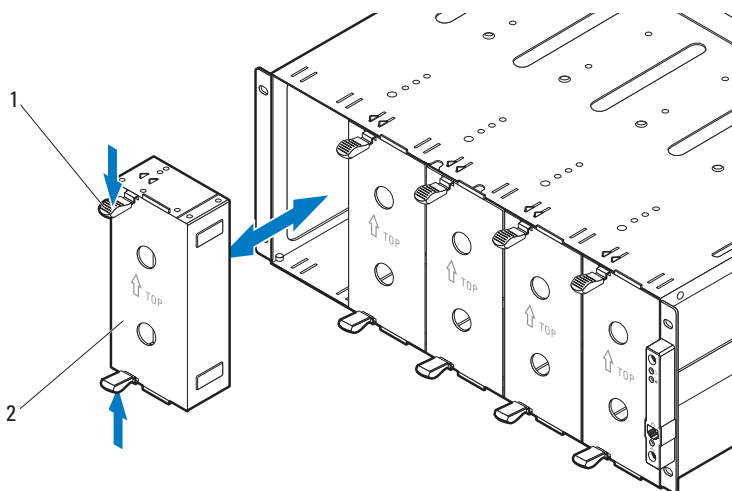
- C8000XD ストレージスレッドを取り外すには、リリーススタブ<sup>1</sup>を引き上げたままにし、ハンドル A を使ってスレッドをエンクロージャから引き出します。



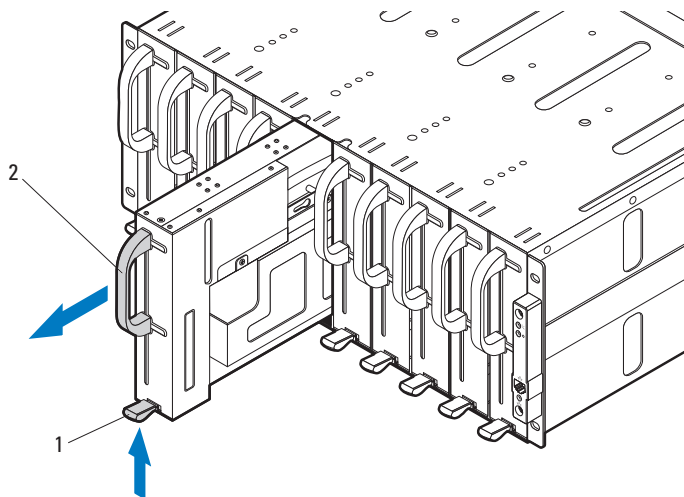
- 電源スレッドを取り外すには、リリースラッチ<sup>1</sup>を引き上げ、ハンドル<sup>2</sup>を使ってスレッドをエンクロージャから引き出します。



- ダブルワイドのスレッドダミーを取り外すには、リリースラッチ<sup>1</sup>をつまんだままにして、スレッドダミーをエンクロージャ<sup>2</sup>から引き出します。



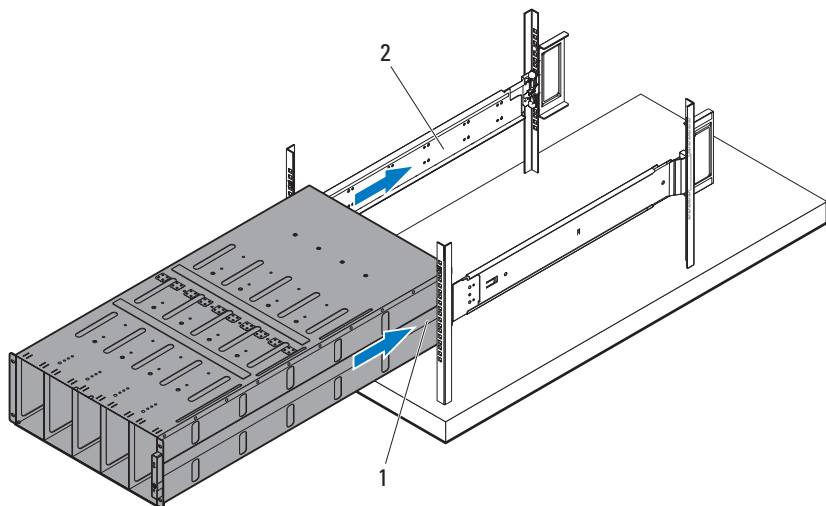
- シングルワイドのスレッドダミーを取り外すには、リリースラッチ<sup>1</sup>を引き上げ、ハンドル A を使ってスレッドをエンクロージャから引き出します。



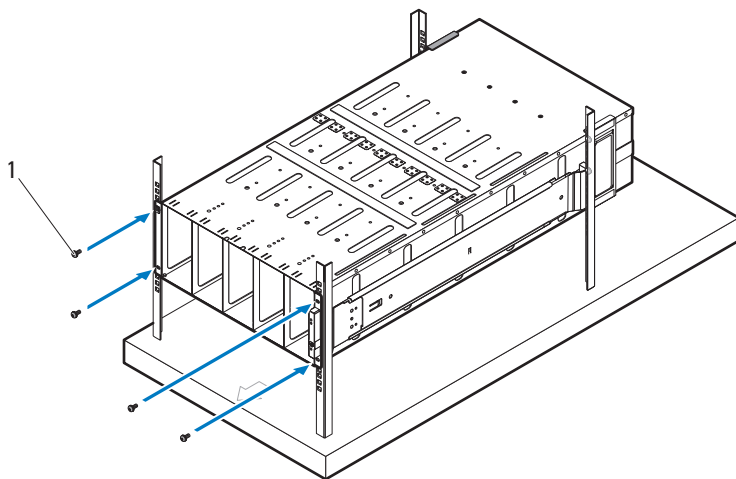
## ラックへのシステムの取り付け

**⚠ 警告：**システムを持ち上げる必要がある場合は、必ずだれかの手を借りてください。けがを防ぐため、決してシステムを一人で持ち上げようとししないでください。

- 1 誰かの手を借りて、サーバーのエンクロージャ<sup>1</sup>をレール A に合わせ、ラック内に完全に押し入れます。



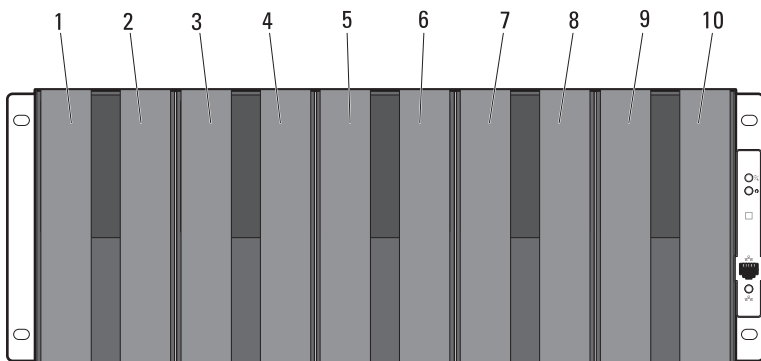
- 2 4本の10-32ネジ<sup>1</sup>でエンクロージャ前面を左右のラックポストに固定します。





## スレッドベイの番号

PowerEdge C8000 サーバーエンクロージャは 10 個の垂直なベイに分かれています。C8220 シングルワイドコンピュートスレッド 1 台はサーバーエンクロージャ内のスレッドベイ 1 個を占有し、C8220X ダブルワイドコンピュートスレッド、または C8000XD ストレージスレッド 1 台はサーバーエンクロージャ内のスレッドベイ 2 個を占有します。スレッドモジュールをサーバーエンクロージャに取り付ける際には、スレッドモジュールを最初にスレッドベイ 1 に取り付け、順にエンクロージャの右に向かって取り付けていきます。



スレッドモジュールの タイプ	スレッドベイ									
	1	2	3	4	5 <sup>a</sup>	6 <sup>a</sup>	7	8	9	10
C8220 シングルワイド コンピュートスレッド	√	√	√	√	√	√	√	√	√	√
C8220X シングルワイド コンピュートスレッド		√		√		√		√		√
C8000XD ストレージ スレッド <sup>b</sup>		√		√		√		√		√
電源スレッド <sup>c</sup>	—	—	—	—	√	√	—	—	—	—

a. スレッドベイ 5 と 6 は、2 台の電源スレッド、2 台の C8220 コンピュートスレッド、または 2 つのスレッドタイプの組み合わせの取り付けをサポートします。

b. 内蔵電源装備のサーバーエンクロージャでは、C8000XD ストレージスレッドはベイ 3 ~ 10 のみに取り付けください。

c. 電源スレッドはスレッドベイ 5 および 6 のみに取り付けます。

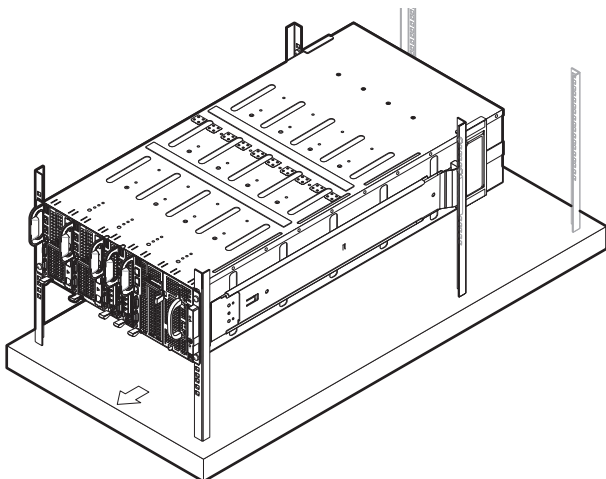
## システムの装着

△ 注意：システムの正常な動作と冷却を確保するため、エンクロージャ内のすべてのベイにスレッドまたはスレッドダミーのいずれかを常時装着しておく必要があります。

△ 注意：システムの正常な冷却状態を維持するために、空のハードドライブスロットすべてにハードドライブダミーを取り付ける必要があります。

すべてのコンポーネントを PowerEdge C8000 サーバーエンクロージャに取り付けます。

- C8220 シングルワイドコンピュートスレッドを取り付けるには、新しいスレッドをエンクロージャに挿入し、スレッドが完全に装着され、リリースラッチがカチッと固定されるまで押し込みます。
- C8220X ダブルワイド コンピュートスレッドを取り付けるには、新しいスレッドをエンクロージャに挿入し、スレッドが完全に装着され、リリースラッチがカチッと固定されるまで押し込みます。
- C8000XD ストレージスレッドを取り付けるには、新しいスレッドをエンクロージャに挿入し、スレッドが完全に装着され、リリースタブがカチッと固定されるまで押し込みます。
- 電源スレッドを取り付けるには、新しいスレッドをエンクロージャに挿入し、スレッドが完全に装着され、リリースラッチがカチッと固定されるまで押し込みます。
- ダブルワイドのスレッドダミーを取り付けるには、ダミーをエンクロージャに挿入し、ダミーが完全に装着され、リリースラッチがカチッと固定されるまで押し込みます。
- シングルワイドのスレッドダミーを取り付けるには、ダミーをエンクロージャに挿入し、ダミーが完全に装着され、リリースラッチがカチッと固定されるまで押し込みます。



## 外付け PDU のラックへの取り付け

**⚠ 警告：**システムを持ち上げる必要がある場合は、必ずだれかの手を借りてください。けがを防ぐため、決してシステムを一人で持ち上げようとししないでください。

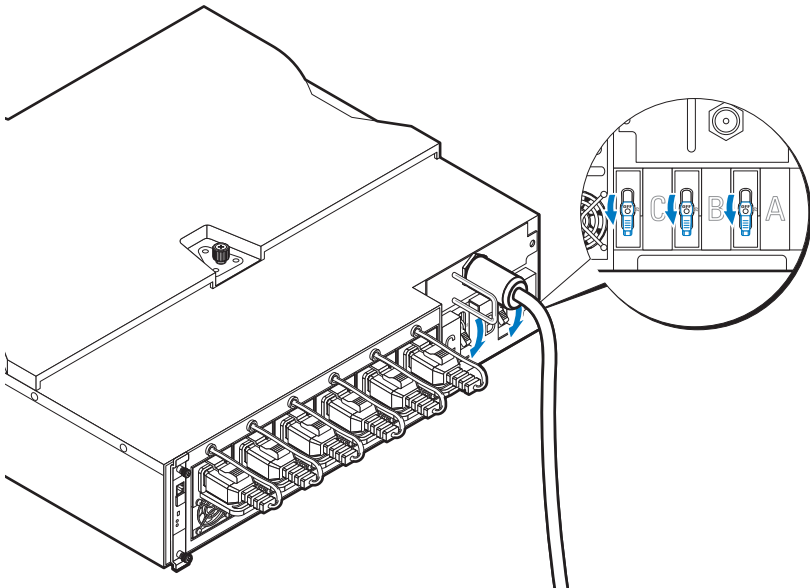
**📎 メモ：**PDU デバイス図は参考用です。PDU デバイスの詳細については、PDU デバイスマニュアルを参照してください。

**📎 メモ：**PDU 取り付けブラケットには L および R の表示が付いています。「L」の付いたレールは PDU デバイスの左側に、「R」の付いたレールは PDU デバイスの右側に取り付けます。

**⚠ 警告：**PDU に電圧が印加されている間は、PDU デバイスに電源ケーブルを接続したり、デバイスから取り外したりしないでください。

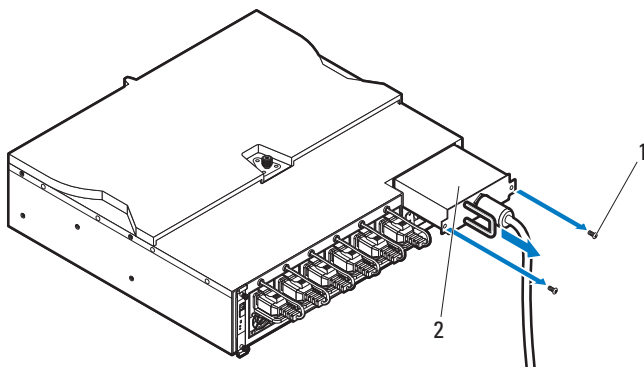
**⚠ 警告：**PDU ブレーカースイッチを切って、重大または死に至る感電の可能性を回避してください。

- 1 PDU ブレーカースイッチは、ブレーカースイッチ A、B、および C を「OFF」（オフ）の位置にしてスイッチを切ります。

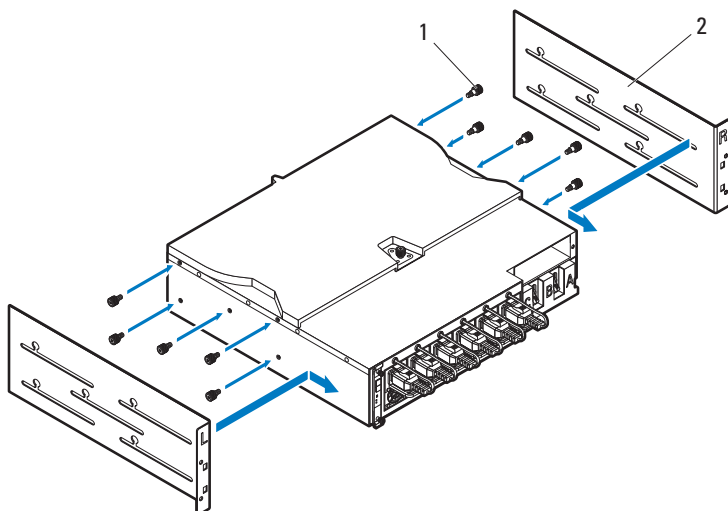


- 2 PDU を電源から外します。

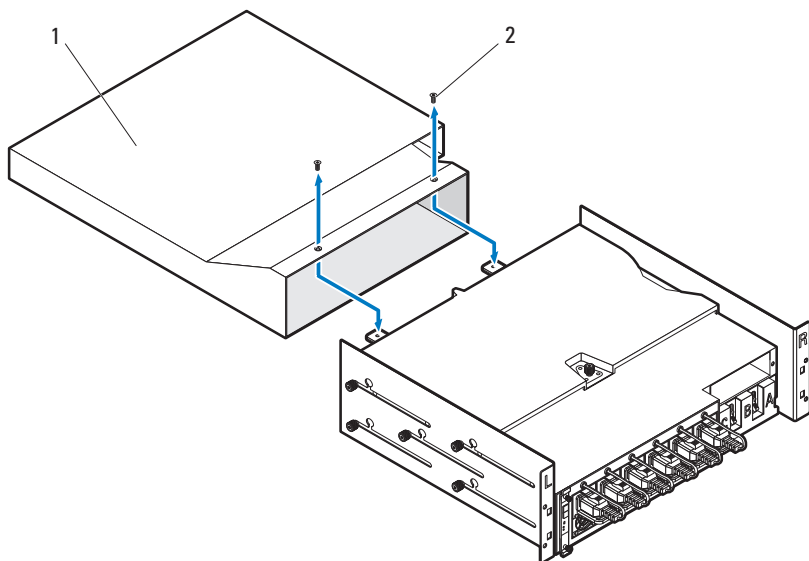
- 3** 電源ケーブルインタフェースボックス (PCIB) モジュールを取り外します。
- a** PCIB モジュールを固定している 2 本のネジ<sup>1</sup>を取り外します。
  - b** PCIB ハンドルを掴み、ベイ A から引き出します。



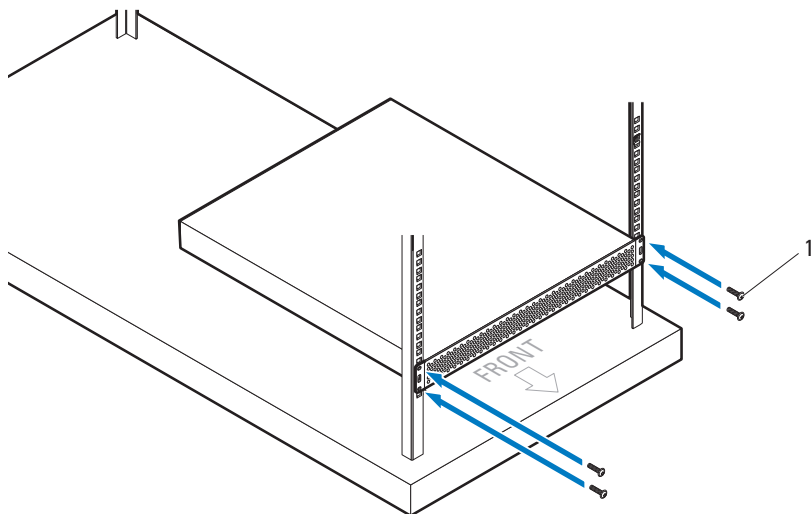
- 4 取り付けブラケットを PDU の両側に取り付けます。
- a 10 本のネジ<sup>1</sup>を PDU の左右側面に取り付けます。
  - b PDU のネジがネジ穴に揃うように「L」が付いた左取り付けブラケットの位置を合わせ、所定の位置 A にロックされるまで、取り付けブラケットを PDU 後方に向かってスライドさせます。
  - c PDU のネジがネジ穴に揃うように「R」が付いた右取り付けブラケットの位置を合わせ、所定の位置 A にロックされるまで、取り付けブラケットを PDU 後方に向かってスライドさせます。



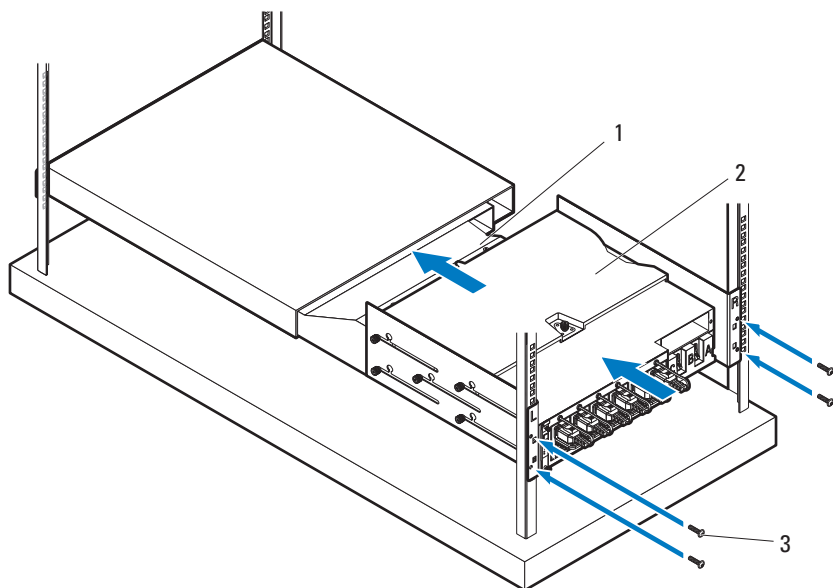
- 5 スノーケルを PDU に取り付けます。
- a スノーケルからエアダクトを取り外します。
  - b エアダクト<sup>1</sup>を PDU の前面に揃えます。
  - c 2本のネジ A でエアダクトを PDU の前面に固定します。



- d スノーケルをラックポストに挿えます。
- e 4本のネジ<sup>1</sup>でスノーケルをラックポストに固定します。




- 6 誰かの手を借りて、エアダクト<sup>1</sup>をスノーケルに挿入し、4本のネジ<sup>Ã</sup>でPDU<sup>À</sup>背面をラックポストに固定します。

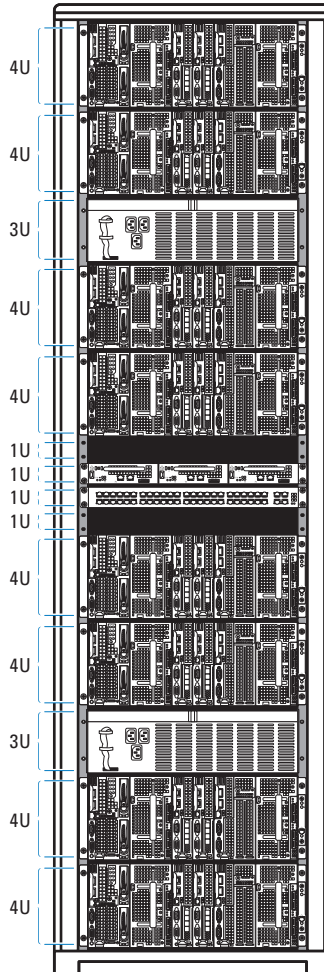




## ラック構成

次の図は、PowerEdge C8000 サーバーエンクロージャ、配電ユニット (PDU) デバイス、スイッチ、およびルーターを備えた 42U ラックにおけるラック構成例を示しています。

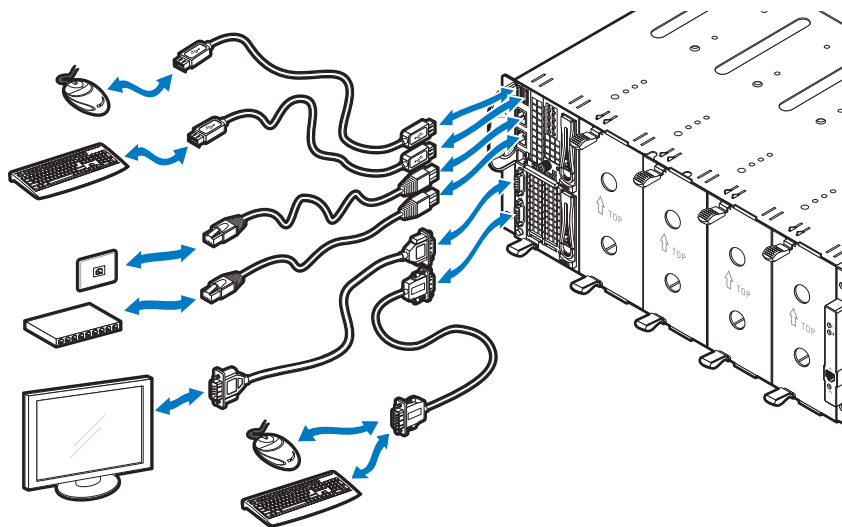
 **メモ：**ラック構成図は参考用です。



## キーボード、マウス、モニタの接続

キーボード、マウス、モニタをコンピュータスレッドに接続します（オプション）。

下図は、キーボード、マウス、モニタを C8220X ダブルワイドコンピュータスレッドに接続する例を示したものです。

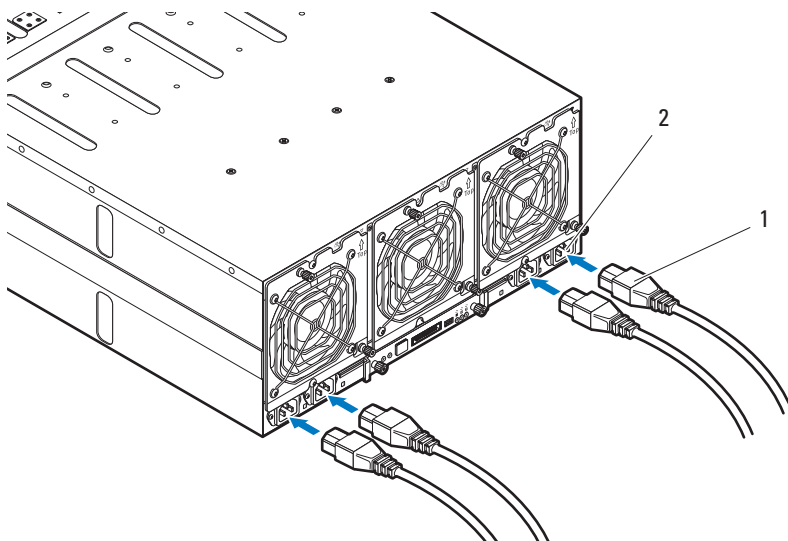


## 電源ケーブルの接続

本項では、内蔵電源または外部電源を装備したサーバーエンクロージャを外付け PDU に接続する方法について説明します。

### 内蔵電源装備のサーバーエンクロージャ

- 1 エンクロージャ背面で、AC 電源ソケット A に電源ケーブル<sup>1</sup>を接続します。

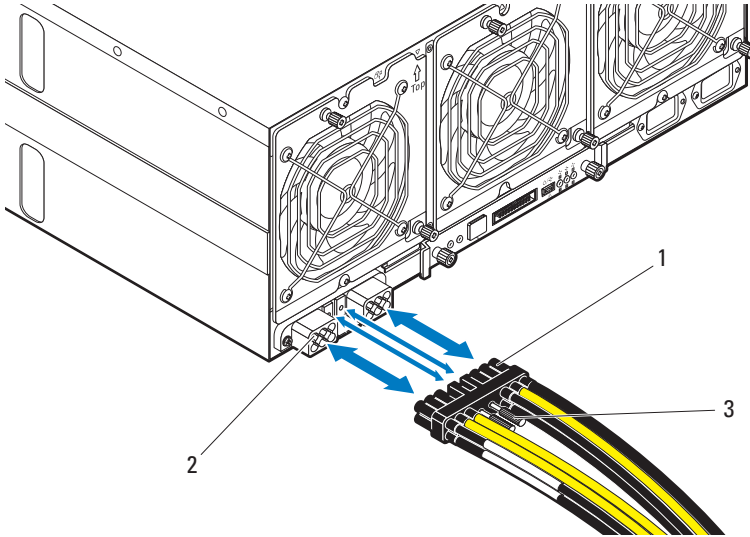


- 2 電源ケーブルのもう一方の端を、接地済みコンセントまたは無停電電源装置や PDU などの単独の電源に接続します。

## 外部電源装備のサーバーエンクロージャ

**⚠ 警告：** 接続を行う前に、すべてのデバイスで電源がオフになっていることを確認してください。

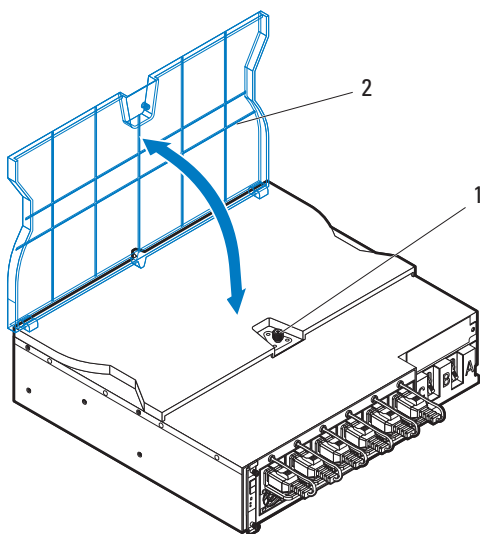
- 1 エンクロージャ背面で、DC 電源ソケット  $\text{A}$  に電源ケーブル  $1$  を接続します。
- 2 ケーブルにある 2 本の中央のネジ  $\text{B}$  を締めて、接続を固定します。




## サーバーエンクロージャのラック PDU への 接続

**!** 警告：PDU に電圧が印加されている間は、PDU デバイスに電源ケーブルを接続したり、デバイスから取り外したりしないでください。PDU ブレーカースイッチを切って、重大または死に至る感電の可能性を回避してください。PDU A、B、および C ブレーカースイッチを「OFF」（オフ）の位置にします。

- 1 ケーブルカバー<sup>1</sup>のロックを解除します。
- 2 カバー A を回転させて、PDU から離します。

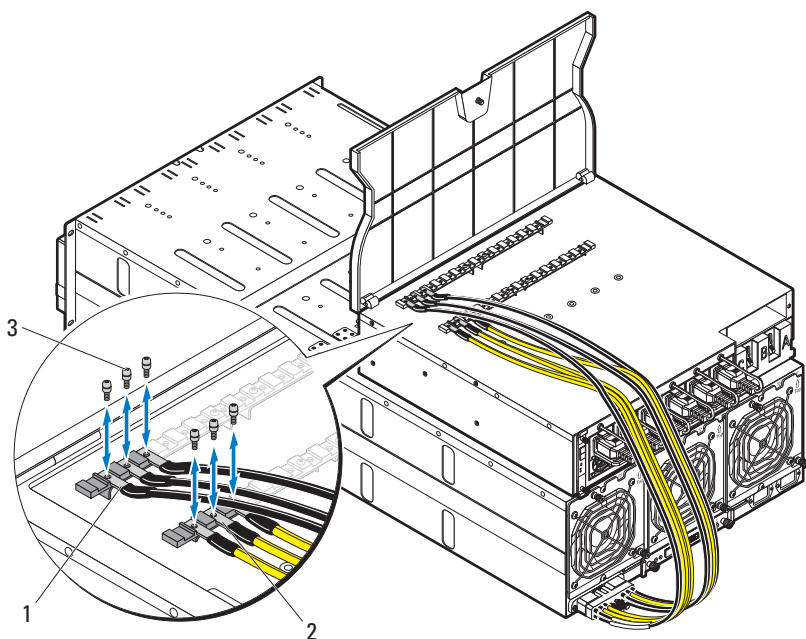


- 3** サーバーエンクロージャの電源ケーブルを PDU の電源バスバーに取り付けます。

 **メモ**：PDU デバイスは、システム構成および電力バジェットに応じて最大 5 台の PowerEdge C8000 サーバエンクロージャをサポートします。

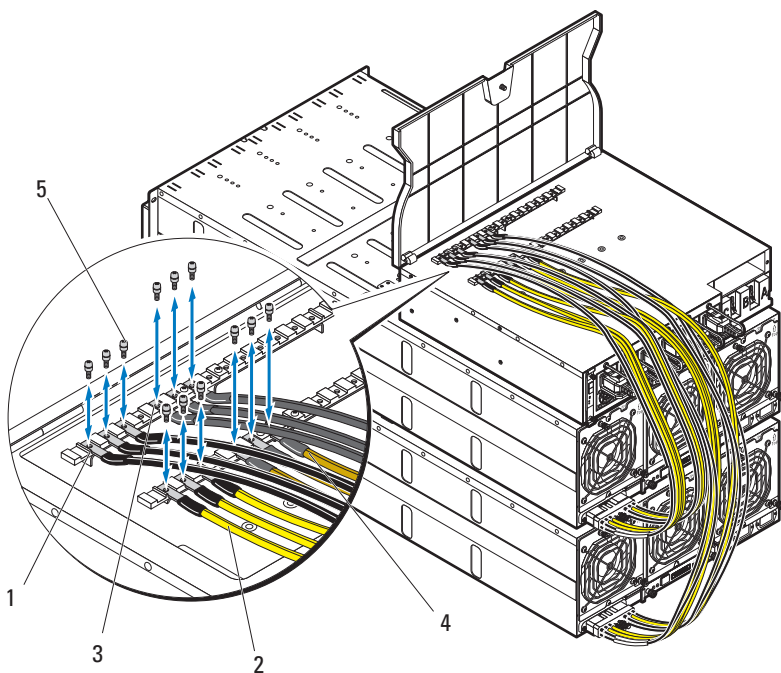
単一のサーバーエンクロージャを PDU に接続するには、次の手順を実行します。

- a** 3 個の黒色の電源ケーブルのつまみ  $\tilde{A}$  を、3 本のネジ  $\tilde{1}$  で上部電源バスバー (GND) に固定します。
- b** 3 個の黄色の電源ケーブルのつまみ  $\tilde{A}$  を、3 本のネジ  $\tilde{A}$  で下部電源バスバーに固定します。



複数のサーバーエンクロージャを PDU に接続するには、次の手順を実行します。

- a 最初のサーバーエンクロージャにある 3 個の黒色の電源ケーブルのつまみ **1** を、3 本のネジ **3** で上部電源バスバー（GND）に固定します。
- b 最初のサーバーエンクロージャにある 3 個の黄色の電源ケーブルのつまみ **2** を、3 本のネジ **3** で下部電源バスバーに固定します。
- c 2 台目のサーバーエンクロージャにある 3 個の黒色の電源ケーブルのつまみ **4** を、3 本のネジ **3** で上部電源バスバー（GND）に固定します。
- d 2 台目のサーバーエンクロージャにある 3 個の黄色の電源ケーブルのつまみ **5** を、3 本のネジ **3** で下部電源バスバーに固定します。



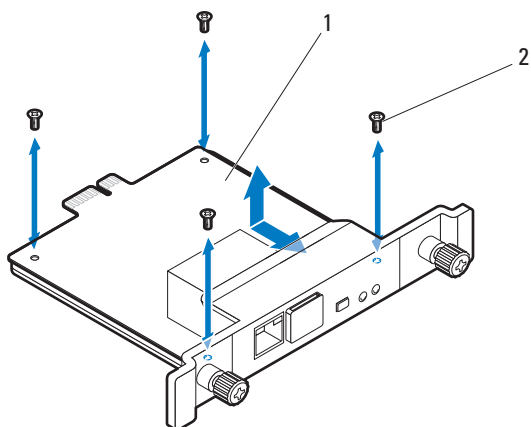
**メモ：**すべての電源ケーブルが PDU 電源バスバーに正しくしっかりと接続されていることを確認してください。

- 4 ケーブルカバーを閉じて、PDU に固定します。

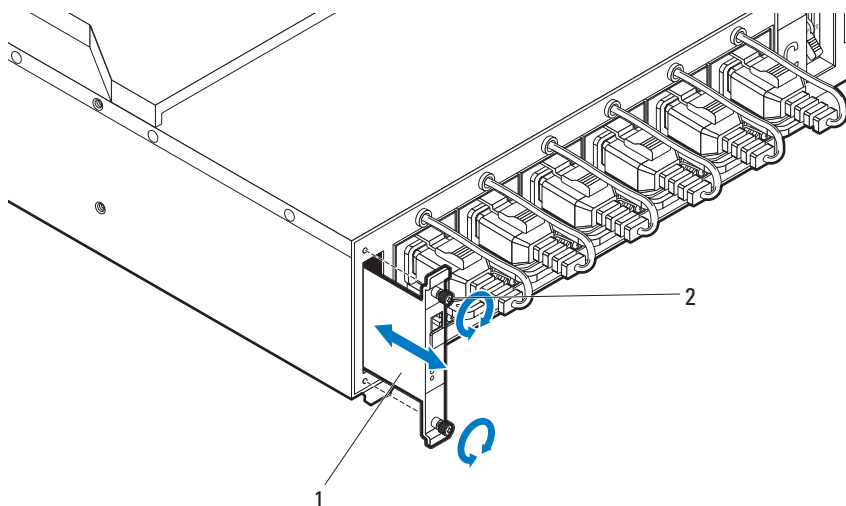
## PDU のネットワークへの接続

1 電源管理コントローラ（PMC）を PDU に取り付け、お使いのネットワークに接続します。

a 4本のネジ A で PMC 基板 1 を PMC トレイに固定します。

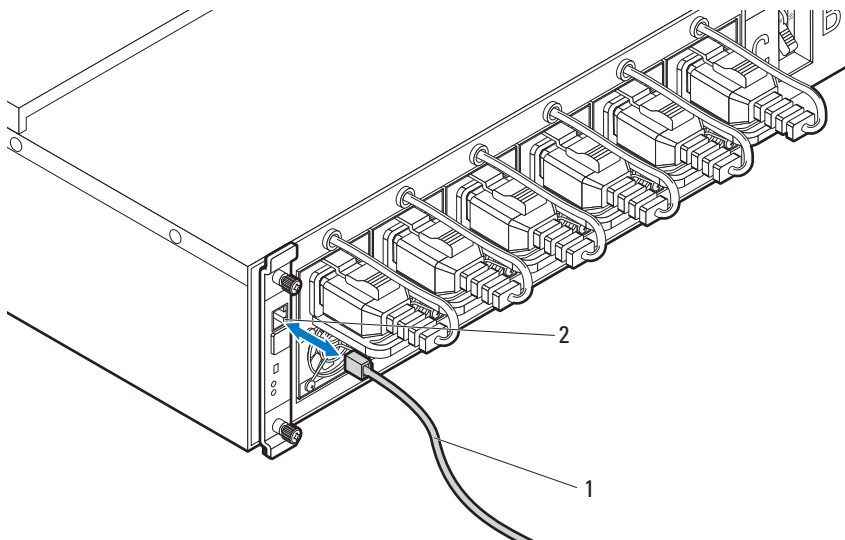


b PMC アセンブリ 1 を PDU に挿入し、2 個の蝶ネジ A で固定します。





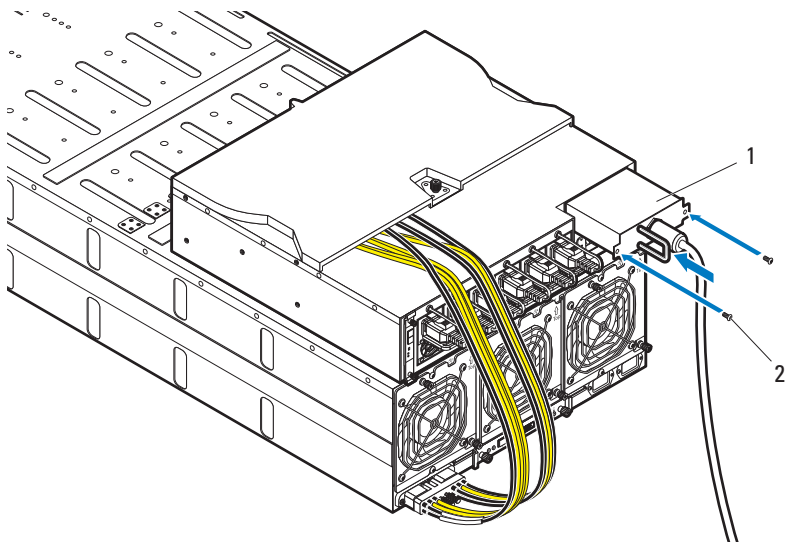
- c ネットワークケーブル<sup>1</sup>をNICポート1 Aに接続します。



# システムへの電源投入

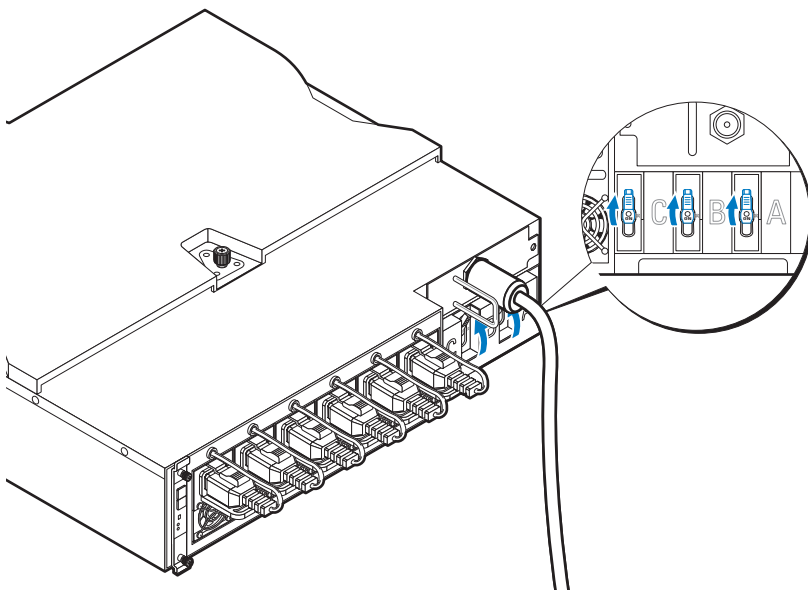
## PDU の電源投入

- 1 PCIB モジュールを PDU に取り付けます。
  - a PCIB モジュールを PCIB ベイ 1 に挿入します。
  - b 2 本のネジ A で PCIB モジュールを PDU に固定します。



- 2 PDU を電源に接続します。

- 3 PDU ブレーカースイッチは、ブレーカースイッチ A、B、および C を「ON」(オン) の位置にしてスイッチを入れます。



- 4 ネットワーク上での PDU デバイスの監視を有効化するには、PMC 基板上にある電源ボタンを押して PMC 基板の電源を入れます。PDU に電力が供給されると、PMC 基板前面の電源 / ステータスインジケータが緑色に点灯します。

 **メモ**：本ガイドの PMC 基板と PDU デバイスの図は参考用です。PMC 基板と PDU デバイスの詳細については、PDU デバイスマニュアルを参照してください。

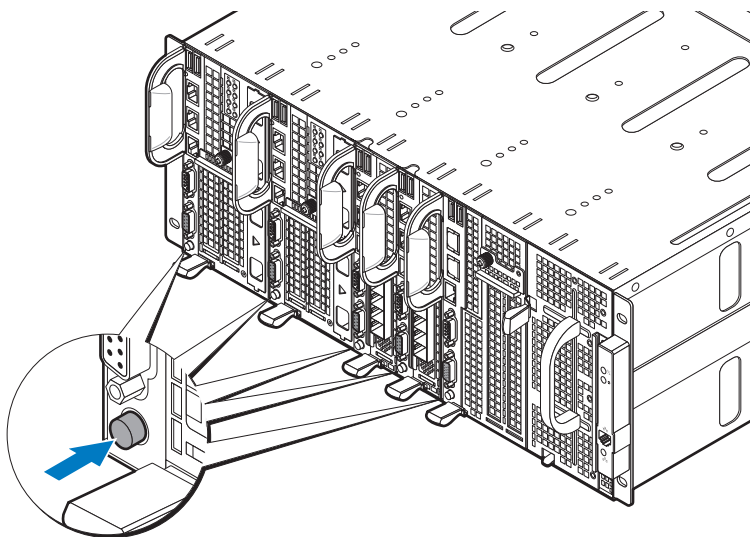
### サーバーエンクロージャの電源投入

電源に接続すると、主電源がサーバーエンクロージャに自動的に配電されます。サーバーエンクロージャの電源が入ると、エンクロージャ前面の電源 / イベントインジケータが緑色に点灯し、主電源がエンクロージャ内のすべてのスレッドに配電されます。

## スレッドの電源投入

C8220 または C8220X コンピュートスレッドの電源を入れるには、各スレッドの電源ボタンを押すか、またはベースボード管理コントローラを使用してスレッドの電源を入れます。スレッドに電源を入れると、スレッド前面の電源インジケータが緑色に点灯します。C8000XD ストレージスレッドは、サーバーエンクロージャに取り付けると自動的に電源が入ります。

**dell.com/support/manuals** で『Using the Baseboard Management Controller Guide』（ベースボード管理コントローラの使用ガイド）を参照してください。



# オペレーティングシステムセットアップの完了

オペレーティングシステムを初めてインストールする場合は、お使いのオペレーティングシステムのインストールと設定に関するマニュアルを参照してください。システムとは別途に購入したハードウェアやソフトウェアのインストールは、オペレーティングシステムがインストール済みであることを確認してから行ってください。

## 対応オペレーティングシステム

- Citrix XenServer Enterprise Edition 5.6
- Citrix XenServer Enterprise Edition 6.1
- Microsoft Windows Server 2008 Enterprise Edition Release 2 (64 ビット)
- Microsoft Windows Server 2012
- Microsoft Windows HPC 2008 Release 2
- Microsoft HyperV
- Red Hat Enterprise Linux 6.1 (64 ビット)
- Red Hat Enterprise Linux 6.3 (64 ビット)
- SUSE Linux Enterprise Server 11 SP2 (64 ビット)
- Ubuntu 12.04.1 LTS 64 ビット
- VMware ESXi 5.0
- VMware ESXi 5.0 U1
- VMware ESXi 5.0 U2
- VMware ESX 5.1
- VMware ESXi 5.1 U1



**メモ**：対応オペレーティングシステムの最新情報については、[dell.com/ossupport](http://dell.com/ossupport) を参照してください。

# その他の情報



**警告：**システムに付属のマニュアルで安全および認可機能に関する情報を参照してください。保証情報は、このマニュアルに含まれている場合と、別の文書として付属する場合があります。

- サーバーエンクロージャの機能、トラブルシューティング、コンポーネントの交換については、『PowerEdge C8000 Hardware Owner's Manual』（PowerEdge C8000 ハードウェアオーナーズマニュアル）を参照してください。この文書は **dell.com/support/manuals** から入手できます。
- システムの機能、トラブルシューティング、コンポーネントの交換についての情報が記載されている『PowerEdge C8220 Hardware Owner's Manual』（PowerEdge C8220 ハードウェアオーナーズマニュアル）。この文書は **dell.com/support/manuals** から入手できます。
- システムの機能、トラブルシューティング、コンポーネントの交換についての情報が記載されている『PowerEdge C8220X Hardware Owner's Manual』（PowerEdge C8220X ハードウェアオーナーズマニュアル）。この文書は **dell.com/support/manuals** から入手できます。
- システムの機能、トラブルシューティング、コンポーネントの交換についての情報が記載されている『PowerEdge C8000XD Hardware Owner's Manual』（PowerEdge C8000XD ハードウェアオーナーズマニュアル）。この文書は **dell.com/support/manuals** から入手できます。
- 『Baseboard Management Controller Guide』（ベースボード管理コントローラのガイド）はシステム管理ユーティリティのインストールと使い方について説明しています。この文書は **dell.com/support/manuals** から入手できます。



**メモ：**アップデート情報には他の文書の内容を差し替える情報が含まれている場合がよくありますので、アップデート情報がないかどうかを常に確認し、最初にお読みください。

# NOM 情報

## PowerEdge C8000

以下は、メキシコの公式規格（NOM）に従い、本書で説明されている装置に関する情報を提示したものです。

輸入者：	Dell Inc. de México, S.A.de C.V. Paseo de la Reforma 2620-11° Piso Col.Lomas Altas 11950 Mexico, D.F.
モデル番号：	B10S
供給電圧：	200 ~ 240 V CA (1400 W AC 電源装置 4 台使用時) または 12 V DC (外付け PDU 使用時)
周波数：	50 ~ 60 Hz
消費電流：	9 A (x4) (1400 W AC 電源装置 4 台使用時) または 480 A (外付け PDU 使用)

## PowerEdge C8220

以下は、メキシコの公式規格（NOM）に従い、本書で説明されている装置に関する情報を提示したものです。

輸入者：	Dell Inc. de México, S.A.de C.V. Paseo de la Reforma 2620-11° Piso Col.Lomas Altas 11950 Mexico, D.F.
モデル番号：	B05B
供給電圧：	12 V DC
消費電流：	42 A

## PowerEdge C8220X

以下は、メキシコの公式規格（NOM）に従い、本書で説明されている装置に関する情報を提示したものです。

輸入者：	Dell Inc. de México, S.A.de C.V. Paseo de la Reforma 2620-11° Piso Col.Lomas Altas 11950 Mexico, D.F.
モデル番号：	B06B
供給電圧：	12 V DC
消費電流：	92 A

## PowerEdge C8000XD

以下は、メキシコの公式規格（NOM）に従い、本書で説明されている装置に関する情報を提示したものです。

輸入者：	Dell Inc. de México, S.A.de C.V. Paseo de la Reforma 2620-11° Piso Col.Lomas Altas 11950 Mexico, D.F.
モデル番号：	B06B
供給電圧：	12 V DC
消費電流：	30 A



# 仕様

---

## コンピュータスレッドの仕様 (1スレッド当たり)

---

### プロセッサ

---

プロセッサのタイプ	Intel Xeon E5 シリーズプロセッサ、2 個
プロセッサソケット	LGA 2011、2 個

---

### システムチップセット

---

プラットフォームコントローラハブ	Intel X79
ネットワークコントローラ	Intel i350-BT2
ビデオコントローラ	Aspeed AST2300

---

### メモリ

---

メモリのタイプ	DDR3 UDIMM、RDIMM、LRDIMM
メモリモジュールソケット	DIMM ソケット 16 個
メモリモジュールの容量	2 GB、4 GB、8 GB、16 GB、および 32 GB の RDIMM
最小 RAM	512 MB UDIMM、1 GB RDIMM
最大 RAM	128 GB UDIMM、256 GB RDIMM
メモリチャンネル数 (1 CPU 当たり)	4 チャンネル

---

### ストレージデバイス

---

PowerEdge C8220 シングルワイド コンピュータスレッド	<ul style="list-style-type: none"><li>• 3 Gb/s SATA ポート x 4</li><li>• 6 Gb/s SATA ポート x 2</li><li>• 2.5 インチ SATA HDD x2</li></ul>
PowerEdge C8220X ダブルワイド コンピュータスレッド	<ul style="list-style-type: none"><li>• 3 Gb/s SATA ポート x 4</li><li>• 6 Gb/s SATA ポート x 2</li><li>• 2.5 インチ SATA HDD x2</li><li>• 2.5 インチ SAS/SATA HDD x 8 または 3.5 インチ SAS/SATA HDD x4</li><li>• 2.5 インチホットプラグ対応 SAS/SATA HDD x 2 (フロントアクセス 2.5 インチホット プラグ対応ハードドライブ搭載 PowerEdge C8220X)</li></ul>

---

## コンピュータスレッドの仕様 (1スレッド当たり) (続き)

---

### グラフィックスカード

---

PowerEdge C8220X ダブルワイド コンピュータスレッド	GPGPU 搭載 PowerEdge C8220X <ul style="list-style-type: none"><li>• NVIDIA Tesla M2090</li><li>• NVIDIA Tesla K20</li><li>• Intel Xeon Phi 5110P</li></ul>
---------------------------------------	--

---

### 拡張スロット

---

PowerEdge C8220 シングルワイド コンピュータスレッド	<ul style="list-style-type: none"><li>• x16 PCI Express 2.0 スロット、1 個</li><li>• x8 メザニンスロット、1 個</li></ul>
PowerEdge C8220X ダブルワイド コンピュータスレッド	<ul style="list-style-type: none"><li>• x8 PCI Express 3.0 スロット (x16 コネクタ タイプ)、2 個</li><li>• x8 メザニンスロット、1 個</li></ul>
GPGPU/MIC ダブルワイドコンピュー トスレッド搭載 PowerEdge C8220X	<ul style="list-style-type: none"><li>• 単一のライザーを使用する x16 PCI Express 3.0 スロット、1 個</li><li>• ケーブルを使用する x16 PCI Express 3.0 ス ロット、1 個</li><li>• x8 メザニンスロット、1 個</li></ul>

---

### インタフェース

---

BMC 管理ポート	前面 1 個
NIC	1Gb NIC ポート、2 個
シリアル	前面 1 個
VGA	前面 1 個
USB	前面 2 個
UID LED	前面 1 個

---

### 電源

---

#### バッテリー

システムバッテリー	CR 2032 3.0-V リチウムイオンコイン型バッ テリ
RAID バッテリー (オプション)	3.7 V リチウムイオンバッテリーパック

---

**ストレージスレッドの仕様 (1 スレッド当たり)**

---

**HDD スレッド構成**

---

デュアルポートモード (冗長)	標準キャリア
シングルポートモード (非冗長)	<ul style="list-style-type: none"><li>標準キャリア</li><li>フレキシブルキャリア</li><li>拡張キャリア</li></ul>
拡張モード (ゾーニングなし / 2 ゾーン / 4 ゾーン)	拡張キャリア

---

**ストレージデバイス**

---

標準キャリア	3.5 インチ SAS/SATA/SSD HDD x 12
フレキシブルキャリア	2.5 インチ SAS/SATA/SSD HDD x 12
拡張キャリア	2.5 インチ SSD HDD x 24

---

**インタフェース**

---

Mini-SAS	前面 4 個
----------	--------

---

---

**電源スレッドの仕様 (1 スレッド当たり)**

---

**インタフェース**

---

電源 LED	前面 2 個
電源コネクタ	2 DC コネクタ (12 V & GND)

---

**電源装置モジュール (電源装置 1 台当たり)**

---

ワット数	1400 W
コネクタ	IEC C20
電圧	200 ~ 240 V AC、50 ~ 60 Hz、最大 9 A
熱消費	1205 BTU / 時 最大
最大突入電流	通常のラインコンディションのもと、システムの動作環境全範囲で、電源装置 1 台につき 10 ミリ秒以下で 25 A の入電量を許容できます。

---

## サーバーエンクロージャの仕様

---

### サイズと重量

---

縦幅	17.5 cm (6.9 インチ)
横幅	44.7 cm (17.6 インチ)
奥行き	81.3 cm (32.0 インチ)
重量 (空の状態)	17.93 kg (39.53 ポンド)

---

### スレッドサポート

---

内蔵電源装備のサーバーエンクロージャ	<ul style="list-style-type: none"><li>• C8220 シングルワイドコンピュータスレッド、最大 8 台</li><li>• C8220X ダブルワイドコンピュータスレッド、最大 4 台</li><li>• C8000XD ストレージスレッド、最大 4 台</li><li>• 電源スレッド、最大 2 台</li></ul>
外付け PDU 装備のサーバーエンクロージャ	<ul style="list-style-type: none"><li>• C8220 シングルワイドコンピュータスレッド、最大 10 台</li><li>• C8220X ダブルワイドコンピュータスレッド、最大 5 台</li><li>• C8000XD ストレージスレッド、最大 5 台</li></ul>

---

### インタフェース

---

NIC	10/100Mbit NIC ポート、2 個 (前面 1 個、背面 1 個)
シリアル	背面 1 個
電源 / イベント LED	2 (前面 1 個、背面 1 個)
UID LED	2 (前面 1 個、背面 1 個)
イーサネットアクティビティ LED	前面 1 個
熱センサー	前面 1 個
システムファンモジュール障害 LED	背面 3 個

---

### システムファン

---

ファンのタイプ	ファンモジュール 3 台 (各モジュールにファン 2 台 / 計 6 台)
---------	---------------------------------------

---

## サーバーエンクロージャの仕様

---

### 電源

---

#### DC 電源装置

##### 電圧

外付け PDU 使用時                      12 V DC、50 ~ 60 Hz、680 A 最大 (6 台の PSU  
モジュール装着)

---

### 環境

---

**メモ:** 特定のシステム構成でのその他の環境条件の詳細については、  
[dell.com/environmental\\_datasheets](http://dell.com/environmental_datasheets) を参照してください。

#### 温度

動作時                                      1 時間当たり最大 10 °C の温度変化で 10 ~ 35 °C  
(50 ~ 95 °F)

保管時                                      1 時間当たり最大 20 °C の温度変化で -40 ~ 65 °C  
(40 ~ 149 °F)

#### 相対湿度

動作時                                      1 時間当たり最大 10 パーセントの湿度変化で  
20 ~ 80 パーセント (結露しないこと)

保管時                                      5 ~ 95 パーセント (結露しないこと)

#### 最大振動

動作時                                      5 ~ 350 Hz で 0.26 Grms

保管時                                      15 分間にわたり 10 ~ 500 Hz で 1.87 Grms

#### 最大衝撃

動作時                                      z 軸の正方向に 2.6 ミリ秒で 31 G の 1 衝撃パルス  
(システムの各面に対して 1 パルス)

保管時                                      x、y、z 軸の正および負方向に 71 G で 2 ミリ秒以  
下の 6 連続衝撃パルス (システムの各面に対して  
1 パルス)

x、y、z 軸の正および負方向に、235 インチ / 秒  
(597 cm / 秒) の速度変化で、27 G フェアードス  
クエアパルス波の 6 連続衝撃パルス (システムの  
各面に対して 1 パルス)

---

## 環境 ( 続き )

---

### 高度

動作時

-16 ~ 3,048 m (-50 ~ 10,000 フィート)

**メモ:** 高度が 2,950 フィートを超えると、動作時の許容最大温度は、550 フィートごとに 1 °F ずつ低下します。

保管時

-16 ~ 10,600 m (-50 ~ 35,000 フィート)

空気汚染物質レベル

クラス

G1 (ISA-571.04-1985 の定義による)

Dell PowerEdge  
C8000, C8220, C8220X,  
및 C8000XD

시스템  
시작하기

규정 모델 : B10S, B05B 및 B06B  
규정 유형 : B10S001, B05B001, B06B001  
및 B06B002



# 주, 주의 및 경고



**주 :** "주" 는 컴퓨터를 보다 효율적으로 사용하는 데 도움을 주는 중요 정보를 알려줍니다 .



**주의 :** "주의" 는 지침을 준수하지 않을 경우의 하드웨어 손상이나 데이터 손실 위험을 설명합니다 .



**경고 :** "경고" 는 재산상의 피해나 심각한 부상 또는 사망을 유발할 수 있는 위험이 있음을 알려줍니다 .

---

이 발행물에 수록된 정보는 사전 통보 없이 변경될 수 있습니다 .

© 2013 Dell Inc. 저작권 본사 소유 .

Dell Inc. 의 서면 승인 없이 어떠한 방식으로든 본 자료를 무단 복제하는 행위는 엄격히 금지됩니다 .

본 설명서에 사용된 상표 : Dell™, DELL 로고 , Dell Precision™, OptiPlex™, Latitude™, PowerEdge™, PowerVault™, PowerConnect™, OpenManage™, EqualLogic™, KACE™, FlexAddress™ 및 Vostro™ 는 Dell Inc. 의 상표입니다 . Intel® , Pentium® , Xeon® , Core™, Celeron® 및 Xeon Phi™ 는 미국 및 기타 국가에서 Intel Corporation 의 등록 상표입니다 . Microsoft® , Windows® , Windows Server® , MS-DOS® 및 Windows Vista® 는 미국 및 / 또는 기타 국가에서 Microsoft Corporation 의 상표 또는 등록 상표입니다 . Red Hat® 및 Red Hat® Enterprise Linux® 는 미국 및 / 또는 기타 국가에서 Red Hat, Inc. 의 등록 상표입니다 . Novell® 은 미국 및 기타 국가에서 Novell Inc. 의 등록 상표이고 SUSE™ 는 상표입니다 . Oracle® 은 Oracle Corporation 및 / 또는 계열사의 등록 상표입니다 . Citrix® , Xen® , XenServer® 및 XenMotion® 은 미국 및 / 또는 기타 국가에서 Citrix Systems, Inc. 의 등록 상표 또는 상표입니다 . VMware® , Virtual SMP® , vMotion® , vCenter® 및 vSphere® 는 미국 또는 기타 국가에서 VMWare, Inc. 의 등록 상표 또는 상표입니다 . NVIDIA 및 Tesla™ 는 NVIDIA Corporation 의 상표 및 / 또는 등록 상표이며 , Ubuntu 는 Canonical Ltd. 의 등록 상표입니다 .

본 발행물에서 특정 회사의 상표 및 회사 이름 또는 제품을 지칭하기 위해 기타 상표 및 상호를 사용할 수도 있습니다 . Dell Inc. 는 자사가 소유하고 있는 것 이외에 기타 모든 상표 및 상호에 대한 어떠한 소유권도 없습니다 .

규정 모델 : B10S, B05B 및 B06B

규정 유형 : B10S001, B05B001, B06B001 및 B06B002

2013 - 07 P/N R8CHO Rev. A04



## △ 주의 : 제한 접근 지역

이 서버는 다음과 같은 두 가지 조건이 적용되는 제한 접근 지역에서만 설치하도록 되어 있습니다.

- 해당 지역에 적용되는 제한 사유 및 취해야 할 모든 예방 조치에 관해 지도를 받은 서비스 기술자 또는 사용자만 액세스할 수 있습니다.
- 접근은 도구, 자물쇠와 키 또는 다른 보안 수단을 사용하여 이루어지며, 지역 담당 책임자에 의해 제어됩니다.

# 설치 및 구성

⚠ 경고 : 다음 절차를 수행하기 전에 시스템과 함께 제공되는 안전 지침을 검토하십시오.

PowerEdge C8000 서버 인클로저는 유연하고 확장 가능한 4U 랙 장착 새시입니다. PowerEdge C8000은 전체 슬레드 또는 혼합된 슬레드 인클로저를 지원하는 수직 맞춤형 슬레드 베이 10 개를 제공합니다. 전체 슬레드 인클로저는 C8220X 이중 폭 컴퓨트 슬레드를 5 개까지, C8220 단일 폭 컴퓨트 슬레드를 10 개까지, C8000XD 스토리지 슬레드를 5 개까지 포함할 수 있습니다. 혼합 슬레드 인클로저는 서로 다른 슬레드 유형의 혼합을 지원할 수 있습니다.

## 권장 도구

설치 작업을 시작하기 전에 다음과 같은 도구가 있는지 확인합니다.

- #1 십자 드라이버
- #2 십자 드라이버
- 접지된 손목 스트랩
- 정전기 방지 매트 또는 정전기 방지 발포 고무판

## 시스템 포장 풀기








⚠ 경고 : 시스템을 옮겨야 하는 경우에는 반드시 다른 사람의 도움을 받으십시오. 부상당할 우려가 있으므로 시스템을 혼자 들지 마십시오.

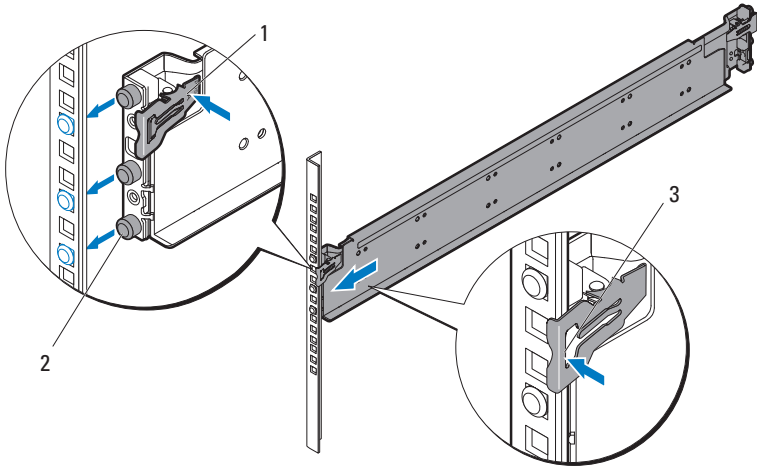
△ 주의 : 시스템 구성요소를 다룰 때는 접지용 손목 스트랩을 착용하십시오.

- 1 PowerEdge C8000 서버 인클로저를 올려 놓을 정전기 방지 매트 또는 정전기 방지 발포 고무판을 준비합니다.

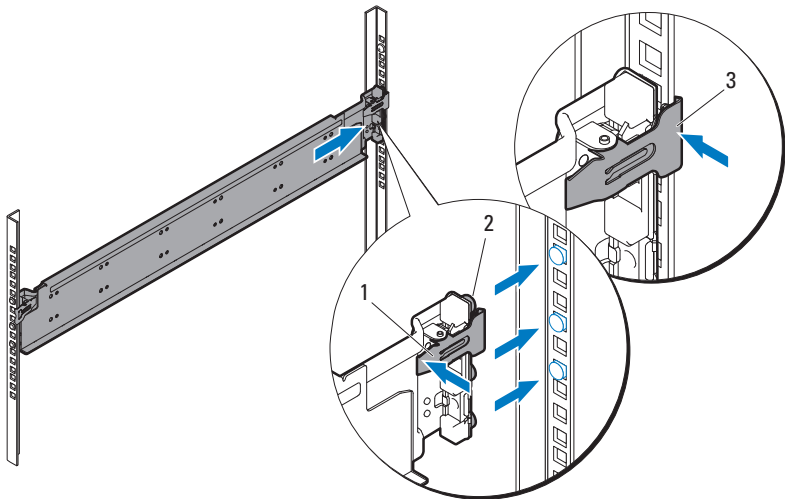
- 인클로저의 포장을 풀고 정전기 방지 매트 또는 정전기 방지 발포 고무판에 올려 놓습니다.
- 포장 상자는 나중에 사용할 수 있도록 보관해 둡니다.

## 도구를 사용하지 않은 레일 솔루션 설치

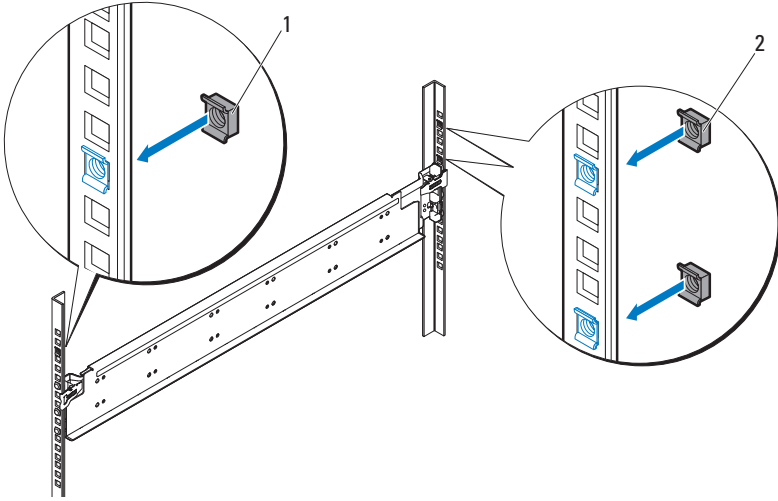
-  **경고** : 시스템을 옮겨야 하는 경우에는 반드시 다른 사람의 도움을 받으십시오. 부상당할 우려가 있으므로 시스템을 혼자 들지 마십시오.
-  **경고** : 시스템은 랙에 고정되거나 레일에 장착되어 있지 않습니다. 부상이나 시스템 손상을 방지하려면 설치 또는 제거 시 시스템을 적절한 방법으로 지지해야 합니다.
-  **경고** : 전기 충격의 위험을 방지하려면 랙 설치 시 세 번째 와이어 안전 접지 전도체가 필요합니다. 랙 장비는 알맞은 냉각을 유지하기 위해 시스템에 충분한 공기 흐름을 제공해야 합니다.
-  **주의** : 레일 고정 나사는 올바르게 설치하려면 랙 포트와 수평을 이루어야 합니다.
-  **주** : 랙 레일은 LEFT 와 RIGHT 로 표시됩니다. 랙의 전면을 향할 경우 "LEFT" 로 표시된 레일은 왼쪽 랙 포트에, "RIGHT" 로 표시된 레일은 오른쪽 랙 포트에 부착됩니다.
  - 랙에 레일을 놓을 위치를 정합니다. 랙에 4U 새시 공간이 충분한지 확인합니다. 표준 랙에는 4U 새시의 높이에 랙 포트 구멍 12 개가 놓입니다.
  - 레일 왼쪽과 오른쪽의 표시를 사용하여 랙 포트에 레일의 방향을 올바르게 맞춥니다.
  - 왼쪽 레일 및 중지 브래킷을 랙에 부착합니다.
    - "LEFT" 로 표시된 왼쪽 레일을 랙 포트의 장착 구멍에 맞추어 놓습니다.
    - 레일 분리 단추 ❶ 를 길게 눌러 왼쪽 레일 전면부에서 래치를 엽니다.
    - 3 개의 고정 나사 ❷ 를 전면 랙 포트의 장착 구멍에 맞춥니다.
    - 전면 랙 포트에 연결되면 단추 ❸ 를 해제합니다.
-  **주** : 레일 분리 단추가 올바르게 끼워져 있는지 확인합니다.
-  **주** : 레일은 사각형 구멍 및 원형 구멍 랙 모두에 사용할 수 있습니다.



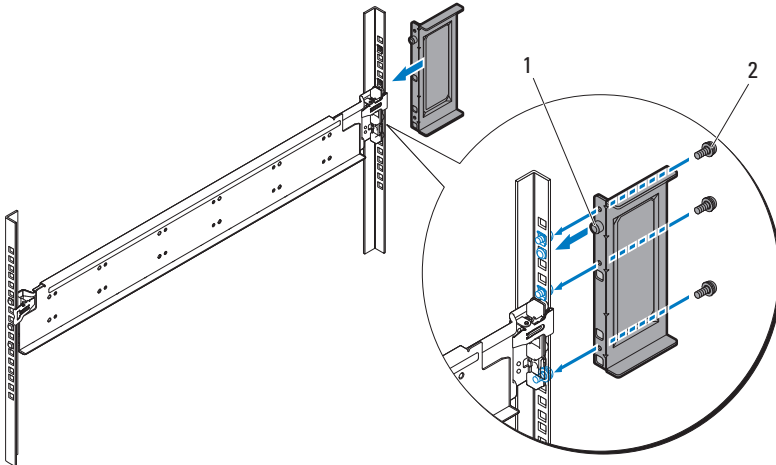
- e 레일 분리 단추 ①를 길게 눌러 레일 후면부에서 래치를 엽니다.
- f 3 개의 고정 나사 ②를 후면 랙 포스트의 장착 구멍에 맞춥니다.
- g 후면 랙 포스트에 연결되면 단추 ③를 해제합니다.



- h 케이지 너트 1 개 ❶ 를 전면 랙 포스트에 설치하고 케이지 너트 2 개 ❷ 를 후면 랙 포스트에 설치합니다.



- i 중지 브래킷 ❶ 을 후면 랙 포스트에 맞추고 3 개의 10-32 나사 ❷ 를 사용하여 고정합니다. 35 in-lbs 토크를 나사에 적용합니다.



- 4 오른쪽 레일 및 중지 브래킷을 랙에 부착합니다.

동일한 절차에 따라 오른쪽 랙 포스트에 오른쪽 레일과 중지 브래킷을 설치합니다.

**주:** 레일을 분리하려면 끝 부분 중간 지점에 있는 레일 분리 단추를 길게 눌러 각 레일을 분리합니다.

## 시스템 설치

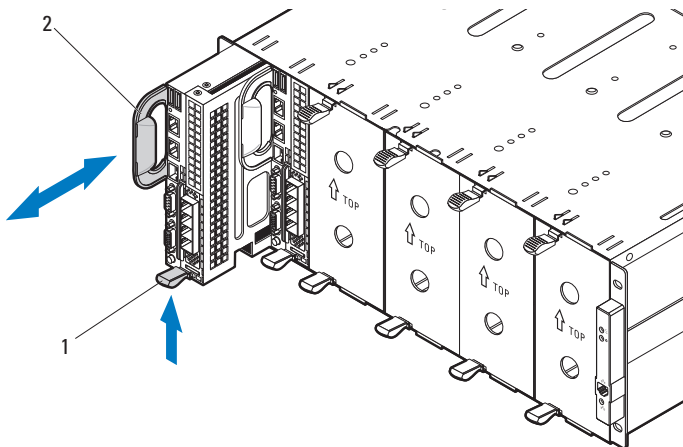
이 절에는 다음과 같은 항목이 포함됩니다.

- 시스템 비우기
- 랙에 시스템 설치
- 슬래드 베이 번호 매기기
- 시스템 채우기
- 랙에 외부 PDU 설치
- 랙 구성

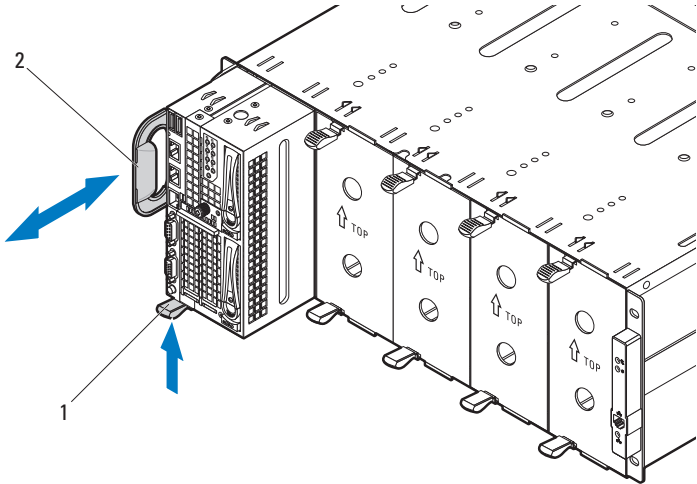
### 시스템 비우기

PowerEdge C8000 서버 인클로저를 랙에 설치하기 전에, 시스템 무게와 부상의 위험을 줄이기 위해 인클로저에서 모든 슬래드 모듈을 제거하십시오. 모든 슬래드 모듈을 정전기 방지 매트 또는 정전기 방지 발포 고무판에 올려 놓습니다.

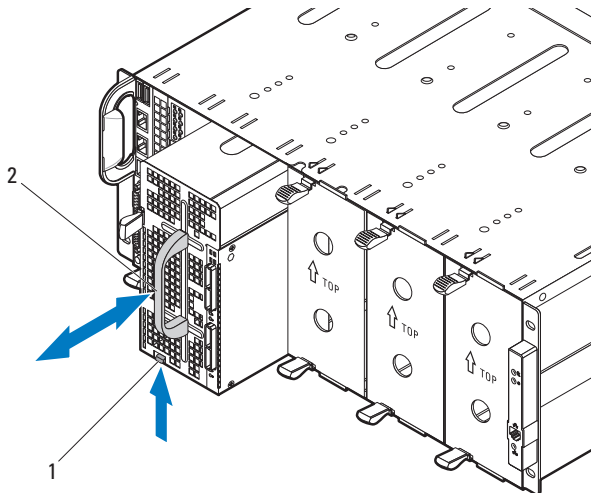
- C8220 단일 폭 컴퓨트 슬래드를 분리하려면, 분리 래치 ❶을 위로 당기고 핸들 ❷을 사용하여 슬래드를 인클로저 밖으로 밀어냅니다.



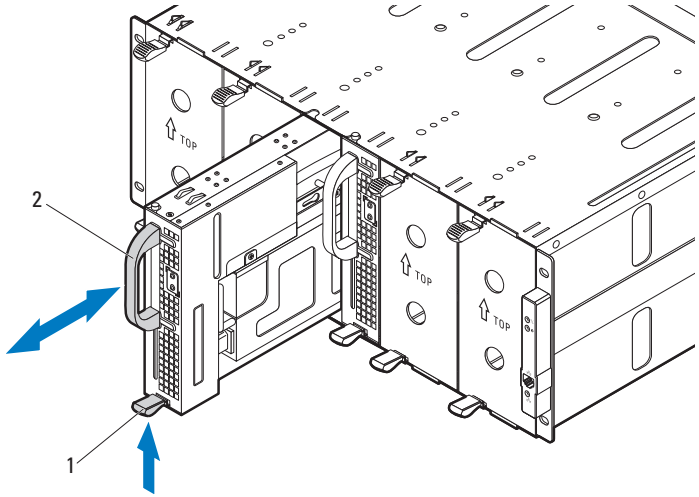
- C8220X 이중 폭 컴퓨트 슬레드를 분리하려면, 분리 래치 ❶을 위로 당기고 핸들 ❷을 사용하여 슬레드를 인클로저 밖으로 밀어냅니다.



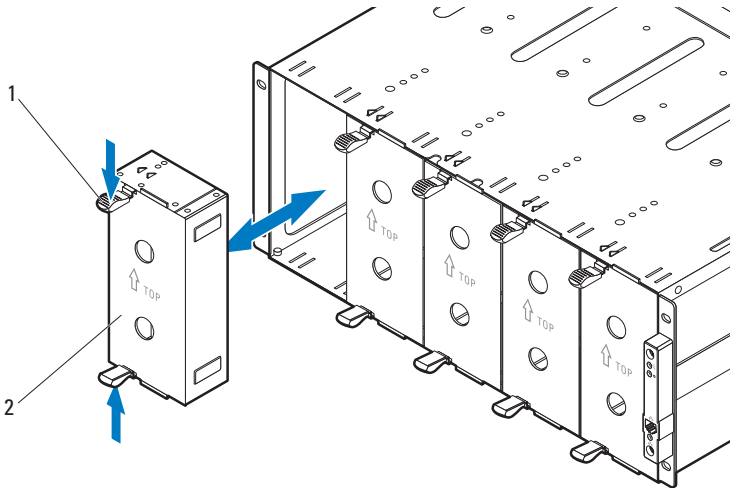
- C8000XD 스토리지 슬레드를 분리하려면, 분리 탭 ❶을 길게 당기고 핸들 ❷을 사용하여 슬레드를 인클로저 밖으로 밀어냅니다.



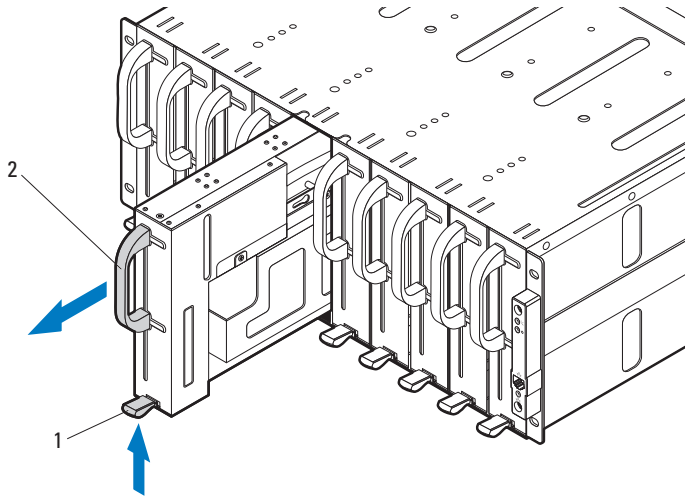
- 전원 슬레드를 분리하려면, 분리 래치 ❶을 위로 당기고 핸들 ❷을 사용하여 슬레드를 인클로저 밖으로 밀어냅니다.



- 이중 폭 슬레드 보호물을 분리하려면, 분리 래치 ❶을 비틀고 인클로저 ❷에서 슬레드 보호물을 잡아 당깁니다.



- 단일 폭 슬레드 보호물을 분리하려면, 분리 래치 ❶을 위로 당기고 핸들 ❷을 사용하여 보호물을 인클로저 밖으로 밀어냅니다.

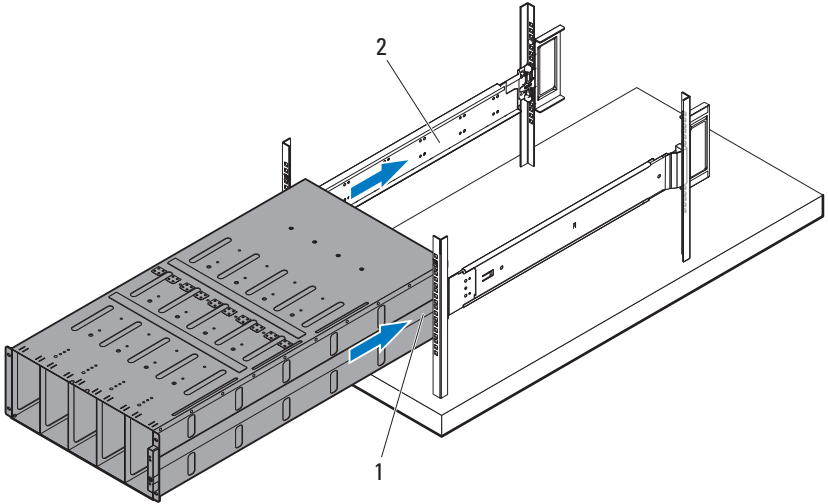




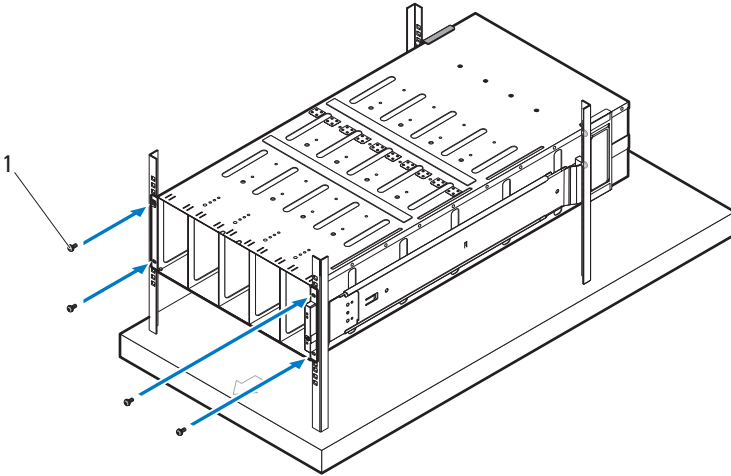
## 랙에 시스템 설치

**⚠ 경고 :** 시스템을 옮겨야 하는 경우에는 반드시 다른 사람의 도움을 받으십시오. 부상당할 우려가 있으므로 시스템을 혼자 들지 마십시오.

- 1 다른 사람의 도움을 받아 서버 인클러저 ① 를 레일 ② 에 맞추고 랙에 완전히 밀어 넣습니다.

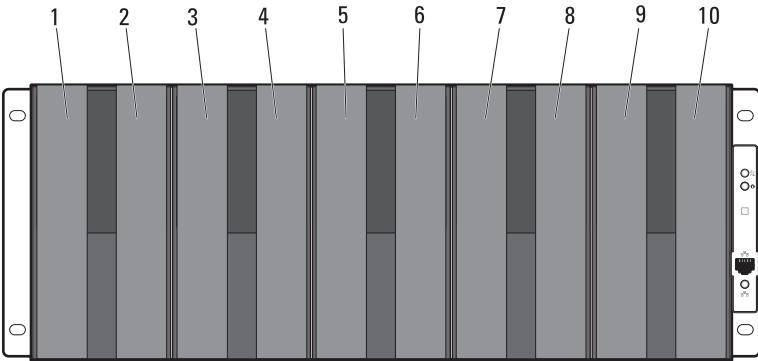


- 2 4 개의 10-32 나사 ❶ 를 사용하여 인클로저의 전면을 왼쪽 및 오른쪽 랙 포스트에 고정합니다.



## 슬레드 베이 번호 매기기

PowerEdge C8000 서버 인클로저는 10 개의 수직 베이로 나뉩니다. C8220 단일 폭 컴퓨터 슬레드는 서버 인클로저의 슬레드 베이 1 개를 차지하고, C8220X 이중 폭 컴퓨터 슬레드 또는 C8000XD 스토리지 슬레드는 서버 인클로저의 슬레드 베이 2 개를 차지합니다. 슬레드 모듈을 서버 인클로저에 설치하는 경우에는 먼저 슬레드 베이 1 에 슬레드 모듈을 설치한 후, 인클로저의 오른쪽에 있는 슬레드 베이를 채웁니다.



슬레드 모듈 유형	슬레드 베이									
	1	2	3	4	5 <sup>a</sup>	6 <sup>a</sup>	7	8	9	10
C8220 단일 폭 컴퓨터 슬레드	√	√	√	√	√	√	√	√	√	√
C8220X 이중 폭 컴퓨터 슬레드	√		√		√		√		√	
C8000XD 스토리지 슬레드 <sup>b</sup>	√		√		√		√		√	
전원 슬레드 <sup>c</sup>	—	—	—	—	√	√	—	—	—	—

a. 슬레드 베이 5 와 6 에는 2 개의 전원 슬레드 또는 2 개의 C8220 컴퓨터 슬레드 또는 두 슬레드 유형을 조합하여 설치할 수 있습니다.

b. 내부 전원이 있는 서버 인클로저의 경우 C8000XD 스토리지 슬레드는 슬레드 베이 3~10 에만 설치합니다.

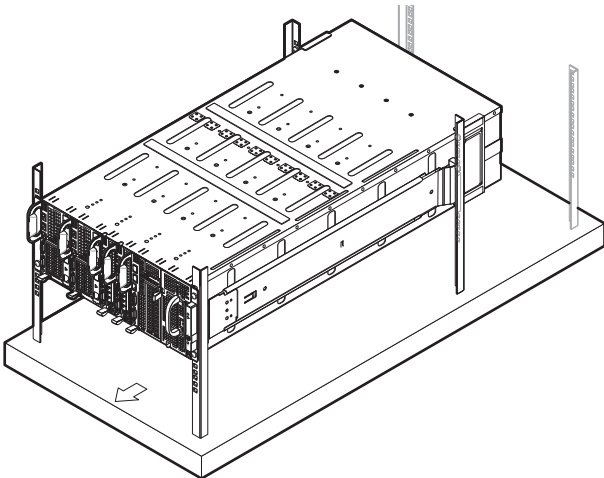
c. 전원 슬레드는 슬레드 베이 5 와 6 에만 설치합니다.

## 시스템 채우기

- △ 주의 : 적절한 작동 및 냉각을 보장하려면 인클로저의 모든 베이에 슬레드 또는 슬레드 보호물이 항상 장착되어 있어야 합니다.
- △ 주의 : 적절한 시스템 냉각을 유지하려면 모든 빈 하드 드라이브 슬롯에 하드 드라이브 보호물을 설치해야 합니다.

PowerEdge C8000 서버 인클로저에 모든 구성요소를 설치합니다 .

- C8220 단일 폭 콤팩트 슬레드를 설치하려면 슬레드가 완전히 장착되고 분리 래치가 제자리에 걸릴 때까지 새 슬레드를 인클로저에 밀어 넣습니다 .
- C8220X 이중 폭 콤팩트 슬레드를 설치하려면 슬레드가 완전히 장착되고 분리 래치가 제자리에 걸릴 때까지 새 슬레드를 인클로저에 밀어 넣습니다 .
- C8000XD 스토리지 슬레드를 설치하려면 슬레드가 완전히 장착되고 분리 탭이 제자리에 걸릴 때까지 새 슬레드를 인클로저에 밀어 넣습니다 .
- 전원 슬레드를 설치하려면 슬레드가 완전히 장착되고 분리 래치가 제자리에 걸릴 때까지 새 슬레드를 인클로저에 밀어 넣습니다 .
- 이중 폭 슬레드 보호물을 설치하려면 보호물이 완전히 장착되고 분리 래치가 제자리에 걸릴 때까지 보호물을 인클로저에 밀어 넣습니다 .
- 단일 폭 슬레드 보호물을 설치하려면 보호물이 완전히 장착되고 분리 래치가 제자리에 걸릴 때까지 보호물을 인클로저에 밀어 넣습니다 .



## 랙에 외부 PDU 설치

**⚠ 경고 :** 시스템을 옮겨야 하는 경우에는 반드시 다른 사람의 도움을 받으십시오 . 부상당할 우려가 있으므로 시스템을 혼자 들지 마십시오 .

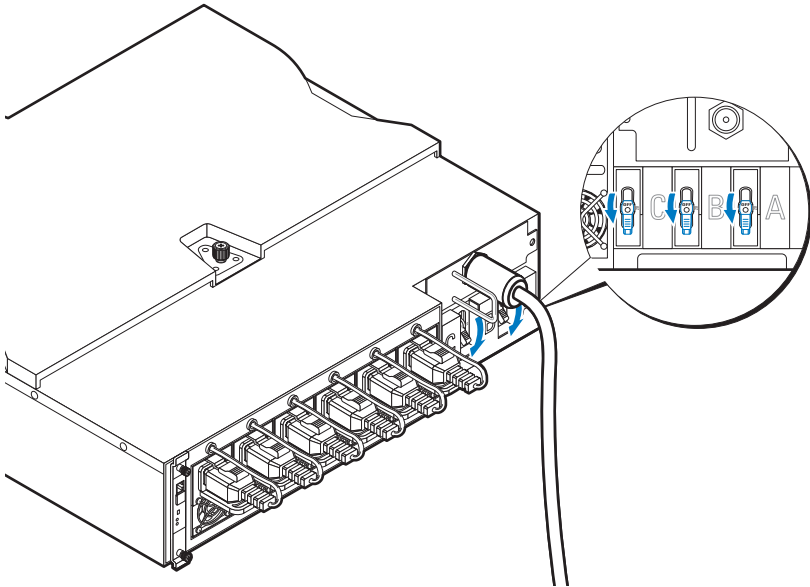
**📎 주 :** PDU 장치 그림은 참조용으로만 제공됩니다 . PDU 장치에 대한 자세한 내용은 PDU 장치 설명서를 참조하십시오 .

**📎 주 :** PDU 장착 브래킷은 L 및 R 로 표시됩니다 . "L" 로 표시된 레일은 PDU 장치의 왼쪽에 , "R" 로 표시된 레일은 PDU 장치의 오른쪽에 부착됩니다 .

**⚠ 경고 :** PDU 가 전원이 공급되는 동안 PDU 장치에 전원 케이블을 연결하거나 분리하지 마십시오 .

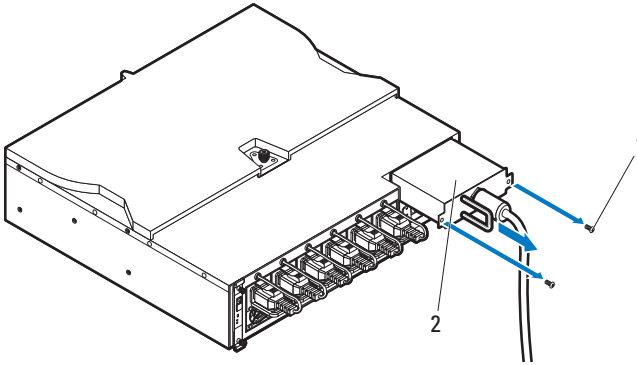
**⚠ 경고 :** 잠재적으로 심각하거나 치명적인 감전을 방지하려면 PDU 차단기 스위치를 끕니다 .

- 1 A, B 및 C 차단기 스위치를 "꺼짐" 위치로 이동하여 PDU 차단기 스위치를 끕니다 .

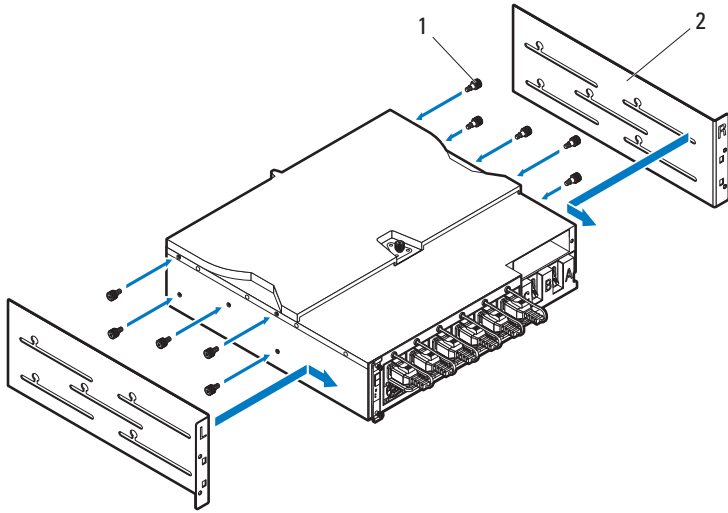


- 2 전원에서 PDU 의 연결을 끊습니다 .

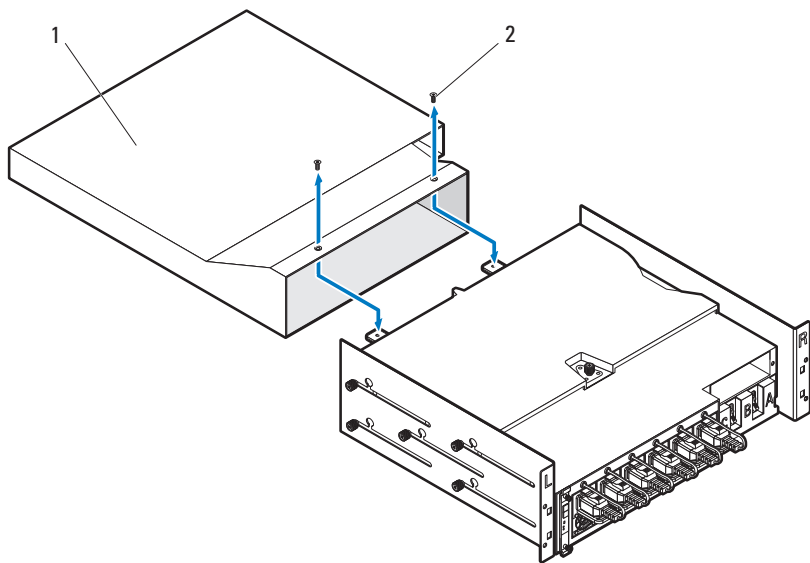
- 3 전원 케이블 인터페이스 상자 (PCIB) 모듈을 분리합니다.
  - a PCIB 모듈을 고정하는 2 개의 나사 ❶ 를 분리합니다.
  - b PCIB 핸들을 잡고 베이 ❷ 밖으로 당깁니다.



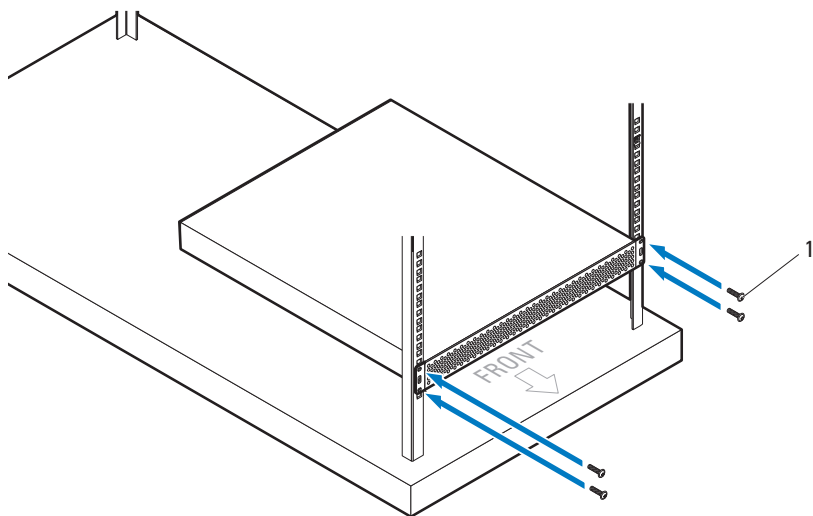
- 4 PDU의 왼쪽과 오른쪽에 장착 브래킷을 부착합니다.
  - a PDU의 왼쪽과 오른쪽에 10 개의 나사 ❶ 를 부착합니다.
  - b "L"로 표시된 왼쪽 장착 브래킷의 위치를 PDU의 나사 구멍에 맞춰 놓고 장착 브래킷을 제자리 ❷ 에 고정될 때까지 PDU의 후면을 향해 밀어 넣습니다.
  - c "R"로 표시된 오른쪽 장착 브래킷의 위치를 PDU의 나사 구멍에 맞춰 놓고 장착 브래킷을 제자리 ❷ 에 고정될 때까지 PDU의 후면을 향해 밀어 넣습니다.



- 5 PDU 에 스노클을 설치합니다 .
- a 스노클에서 공기 흐름판을 분리합니다 .
  - b 공기 흐름판 ❶ 을 PDU 의 전면 에 맞춥니다 .
  - c 2 개의 나사 ❷ 를 사용하여 공기 흐름판을 PDU 의 전면 에 고정합니다 .

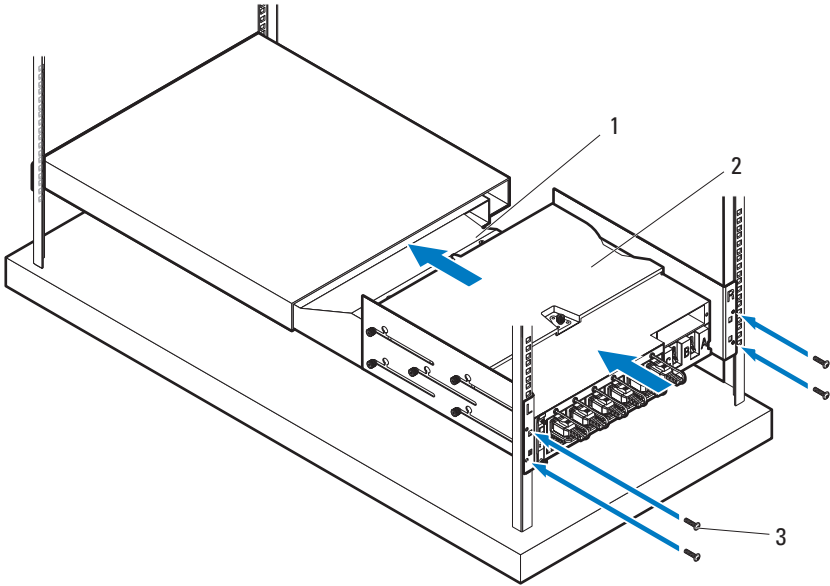


- d 스노클을 랙 포스트에 맞춥니다.
- e 4 개의 나사 ❶ 을 사용하여 스노클을 랙 포스트에 고정합니다.






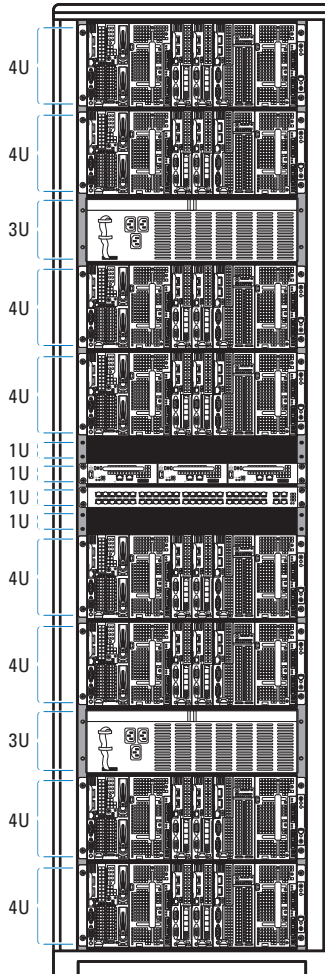
- 6 다른 사람의 도움을 받아 공기 흐름판 ❶을 스노클에 밀어 넣고 4개의 나사 ❷를 사용하여 PDU ❸의 후면을 랙 포스트에 고정합니다.



## 랙 구성

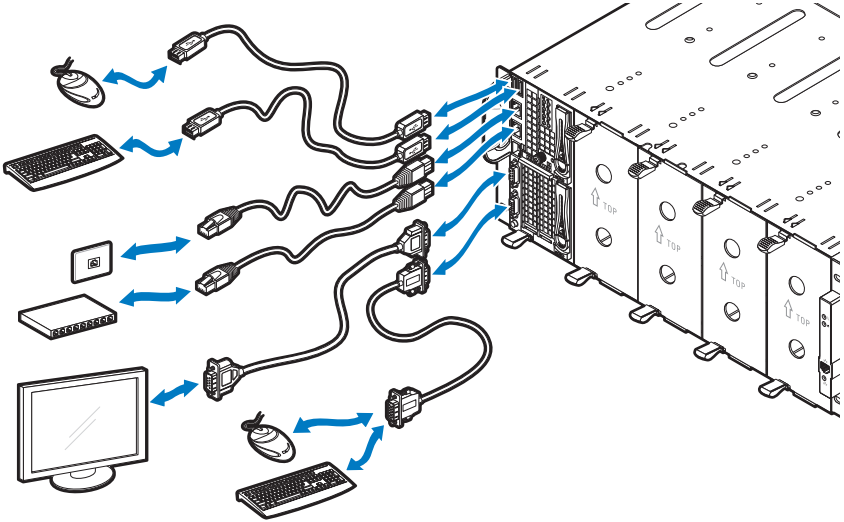
다음 그림은 PowerEdge C8000 서버 인클로저, 배전 장치 (PDU), 42U 랙의 스위치 및 라우터가 포함된 샘플 랙 구성을 보여 줍니다.

 주: 랙 구성 그림은 참조용으로만 제공됩니다.



## 키보드, 마우스 및 모니터 연결

컴퓨터 슬래드 (선택 사양) 에 키보드, 마우스 및 모니터를 연결합니다. 다음 그림은 C8220X 이중 폭 컴퓨터 슬래드에 대한 키보드, 마우스 및 모니터 연결의 예를 보여 줍니다.

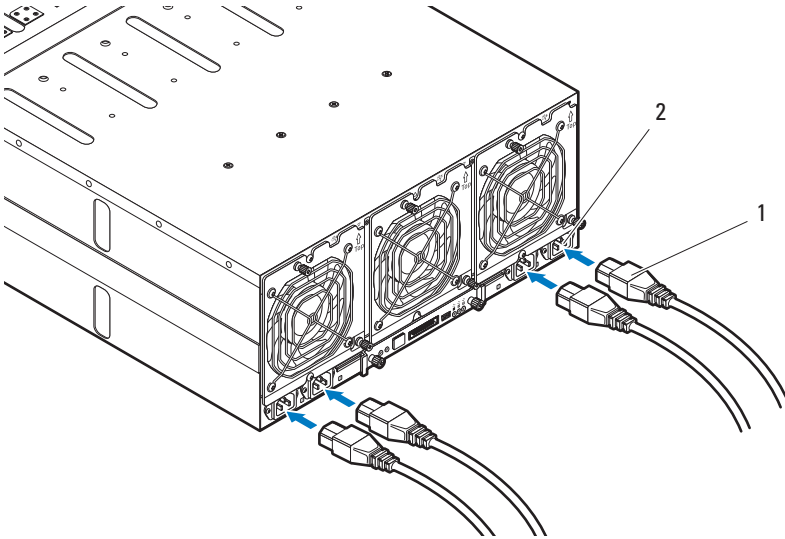


## 전원 케이블 연결

이 절에서는 내부 또는 외부 전원이 있는 서버 인클로저를 외부 PDU 에 연결하는 방법에 대한 지침을 설명합니다.

### 내부 전원이 있는 서버 인클로저

- 1 인클로저 후면에서, 전원 케이블 ❶ 을 AC 전원 소켓 ❷ 에 연결합니다.

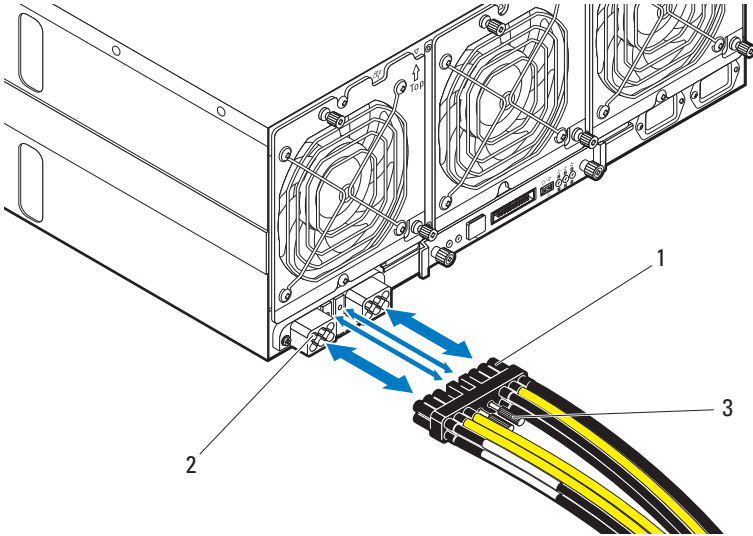


- 2 전원 케이블의 다른 쪽 끝을 접지된 전원 콘센트나 UPS(무정전 전원 공급기) 또는 PDU 같은 별도의 전원에 연결합니다.

## 외부 전원이 있는 서버 인클로저

**⚠ 경고 :** 연결하기 전에 모든 장치에서 전원이 꺼져 있는지 확인합니다.

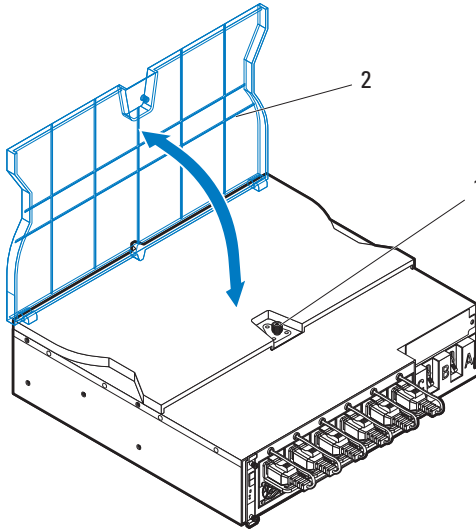
- 1 인클로저 후면에, 전원 케이블 ① 을 DC 전원 소켓 ② 에 연결합니다.
- 2 케이블에 있는 2 개의 중앙 나사 ③ 를 단단히 조여 연결합니다.



## 랙 PDU 에 서버 인클로저 연결

**⚠ 경고 :** PDU 가 전원이 공급되는 동안 PDU 장치에 전원 케이블을 연결하거나 분리하지 마십시오 . 잠재적으로 심각하거나 치명적인 감전을 방지하려면 PDU 차단기 스위치를 끕니다 . PDU A, B 및 C 차단기 스위치를 "꺼짐" 위치로 이동합니다 .

- 1 케이블 덮개 ❶ 을 잠금 해제합니다 .
- 2 덮개 ❷ 를 PDU 에서 멀리 떨어지게 회전합니다 .

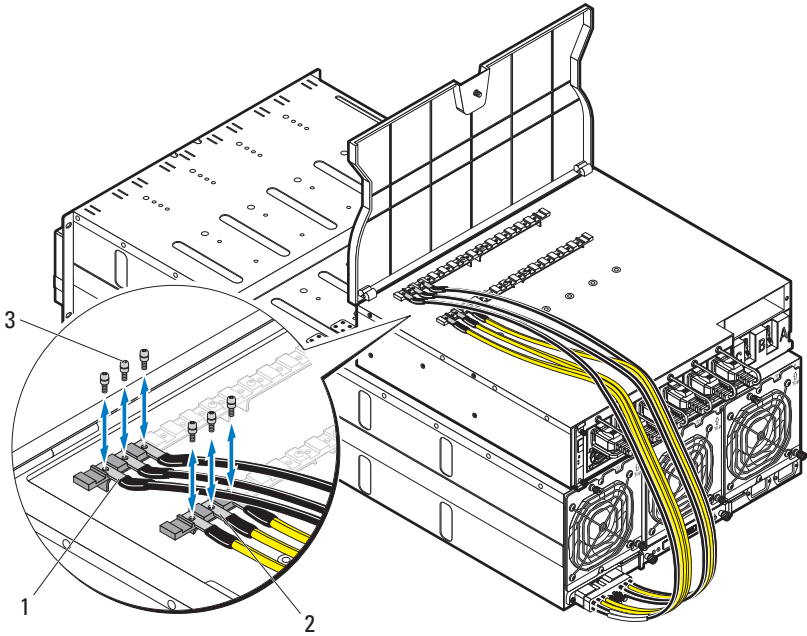


- 3 서버 인클로저 전원 케이블을 PDU 전원 버스 바에 부착합니다 .

**📌 주 :** PDU 장치는 시스템 구성과 전원 수요 예측에 따라 최대 5 개의 PowerEdge C8000 서버 인클로저를 지원합니다 .

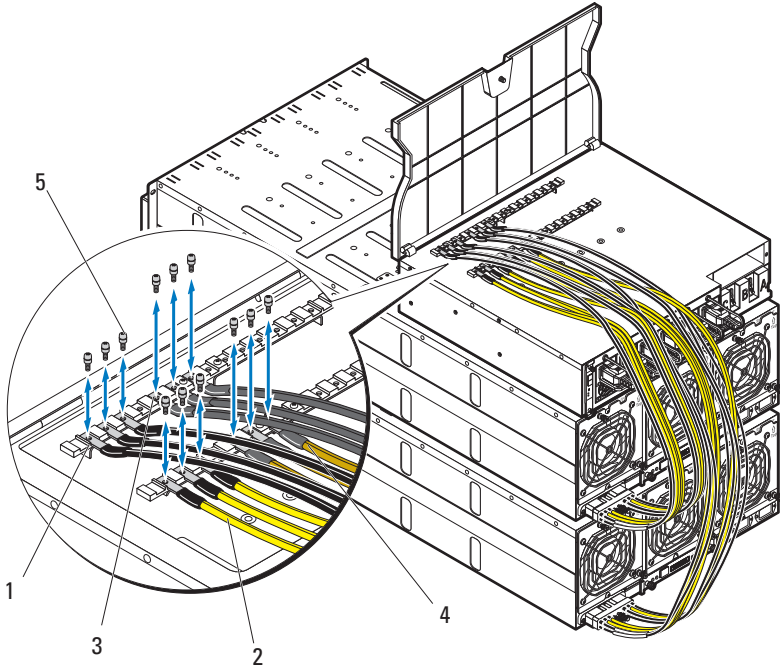
단일 서버 인클로저를 PDU 에 연결 :

- a 3 개의 나사 ❸ 를 사용하여 3 개의 검정색 전원 케이블 리그 ❶ 를 상단 전원 버스 바 (GND) 에 고정합니다 .
- b 3 개의 나사 ❷ 를 사용하여 3 개의 노란색 전원 케이블 리그 ❹ 를 하단 전원 버스 바에 고정합니다 .



다중 서버 인클로저를 PDU 에 연결 :

- a 첫 번째 서버 인클로저의 나사 ⑤ 3 개를 사용하여 3 개의 검정색 전원 케이블 러그 ① 를 상단 전원 버스 바 (GND) 에 고정합니다.
- b 첫 번째 서버 인클로저의 나사 ⑤ 3 개를 사용하여 3 개의 노란색 전원 케이블 러그 ② 를 하단 전원 버스 바에 고정합니다.
- c 두 번째 서버 인클로저의 나사 ⑤ 3 개를 사용하여 3 개의 검정색 전원 케이블 러그 ③ 를 상단 전원 버스 바 (GND) 에 고정합니다.
- d 두 번째 서버 인클로저의 나사 ⑤ 3 개를 사용하여 3 개의 노란색 전원 케이블 러그 ④ 를 하단 전원 버스 바에 고정합니다.



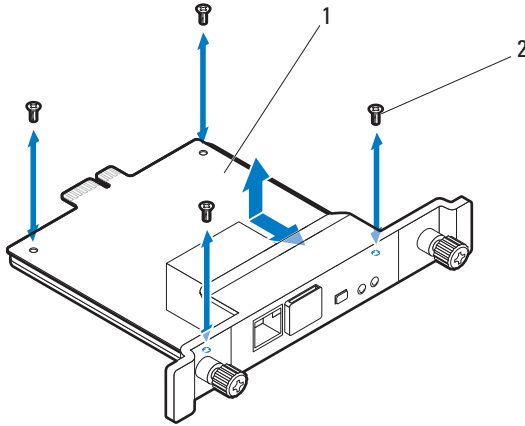
**주 :** 모든 전원 코드가 올바르게 연결되어 있고 PDU 전원 버스 바에 고정되어 있는지 확인합니다.

4 케이블 덮개를 닫고 PDU 에 고정합니다.

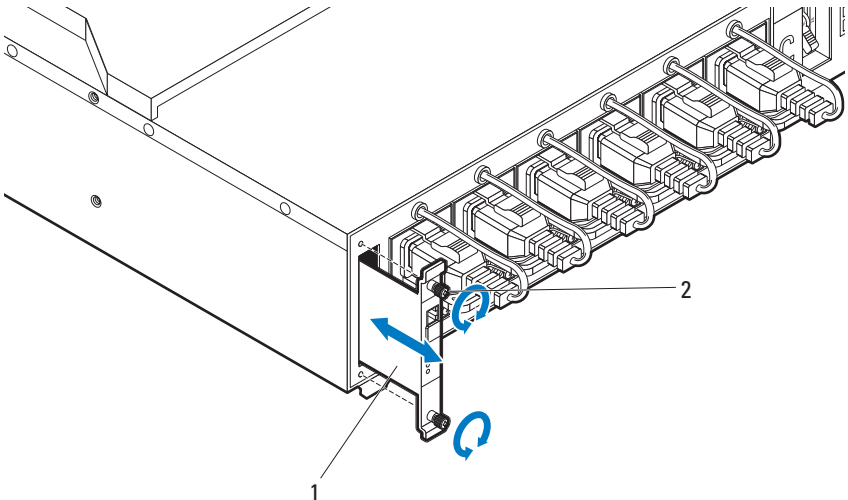


## 네트워크에 PDU 연결

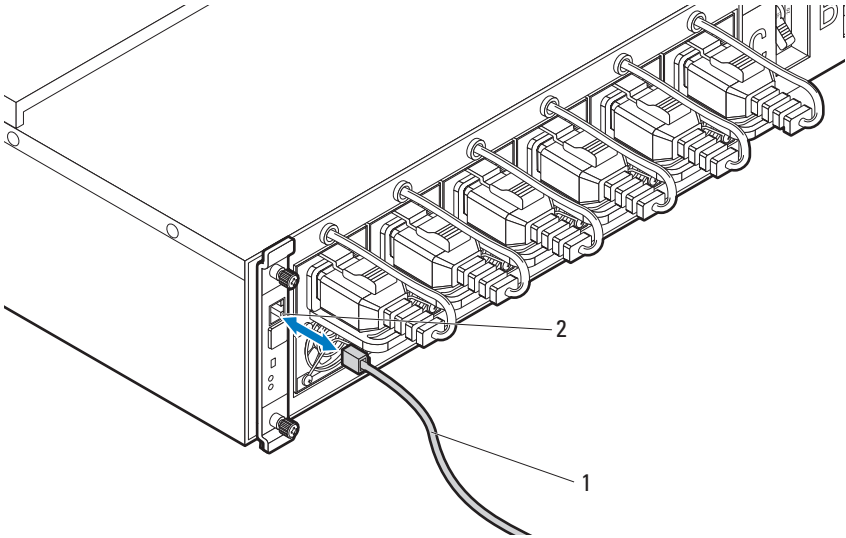
- 1 전원 관리 컨트롤러 (PMC)를 PDU에 설치하고 네트워크에 연결합니다.
  - a 4 개의 나사 ② 를 사용하여 PMC 보드 ① 를 PMC 트레이에 고정합니다.



- b PMC 조립품 ① 을 PDU 에 넣고 2 개의 나비 나사 ② 를 사용하여 고정합니다.



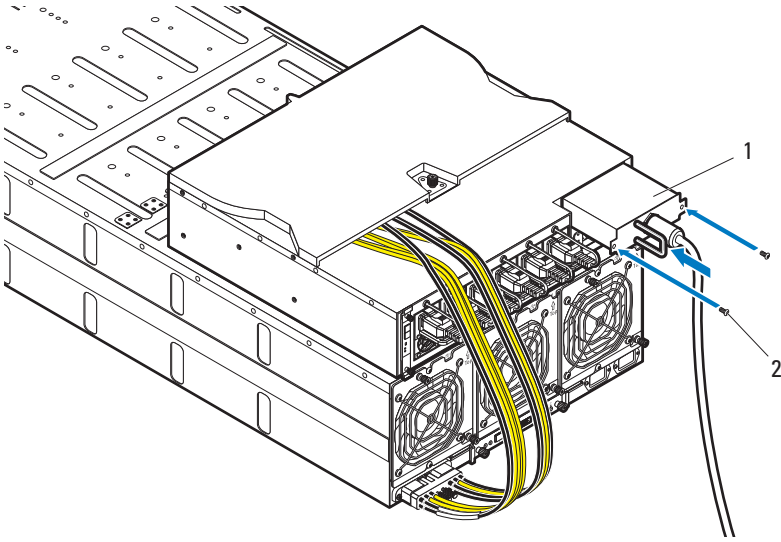
c 네트워크 케이블 ❶ 을 NIC 포트 ❷ 에 연결합니다.



# 시스템 전원 켜기

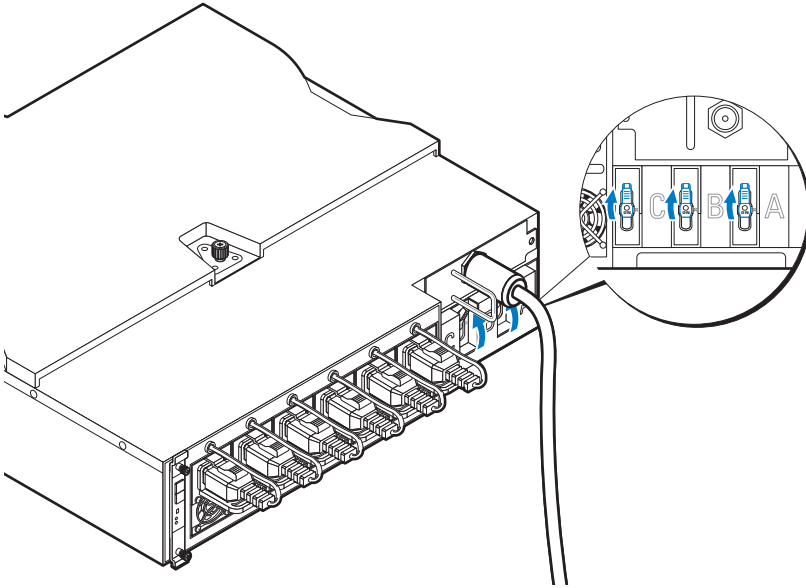
## PDU 켜기

- 1 PDU 에 PCIB 모듈을 설치합니다.
  - a PCIB 베이 ❶ 에 PCIB 모듈을 넣습니다.
  - b 2 개의 나사 ❷ 를 사용하여 PCIB 모듈을 PDU 에 고정합니다.



- 2 PDU 를 전원에 연결합니다.

- 3 A, B 및 C 차단기 스위치를 "켜짐" 위치로 이동하여 PDU 차단기 스위치를 켭니다.



- 4 네트워크에서 PDU 장치의 모니터링을 활성화하려면 PMC 보드에 있는 전원 단추를 눌러 PMC 보드를 켭니다. PDU에 전원이 적용되면 PMC보드 전면의 전원/상태 표시등이 녹색으로 켜집니다.

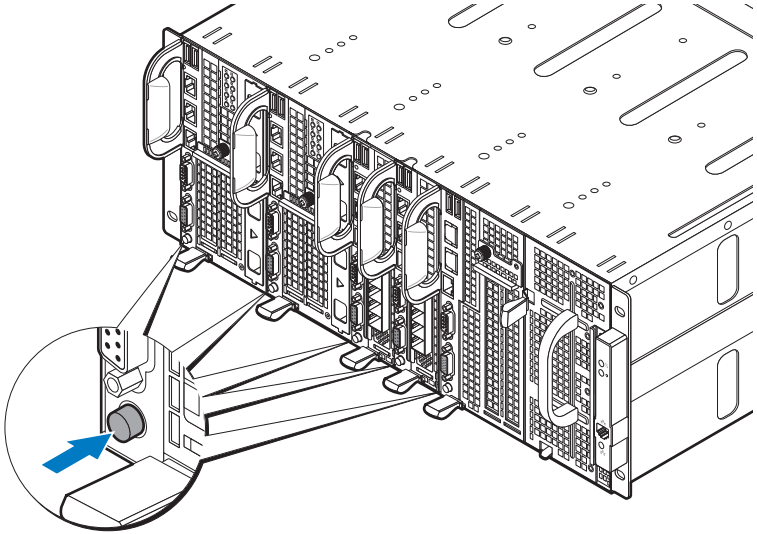
**주 :** 본 설명서의 PMC 보드 및 PDU 장치 그림은 참조용으로만 제공됩니다. PMC 보드 및 PDU 장치에 대한 자세한 내용은 PDU 장치 설명서를 참조하십시오.

## 서버 인클로저 켜기

전원에 연결되면 주 전원이 서버 인클로저에 자동으로 분배됩니다. 서버 인클로저 전원이 켜진 후, 인클로저의 전면에 있는 전원/이벤트 표시등이 녹색으로 켜지고 주 전원이 인클로저의 모든 슬래드에 넣어집니다.

## 슬레드 켜기

C8220 또는 C8220X 컴퓨트 슬레드를 켜려면 각 슬레드의 전원 단추를 누르거나 BMC(Baseboard Management Controller) 를 사용하여 슬레드 전원을 켜야 합니다. 슬레드에 전원이 연결되면 슬레드 전면의 전원 켜짐 표시등이 녹색으로 켜집니다. C8000XD 스토리지 슬레드는 서버 인클로저에 설치되면 자동으로 켜집니다. 베이스보드 관리 컨트롤러 사용 설명서 ([dell.com/support/manuals](http://dell.com/support/manuals)) 를 참조하십시오 .



# 운영 체제 설치 완료

운영 체제를 처음 설치하려면 운영 체제 설치 및 구성 설명서를 참조하십시오. 시스템과 함께 구입하지 않은 하드웨어 또는 소프트웨어를 설치하기 전에 운영 체제가 설치되어 있는지 확인하십시오.


## 지원되는 운영 체제

- Citrix XenServer Enterprise Edition 5.6
- Citrix XenServer Enterprise Edition 6.1
- Microsoft Windows Server 2008 Enterprise Edition Release 2(64 비트 )
- Microsoft Windows Server 2012
- Microsoft Windows HPC 2008 Release 2
- Microsoft HyperV
- Red Hat Enterprise Linux 6.1(64 비트 )
- Red Hat Enterprise Linux 6.3(64 비트 )
- SUSE Linux Enterprise Server 11 SP2(64 비트 )
- Ubuntu 12.04.1 LTS 64 비트
- VMware ESX/ESXi 5.0
- VMware ESXi 5.0 U1
- VMware ESXi 5.0 U2
- VMware ESX 5.1
- VMware ESXi 5.1 U1



**주 :** 지원되는 운영 체제에 대한 최신 정보는 [dell.com/ossupport](http://dell.com/ossupport) 를 참조하십시오.

# 기타 필요한 정보

 **경고** : 시스템과 함께 제공된 안전 및 규제 정보를 참조하십시오. 보증 정보는 이 문서에 포함되거나 별도의 문서로 제공될 수 있습니다.

- 시스템 기능, 문제 해결 및 구성요소 교체에 대한 자세한 내용은 PowerEdge C8000 하드웨어 소유자 매뉴얼을 참조하십시오. 이 문서는 [dell.com/support/manuals](http://dell.com/support/manuals) 에서 제공됩니다.
- 시스템 기능, 문제 해결 및 구성요소 교체에 대한 자세한 내용을 제공하는 PowerEdge C8220 하드웨어 소유자 매뉴얼. 이 문서는 [dell.com/support/manuals](http://dell.com/support/manuals) 에서 제공됩니다.
- 시스템 기능, 문제 해결 및 구성요소 교체에 대한 자세한 내용을 제공하는 PowerEdge C8220X 하드웨어 소유자 매뉴얼. 이 문서는 [dell.com/support/manuals](http://dell.com/support/manuals) 에서 제공됩니다.
- 시스템 기능, 문제 해결 및 구성요소 교체에 대한 자세한 내용을 제공하는 PowerEdge C8000XD 하드웨어 소유자 매뉴얼. 이 문서는 [dell.com/support/manuals](http://dell.com/support/manuals) 에서 제공됩니다.
- 베이스보드 관리 컨트롤러 안내서에서는 시스템 관리 유틸리티의 설치 및 사용에 대한 정보를 제공합니다. 이 문서는 [dell.com/support/manuals](http://dell.com/support/manuals) 에서 제공됩니다.



**주** : 새로운 갱신본이 없는지 항상 확인하십시오. 갱신본에는 최신 정보가 수록되어 있으므로 다른 설명서를 읽기 전에 반드시 먼저 참조하시기 바랍니다.

# NOM 정보

## PowerEdge C8000

다음 정보는 공식 멕시코 표준 (NOM: Official Mexican Standards) 을 준수하는 본 문서에 기술된 장치에 대한 내용입니다 .

수입업체 :	Dell Inc. de México, S.A. de C.V. Paseo de la Reforma 2620-11° Piso Col. Lomas Altas 11950 México, D.F.
모델 번호 :	B10S
공급 전압 :	200-240V CA(1400W AC 전원 공급 장치 4 개 ) 또는 12V DC( 외부 PDU)
주파수 :	50-60Hz
전류 소모량 :	9A(x4)(1400W AC 전원 공급 장치 4 개 ) 또는 480A( 외부 PDU)

## PowerEdge C8220

다음 정보는 공식 멕시코 표준 (NOM: Official Mexican Standards) 을 준수하는 본 문서에 기술된 장치에 대한 내용입니다 .

수입업체 :	Dell Inc. de México, S.A. de C.V. Paseo de la Reforma 2620-11° Piso Col. Lomas Altas 11950 México, D.F.
모델 번호 :	B05B
공급 전압 :	12V DC
전류 소모량 :	42A



## PowerEdge C8220X

다음 정보는 공식 멕시코 표준 (NOM: Official Mexican Standards) 을 준수하는 본 문서에 기술된 장치에 대한 내용입니다 .

수입업체 :	Dell Inc. de México, S.A. de C.V. Paseo de la Reforma 2620-11° Piso Col. Lomas Altas 11950 México, D.F.
모델 번호 :	B06B
공급 전압 :	12V DC
전류 소모량 :	92A

## PowerEdge C8000XD

다음 정보는 공식 멕시코 표준 (NOM: Official Mexican Standards) 을 준수하는 본 문서에 기술된 장치에 대한 내용입니다 .

수입업체 :	Dell Inc. de México, S.A. de C.V. Paseo de la Reforma 2620-11° Piso Col. Lomas Altas 11950 México, D.F.
모델 번호 :	B06B
공급 전압 :	12V DC
전류 소모량 :	30A

# 기술 사양

---

## 컴퓨터 슬레드 사양 (슬레드당)

---

### 프로세서

---

프로세서 유형	Intel Xeon E5 시리즈 프로세서 2 개
프로세서 소켓	LGA 2011 2 개

---

### 시스템 칩셋

---

플랫폼 컨트롤러 허브	Intel X79
네트워크 컨트롤러	Intel i350-BT2
비디오 컨트롤러	Aspeed AST2300

---

### 메모리

---

메모리 종류	DDR3 UDIMM, RDIMM, LRDIMM
메모리 모듈 소켓	DIMM 소켓 16 개
메모리 모듈 용량	2GB, 4GB, 8GB, 16GB 및 32GB RDIMM
최소 RAM	512MB UDIMM, 1GB RDIMM
최대 RAM	128GB UDIMM, 256GB RDIMM
메모리 채널 수 (CPU 당)	4 개 채널

---

### 저장 장치

---

PowerEdge C8220 단일 폭 컴퓨터 슬레드	<ul style="list-style-type: none"> <li>• 3Gb/s SATA 포트 4 개</li> <li>• 6Gb/s SATA 포트 2 개</li> <li>• 2.5 인치 SATA HDD 2 개</li> </ul>
PowerEdge C8220X 이중 폭 컴퓨터 슬레드	<ul style="list-style-type: none"> <li>• 3Gb/s SATA 포트 4 개</li> <li>• 6Gb/s SATA 포트 2 개</li> <li>• 2.5 인치 SATA HDD 2 개</li> <li>• 2.5 인치 SAS/SATA HDD 8 개 또는 3.5 인치 SAS/SATA HDD 4 개</li> <li>• 2.5 인치 핫플러그 SAS/SATA HDD 2 개 (PowerEdge C8220X, 전면 액세스 2.5 인치 핫플러그 하드 드라이브 포함)</li> </ul>

---

## 컴퓨터 슬레드 사양 (슬레드당) (계속)

---

### 그래픽 카드

---

PowerEdge C8220X 이중 폭 컴퓨터 슬레드	GPGPU/MIC 포함 PowerEdge C8220X <ul style="list-style-type: none"><li>• NVIDIA Tesla M2090</li><li>• NVIDIA Tesla K20</li><li>• Intel Xeon Phi 5110P</li></ul>
-------------------------------	--

---

### 확장 슬롯

---

PowerEdge C8220 단일 폭 컴퓨터 슬레드	<ul style="list-style-type: none"><li>• x16 PCI Express 2.0 슬롯 1 개</li><li>• x8 메자닌 슬롯 1 개</li></ul>
PowerEdge C8220X 이중 폭 컴퓨터 슬레드	<ul style="list-style-type: none"><li>• x8 PCI Express 3.0 슬롯 2 개 (x16 커넥터 유형)</li><li>• x8 메자닌 슬롯 1 개</li></ul>
GPGPU/MIC 이중 폭 포함 PowerEdge C8220X 컴퓨터 슬레드	<ul style="list-style-type: none"><li>• 단일 라이저를 통한 x16 PCI Express 3.0 슬롯 1 개</li><li>• 케이블을 통한 x16 PCI Express 3.0 슬롯 1 개</li><li>• x8 메자닌 슬롯 1 개</li></ul>

---

### 인터페이스

---

BMC 관리 포트	1 개 (전면)
NIC	1Gb NIC 포트 2 개
직렬	1 개 (전면)
VGA	1 개 (전면)
USB	2 개 (전면)
UID LED	1 개 (전면)

---

### 전력

---

배터리	
시스템 배터리	CR 2032 3.0V 리튬 이온 코인 셀
RAID 배터리 (선택 사양)	3.7V 리튬 이온 배터리 팩

---

## 스토리지 슬레드 사양 (슬레드당)

---

### HDD 슬레드 구성

---

이중 포트 모드 (중복)	표준 캐리어
단일 포트 모드 (비중복)	<ul style="list-style-type: none"><li>표준 캐리어</li><li>플렉시블 캐리어</li><li>확장 캐리어</li></ul>
확장 모드 (비조닝) 존 2 개 / 존 4 개)	확장 캐리어

---

### 저장 장치

---

표준 캐리어	3.5 인치 SAS/SATA/SSD HDD 12 개
플렉시블 캐리어	2.5 인치 SAS/SATA/SSD HDD 12 개
확장 캐리어	2.5 인치 SSD HDD 24 개

---

### 인터페이스

---

미니 SAS	4 개 (전면)
--------	----------

---

---

## 전원 슬레드 사양 (슬레드당)

---

### 인터페이스

---

전원 LED	2 개 (전면)
전원 커넥터	DC 커넥터 2 개 (12V 및 접지)

---

### 전원 공급 장치 모듈 (전원 공급 장치당)

---

와트	1400W
커넥터	IEC C20
전압	200–240V AC, 50–60Hz, 9A( 최대 )
열 손실	1205BTU/hr 최대
최대 유입 전류	일반적인 라인 상태 및 전체 시스템의 작동 범위에서는 10ms 이하인 동안 유입 전류가 전원 공급 장치당 25A 에 달합니다.

---

## 서버 인클로저 사양

---

### 실제

---

높이	17.5cm(6.9 인치)
너비	44.7cm(17.6 인치)
깊이	81.3cm(32.0 인치)
무게 ( 비어 있을 경우 )	17.93kg(39.53lbs)

---

### 슬레드 지원

---

내부 전원이 있는 서버 인클로저	<ul style="list-style-type: none"><li>• C8220 단일 폭 컴퓨트 슬레드 최대 8 개</li><li>• C8220X 이중 폭 컴퓨트 슬레드 최대 4 개</li><li>• C8000XD 스토리지 슬레드 최대 4 개</li><li>• 전원 슬레드 최대 2 개</li></ul>
외부 PDU 가 있는 서버 인클로저	<ul style="list-style-type: none"><li>• C8220 단일 폭 컴퓨트 슬레드 최대 10 개</li><li>• C8220X 이중 폭 컴퓨트 슬레드 최대 5 개</li><li>• C8000XD 스토리지 슬레드 최대 5 개</li></ul>

---

### 인터페이스

---

NIC	10/100Mbit NIC 포트 2 개 ( 전면 1 개 , 후면 1 개 )
직렬	1 개 ( 후면 )
전원 / 이벤트 LED	2 개 ( 전면 1 개 , 후면 1 개 )
UID LED	2 개 ( 전면 1 개 , 후면 1 개 )
이더넷 작동 LED	1 개 ( 전면 )
열감지 센서	1 개 ( 전면 )
시스템 팬 모듈 고장 LED	3 개 ( 후면 )

---

### 시스템 팬

---

팬 유형	팬 모듈 3 개 ( 모듈당 팬 2 개 / 총 6 개 )
------	--------------------------------

---

### 전력

---

DC 전원 공급 장치

전압

외부 PDU

6 개의 PSU 가 채워진 최대 12V DC, 50-60Hz, 680A

---

## 환경적 특성

---

**주 :** 특정 시스템 구성을 위한 환경 측정에 대한 자세한 내용은 [dell.com/environmental\\_datasheets](http://dell.com/environmental_datasheets) 를 참조하십시오 .

### 온도

작동	10°C ~ 35°C(50°F ~ 95°F), 시간당 최고 10°C의 온도 변화 기준
보관	-40°C ~ 65°C(40°F ~ 149°F), 시간당 최고 20°C의 온도 변화 기준

### 상대 습도

작동	20%~80%( 비응축 ), 시간당 최고 10%의 습도 변화 기준
보관	5% ~ 95%( 비응축 )

### 최대 진동

작동	5 ~ 350Hz 에서 0.26Grms
보관	10 ~ 500Hz 에서 15 분 동안 1.87Grms

### 최대 충격

작동	작동 방향으로 2.6ms 동안 (+) z 축으로 31G의 충격 펄스 1 회 ( 시스템 각 면에 1 회의 펄스 )
보관	최대 2ms 동안 (+/-) x, y, z 축으로 71G의 연속 충격 펄스 6 회 ( 시스템 각 면에 1 회의 펄스 ) 속도 변화가 597cm/ 초 (235 인치 / 초 ) 인 27G 구형파 펄스의 (+/-) x, y, z 축으로 연속 충격 펄스 6 회 ( 시스템 각 면에 1 회의 펄스 )

### 고도

작동	-16 ~ 3,048m(-50 ~ 10,000ft.) <b>주 :</b> 900m 이상의 고도에서는 최대 작동 온도가 300m 당 1°C 씩 감소됩니다 .
보관	-16 ~ 10,600m(-50 ~ 35,000ft.)

### 공기 중 오염 물질 수준

등급	ISA-S71.04-1985 의 규정에 따른 G1
----	-----------------------------



Printed in China  
中国印制  
Dicetak di China  
중국에서 인쇄  
Printed on Recycled Paper

[www.dell.com](http://www.dell.com) | [support.dell.com](http://support.dell.com)



OR8CH0A04





Printed in Malaysia  
马来西亚印制  
Dicetak di Malaysia  
말레이시아에서 인쇄

[www.dell.com](http://www.dell.com) | [support.dell.com](http://support.dell.com)



0R8CH0A04